

2003-04 ENGINE COOLING

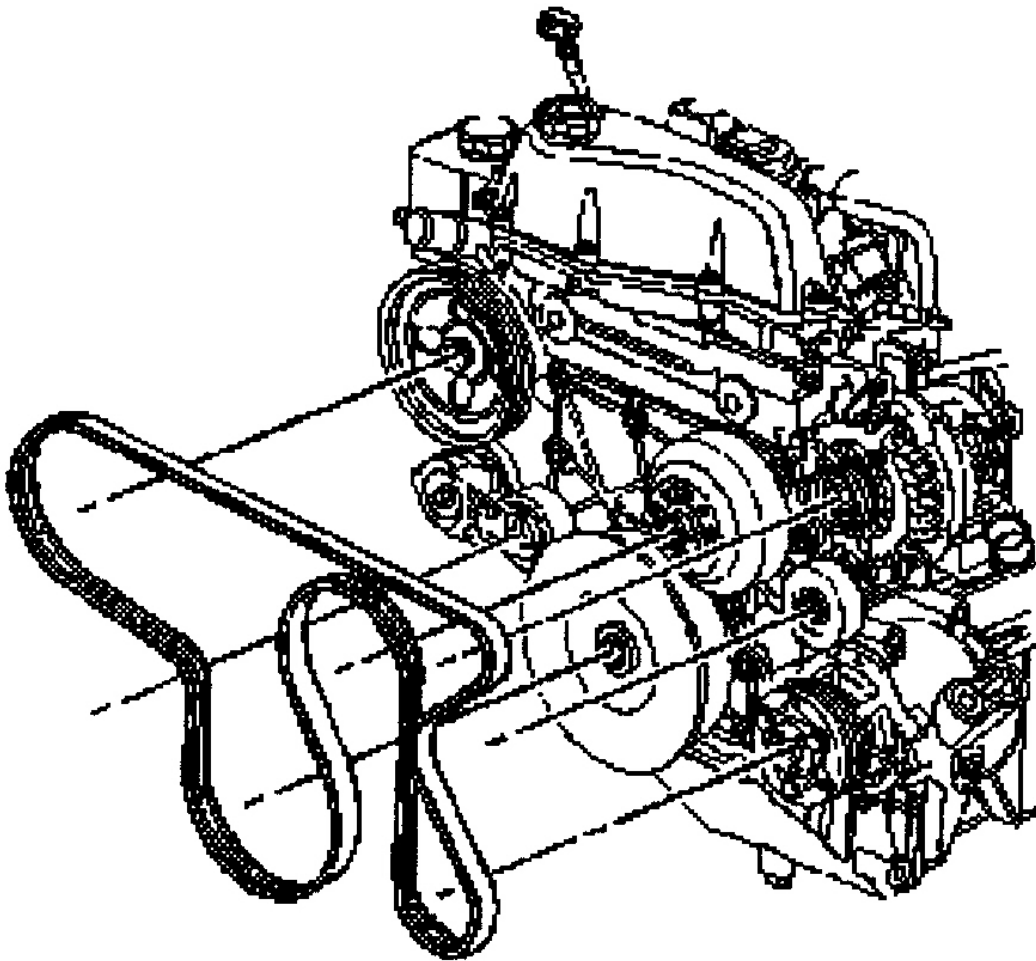
Specifications & Drive Belt Routing - Ascender

COOLING SYSTEM BLEEDING

Cooling system bleeding procedure for Ascender is not available from the manufacturer.

DRIVE BELT ROUTING

For drive belt routing, see [Fig. 1](#) .



G00323693

2004 Isuzu Ascender LS

2003-04 ENGINE COOLING Specifications & Drive Belt Routing - Ascender

DRIVE BELT ADJUSTMENTS

A/C COMPRESSOR, ALTERNATOR & POWER STEERING BELT

Drive belt adjustment is not required as Ascender is equipped with an automatic drive belt tensioner. Inspect the belt for cracks and damage. If the belt is cracked or damaged, replace it.

SPECIFICATIONS

COOLING SYSTEM

COOLING SYSTEM SPECIFICATIONS

Application	Specification
Coolant Capacity (Total)	
4.2L	15.2 Qts. (14.4)
5.3L	17.9 Qts. (17.0)
Coolant Replacement Interval	3 0,000 Miles
Radiator Cap Valve Opening Pressure	(1)
Refill	(1)
Thermostat Valve Opening Temperature	(1)
(1) Information is not available from manufacturer	