

2004 Isuzu Ascender LS

2004 ACCESSORIES & EQUIPMENT Wiring System (Component Locator 2 Of 2) - Ascender

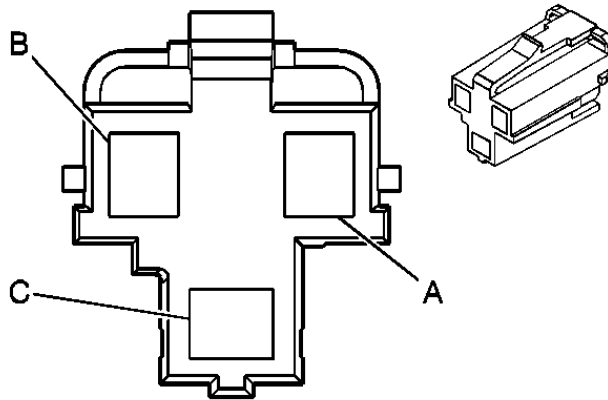
2004 ACCESSORIES & EQUIPMENT

Wiring System (Component Locator 2 Of 2) - Ascender

COMPONENT LOCATOR

POWER AND GROUNDING CONNECTOR END VIEWS

Accessory Power Outlet Connector End View - Console



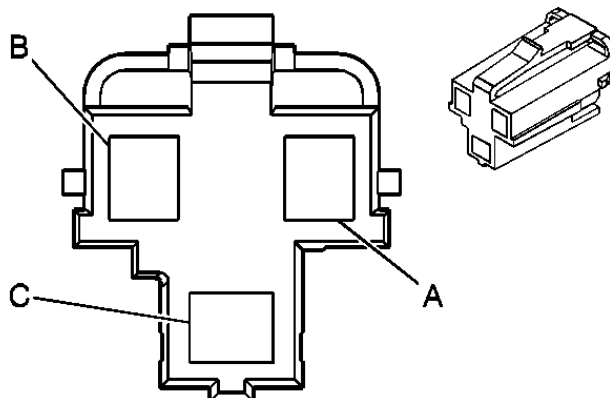
Connector Part Information		• 12176446 • 3-Way F Metri-Pack 280 Series Flexlock (BLK)	
Pin	Wire Color	Circuit No.	Function
A	ORN	1040	Battery Positive Voltage
B	-	-	Not Used
C	BLK	2250	Ground

Accessory Power Outlet Connector End View - Front



2004 Isuzu Ascender LS

2004 ACCESSORIES & EQUIPMENT Wiring System (Component Locator 2 Of 2) - Ascender

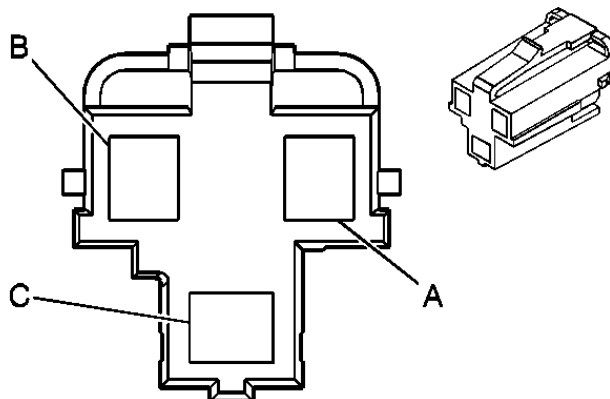


Connector Part Information

- 12176446
- 3-Way F Metri-Pack 280 Series Flexlock (BLK)

Pin	Wire Color	Circuit No.	Function
A	ORN	1040	Battery Positive Voltage
B	-	-	Not Used
C	BLK	2250	Ground

Accessory Power Outlet Connector End View - Rear



Connector Part Information

- 12176446
- 3-Way F Metri-Pack 280 Series Flexlock (BLK)

Pin	Wire Color	Circuit No.	Function
A	ORN	2040	Battery Positive Voltage
B	-	-	Not Used

2004 Isuzu Ascender LS

2004 ACCESSORIES & EQUIPMENT Wiring System (Component Locator 2 Of 2) - Ascender

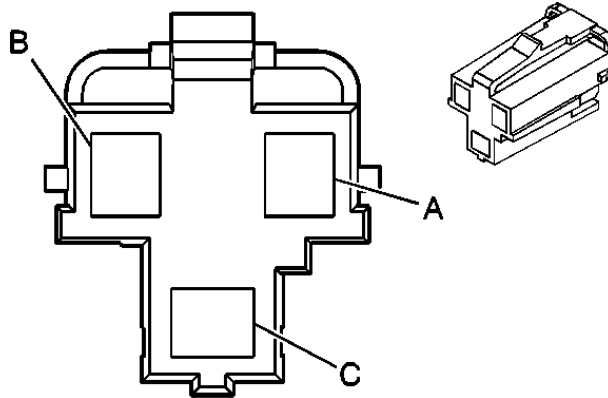
C

BLK

1650

Ground

Cigar Lighter Connector End View



Connector Part Information

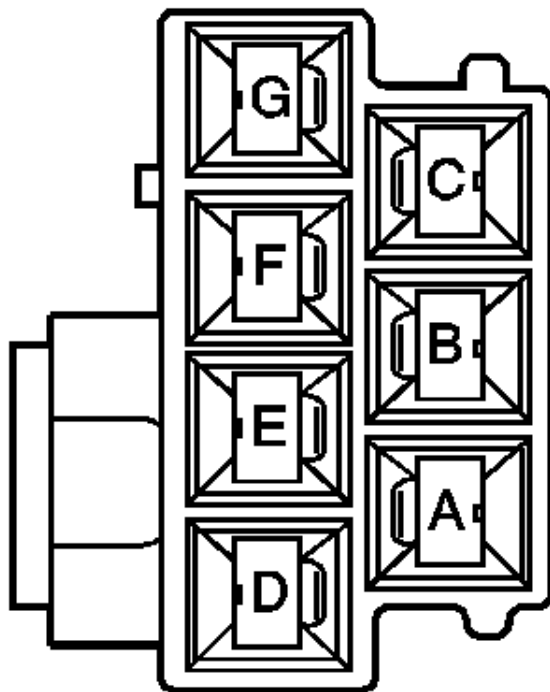
- 12176445
- 3-Way F Metri-Pack 280 Series Flexlock (NAT)

Pin	Wire Color	Circuit No.	Function
A	ORN	640	Battery Positive Voltage
B	-	-	Not Used
C	BLK	2250	Ground

Ignition Switch Connector End View

2004 Isuzu Ascender LS

2004 ACCESSORIES & EQUIPMENT Wiring System (Component Locator 2 Of 2) - Ascender



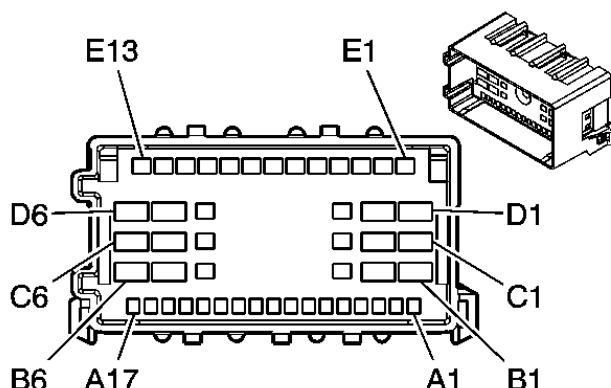
Connector Part Information		<ul style="list-style-type: none"> • 19900853490 • 7-Way F (BLK) 	
Pin	Wire Color	Circuit No.	Function
A	BRN	4	Accessory Voltage
B	RED	342	Battery Positive Voltage
C	PNK	3	Ignition 1 Voltage
D	YEL	5	Crank Voltage
E	WHT	1390	Acc/Run/Crank Voltage
F	RED/BLK	142	Battery Positive Voltage
G	ORN	300	Ign 3 Voltage

C201 Connector End View



2004 Isuzu Ascender LS

2004 ACCESSORIES & EQUIPMENT Wiring System (Component Locator 2 Of 2) - Ascender



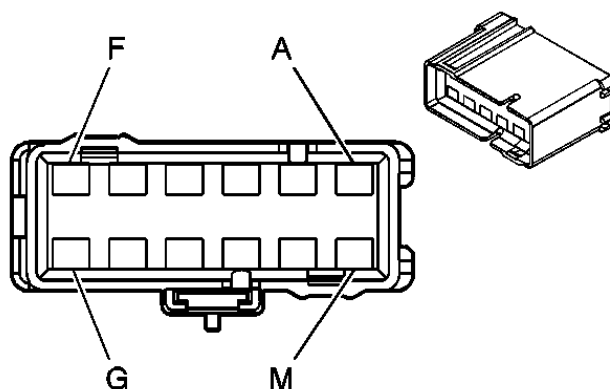
Connector Part Information		<ul style="list-style-type: none"> • 12077822 • 48-Way M Metri-Pack 280 (BLK) 	
Pin	Wire Color	Circuit No.	Function
A1	-	-	Not Used
A2	PNK	639	Ignition 1 Voltage
A3	BRN	2309	Front Park Lamps Supply Voltage
A4	LT GRN	1427	Right Turn Signal Switch Signal
A5	DK GRN	1428	Left Turn Signal Switch Signal
A6	BLK	58	Right Cornering Lamp Supply Voltage
A7	ORN	57	Left Cornering Lamp Supply Voltage
A8	-	-	Not Used
A9	ORN	1816	DIC Set/Reset Switch Signal
A10	DK GRN/ WHT	1358	DIC Switch Signal
A11	WHT	111	Hazard Switch Signal
A12	LT GRN	1011	Remote Radio Control Signal
A13	DK BLU	894	DIC Toggle Switch Signal
A14	YEL	1327	DIC Fuel Signal
A15	BRN/WHT	230	Instrument Panel Lamps Dimming Control
A16	BLK	2250	Ground
A17	-	-	Not Used
B1-B2	-	-	Not Used
B3	WHT	2283	Rear Wiper/Washer Switch Supply Voltage
B4	-	-	Not Used
B5	RED	142	Battery Positive Voltage
B6	BRN	4	Accessory Voltage
C1	YEL	5	Crank Voltage

2004 Isuzu Ascender LS

2004 ACCESSORIES & EQUIPMENT Wiring System (Component Locator 2 Of 2) - Ascender

C2	PPL	1132	DLC Class 2 Serial Data
C2	RED/WHT	812	12-Volt Reference
C3	YEL	710	Class 2 Serial Data
C4	PNK	1020	Off/Run/Crank Voltage
C4	BLK	1835	Security System Sensor Low Reference
C5	WHT	1390	Off/Run/Crank Voltage
C6	PNK	3	Ignition 1 Voltage
D1	ORN	300	Ignition 3 Voltage
D2	RED	342	Battery Positive Voltage
D3	ORN	1140	Battery Positive Voltage
D3	YEL	1836	Security System Sensor Signal
D4	BLK	28	Horn Relay Control
D5-D6	-	-	Not Used
E1	-	-	Not Used
E2	BLK/WHT	751	Ground
E3	GRY/BLK	87	Cruise Control Resume/Accel Switch Signal
E4	PNK	94	Windshield Washer Switch Signal
E5	DK BLU	477	Windshield Wiper Switch Signal 1
E6	LT GRN	80	Key In Ignition Switch Signal
E7	YEL	1996	Remote Shift Selector Signal
E8	GRY	478	Windshield Wiper Switch Signal 2
E9	GRY	397	Cruise Control On Switch Signal
E10	DK BLU	84	Cruise Control Set/Coast Switch Signal
E11	YEL	307	Headlamp Switch Flash to Pass Signal
E12	LT GRN	11	Headlamp High Beam Supply Voltage
E13	BRN	341	Ignition 3 Voltage

Splice Pack SP201 Connector End View



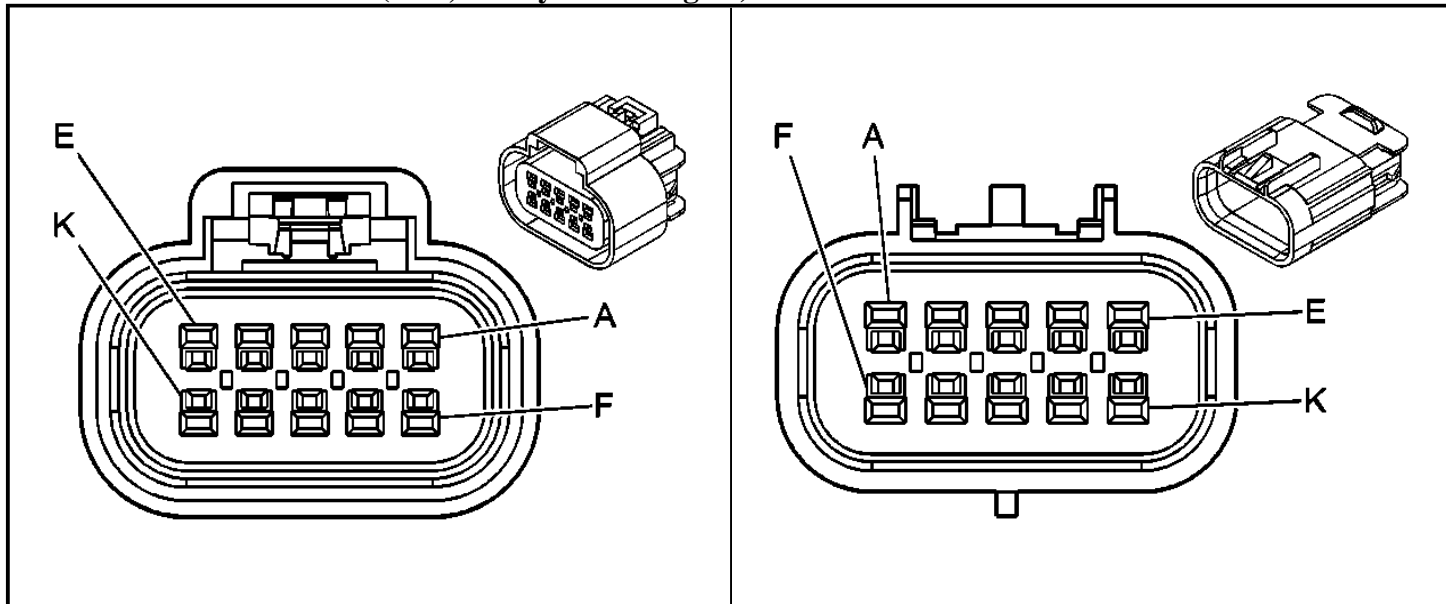
2004 Isuzu Ascender LS

2004 ACCESSORIES & EQUIPMENT Wiring System (Component Locator 2 Of 2) - Ascender

Connector Part Information		<ul style="list-style-type: none"> • 12191928 • 12-Way F Metri-Pack 280 Series Flexlock (BLK) 	
Pin	Wire Color	Circuit No.	Function
A	BLK	2250	Ground
B	BLK	2250	Ground
C	BLK	2250	Ground
D	-	-	Not Used
E	BLK	2250	Ground
F	BLK	2250	Ground
G	BLK	2250	Ground
H	BLK	2250	Ground
J	BLK	2250	Ground
K	BLK	2250	Ground
L	BLK	2250	Ground
M	BLK	2250	Ground

INLINE HARNESS CONNECTOR END VIEWS

C100 Connector End View (LL8, Six Cylinder Engine)



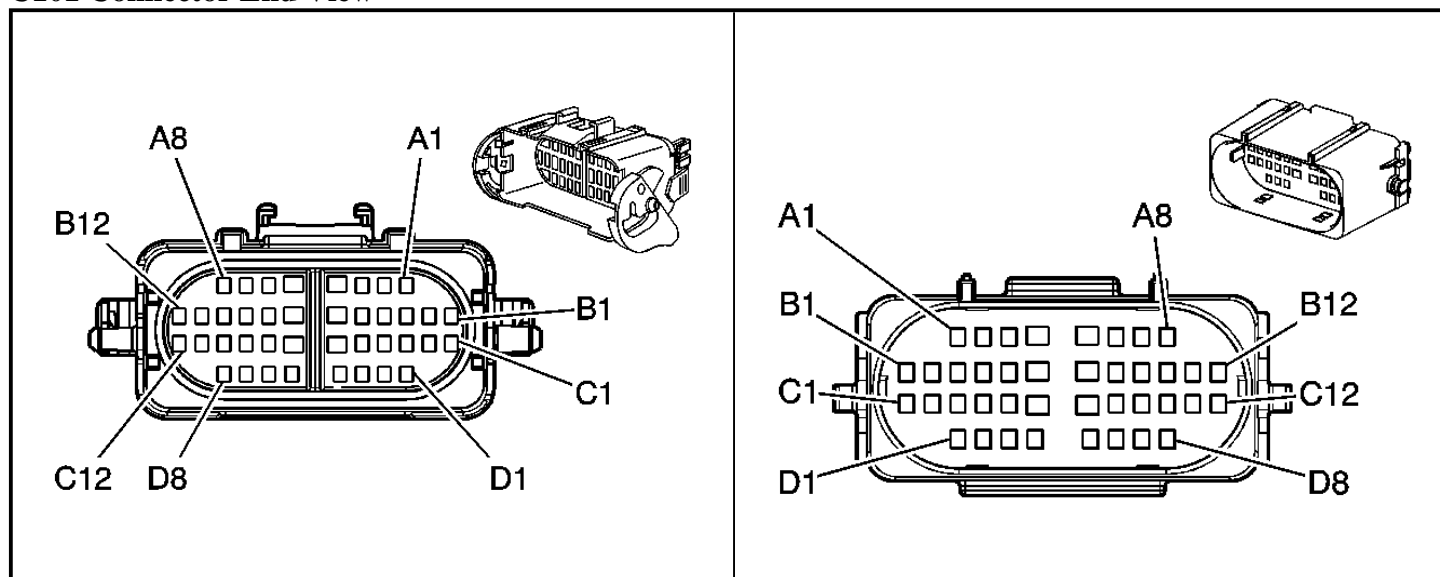
Connector Part Information		<ul style="list-style-type: none"> • 15326842 • 10-Way F 150 Series Sealed (BLK) 		Connector Part Information		<ul style="list-style-type: none"> • 15326847 • 10-Way M 150 Series Sealed (BLK) 	
Pin	Wire Color	Circuit No.	Function	Pin	Wire Color	Circuit No.	Function
A	-	-	Not Used	A	PNK/WHT	1101	Damping Lift/Dive Signal

2004 Isuzu Ascender LS

2004 ACCESSORIES & EQUIPMENT Wiring System (Component Locator 2 Of 2) - Ascender

B	RED/BLK	380	A/C Refrigerant Pressure Sensor Signal	B	RED/BLK	380	A/C Refrigerant Pressure Sensor Signal
C	GRY	597	5-Volt Reference	C	GRY	597	5-Volt Reference
D	PNK	439	Ignition 1 Voltage	D	PNK	439	Ignition 1 Voltage
E	BLK	2751	Low Reference	E	BLK	2751	Low Reference
F	GRY	2700	5-Volt Reference	F	GRY	2700	5-Volt Reference
G	LT GRN	2278	A/C Compressor Gas Overtemp Switch Signal	G	LT GRN	2278	A/C Compressor Gas Overtemp Switch Signal
H	TAN	472	IAT Sensor Signal	H	TAN	472	IAT Sensor Signal
J	BLK	2760	Low Reference	J	BLK	2760	Low Reference
K	-	-	Not Used	K	-	-	Not Used

C101 Connector End View



Connector Part Information		<ul style="list-style-type: none"> • 15336418 • 38-Way F GT 150 280 Sealed 4.0 5.2 (BLK) 		Connector Part Information		<ul style="list-style-type: none"> • 15317380 • 38-Way M GT 150 280 Sealed 4.0 5.2 (BLK) 	
Pin	Wire Color	Circuit No.	Function	Pin	Wire Color	Circuit No.	Function
A1	LT GRN/BLK	431	5-Volt Reference	A1	LT GRN/BLK	431	5-Volt Reference
A2	BRN/WHT	1555	Encoder Signal	A2	BRN/WHT	1555	Encoder Signal
A3	DK GRN/WHT	817	Vehicle Speed Signal	A3	DK GRN/WHT	817	Vehicle Speed Signal
A4	DK BLU	47	Trailer Auxiliary Supply Voltage	A4	DK BLU	47	Vehicle Speed Signal
A5	BLK	1552	Motor Control A	A5	BLK	1552	Motor Control A
A6	BRN/WHT	1571	Traction Control Switch Signal	A6	BRN/WHT	1571	Traction Control Switch Signal

2004 Isuzu Ascender LS

2004 ACCESSORIES & EQUIPMENT Wiring System (Component Locator 2 Of 2) - Ascender

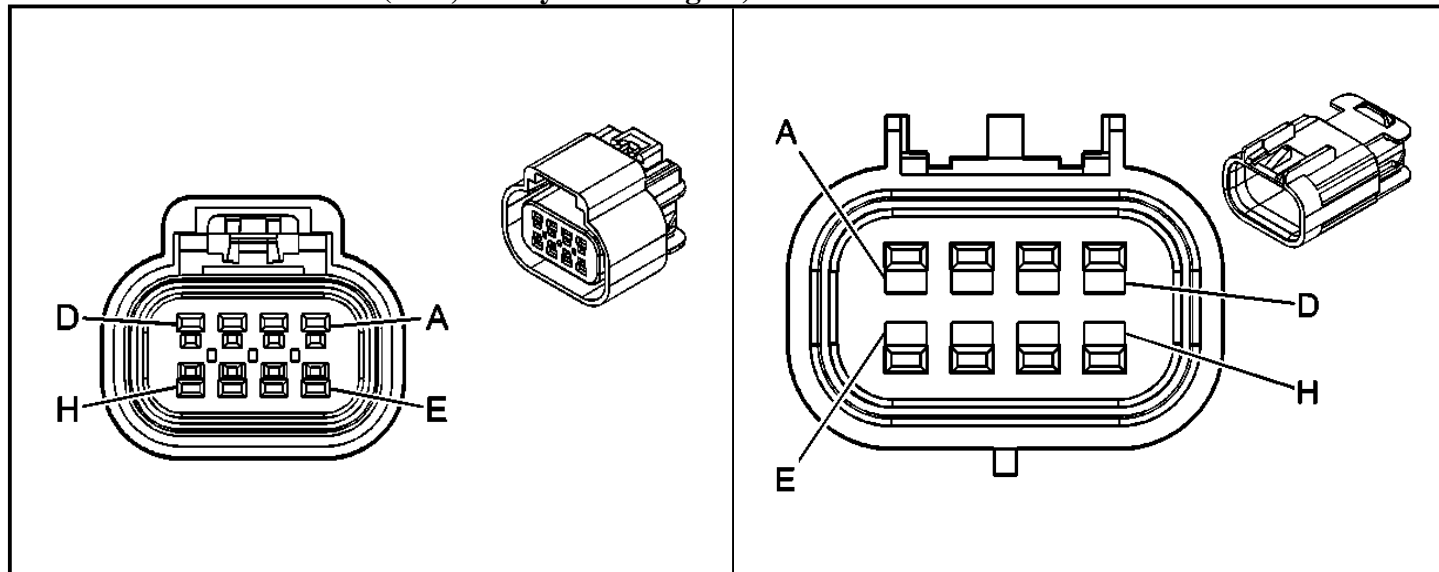
A7	LT GRN	24	Backup Lamp Supply Voltage	A7	LT GRN	24	Backup Lamp Supply Voltage
A8	BLK/WHT	1554	Low Reference	A8	BLK/WHT	1554	Low Reference
B1	TAN	1569	Lock Solenoid Control (NP8 only)	B1	TAN	1569	Lock Solenoid Control (NP8 only)
B2	LT BLU	1296	Axle Actuator - Control (NP8 only)	B2	LT BLU	1296	Axle Actuator - Control (NP8 only)
B3	LT BLU	2221	Signal High - Rear	B3	LT BLU	2221	Signal High - Rear
B4	DK GRN	2222	Signal Low - Rear	B4	DK GRN	2222	Signal Low - Rear
B5	-	-	Not Used	B5	-	-	Not Used
B6	RED	1553	Motor Control B	B6	RED	1553	Motor Control B
B7	-	-	Not Used	B7	-	-	Not Used
B8	YEL	400	Signal High - Front	B8	YEL	400	Signal High - Front
B9	PPL	401	Signal Low - Front	B9	PPL	401	Signal Low - Front
B10-B11	-	-	Not Used	B10-B11	-	-	Not Used
B12	BRN	2109	Trailer Park Lamps Supply Voltage	B12	BRN	2109	Trailer Park Lamps Supply Voltage
C1	-	-	Not Used	C1	-	-	Not Used
C2	YEL/BLK	1872	Vehicle Speed Signal	C2	YEL/BLK	1872	Vehicle Speed Signal
C3	LT BLU	1122	ABS/TCS Class 2 Serial Data	C3	LT BLU	1122	ABS/TCS Class 2 Serial Data
C4	GRY	349	Discriminating Sensor - Left Signal	C4	GRY	349	Discriminating Sensor - Left Signal
C5	YEL	354	Discriminating Sensor - Signal	C5	YEL	354	Discriminating Sensor -- Signal
C6-C8	-	-	Not Used	C6-C8	-	-	Not Used
C9	DK GRN	890	Fuel Tank Pressure Sensor Signal	C9	DK GRN	890	Fuel Tank Pressure Sensor Signal
C10	GRY	2709	5-Volt Reference	C10	GRY	2709	5-Volt Reference
C11	BLK	2759	Low Reference	C11	BLK	2759	Low Reference
C12	ORN/BLK	510	Low Reference (LL8 6 Cylinder Engine)	C12	ORN/BLK	510	Low Reference (LL8 6 Cylinder Engine)
D1	PPL	1589	Fuel Level Sensor Signal - Primary	D1	PPL	1589	Fuel Level Sensor Signal - Primary
D2	LT BLU	832	Traction Control Active Signal	D2	LT BLU	832	Traction Control Active Signal
D3	WHT	1808	Service Traction Control Signal	D3	WHT	1808	Service Traction Control Signal
D4-D5	-	-	Not Used	D4-D5	-	-	Not Used
D6	YEL	1834	Forward Discriminating Sensor Signal	D6	YEL	1834	Forward Discriminating Sensor Signal
			Discriminating Sensor -				Discriminating Sensor -

2004 Isuzu Ascender LS

2004 ACCESSORIES & EQUIPMENT Wiring System (Component Locator 2 Of 2) - Ascender

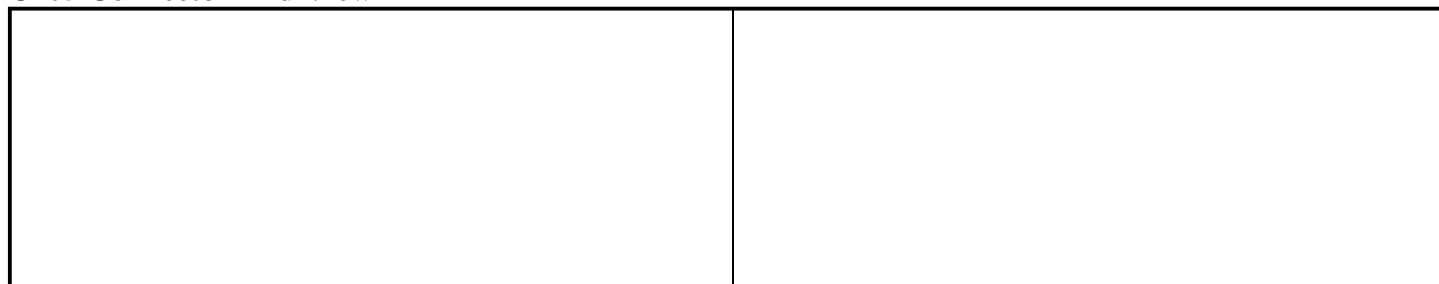
D7	DK GRN	1409	Right Signal	D7	DK GRN	1409	Right Signal
D8	-	-	Not Used	D8	-	-	Not Used

C104 Connector End View (LL8, Six Cylinder Engine)



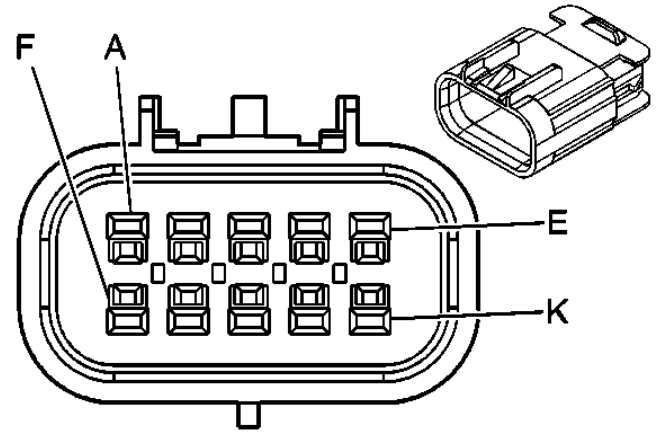
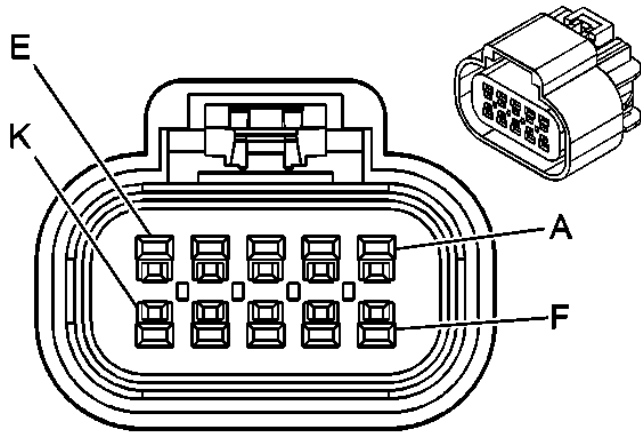
Connector Part Information		<ul style="list-style-type: none"> • 15326835 • 8-Way F 150 Sealed (BLK) 		Connector Part Information		<ul style="list-style-type: none"> • 15326840 • 8-Way M 150 Sealed (BLK) 	
Pin	Wire Color	Circuit No.	Function	Pin	Wire Color	Circuit No.	Function
A	PNK	439	Ignition 1 Voltage	A	PNK	439	Ignition 1 Voltage
B	LT BLU/BLK	844	Fuel Injector 4 Control	B	LT BLU/BLK	844	Fuel Injector 4 Control
C	BLK/WHT	845	Fuel Injector 5 Control	C	BLK/WHT	845	Fuel Injector 5 Control
D	YEL/BLK	846	Fuel Injector 6 Control	D	YEL/BLK	846	Fuel Injector 6 Control
E	-	-	Not Used	E	-	-	Not Used
F	BLK	1744	Fuel Injector 1 Control	F	BLK	1744	Fuel Injector 1 Control
G	LT GRN/BLK	1745	Fuel Injector 2 Control	G	LT GRN/BLK	1745	Fuel Injector 2 Control
H	PNK/BLK	1746	Fuel Injector 3 Control	H	PNK/BLK	1746	Fuel Injector 3 Control

C105 Connector End View



2004 Isuzu Ascender LS

2004 ACCESSORIES & EQUIPMENT Wiring System (Component Locator 2 Of 2) - Ascender



Connector Part Information

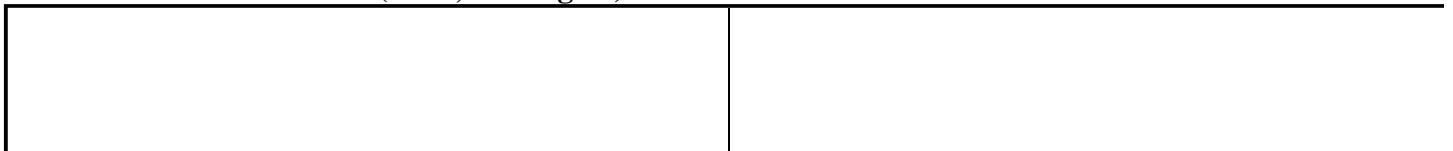
- 15326842
- 10-Way F 150 Sealed (BLK)

Connector Part Information

- 15326847
- 10-Way M 150 Sealed (BLK)

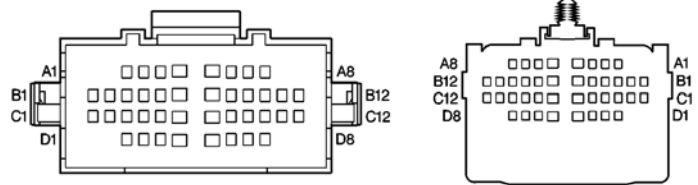
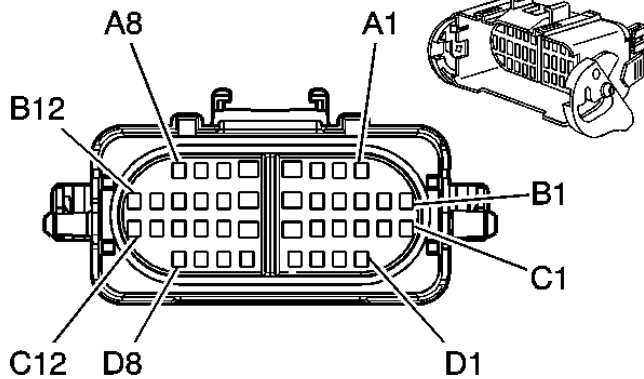
Pin	Wire Color	Circuit No.	Function	Pin	Wire Color	Circuit No.	Function
A	GRY	597	5-Volt Reference	A	GRY	597	5-Volt Reference
B	DK BLU	2364	Cooling Fan Speed Signal	B	DK BLU	2364	Cooling Fan Speed Signal
C	GRY	2365	Low Reference	C	GRY	2365	Low Reference
D	BRN	718	Low Reference	D	BRN	718	Low Reference
E	LT GRN/ BLK	735	Outside Air Temperature Sensor Signal	E	LT GRN/ BLK	735	Outside Air Temperature Sensor Signal
F	GRY/BLK	1596	Coolant Bypass Solenoid Control	F	GRY/BLK	1596	Coolant Bypass Solenoid Control
G	-	-	Not Used	G	-	-	Not Used
H	DK BLU	204	A/C Low Pressure Sensor Signal	H	DK BLU	-	A/C Low Pressure Sensor Signal
J	BLK/WHT	174	Low Washer Fluid Indicator Supply Voltage	J	BLK/WHT	174	Low Washer Fluid Indicator Supply Voltage
K	PNK/BLK	109	Hood Ajar Switch Signal	K	PNK/BLK	109	Hood Ajar Switch Signal

C107 Connector End View (LM4, V8 Engine)



2004 Isuzu Ascender LS

2004 ACCESSORIES & EQUIPMENT Wiring System (Component Locator 2 Of 2) - Ascender



Connector Part Information

- 15336418
- 38-Way F GT 150 280 Sealed 4.0 5.2 (BLK)

Connector Part Information

- 15317380
- 38-Way M GT 150 280 Sealed 4.0 5.2 (BLK)

Pin	Wire Color	Circuit No.	Function	Pin	Wire Color	Circuit No.	Function
A1	RED/WHT	440	Battery Positive Voltage	A1	RED/WHT	440	Battery Positive Voltage
A2	GRY	2365	Low Reference	A2	GRY	2365	Low Reference
A3	GRY	2709	5-Volt Reference	A3	GRY	2709	5-Volt Reference
A4-A7	-	-	Not Used	A4-A7	-	-	Not Used
A8	DK GRN	890	Fuel Tank Pressure Sensor Signal	A8	DK GRN	890	Fuel Tank Pressure Sensor Signal
B1	GRY	397	Cruise Control On Switch Signal	B1	GRY	397	Cruise Control On Switch Signal
B2-B7	-	-	Not Used	B2-B7	-	-	Not Used
B8	YEL	710	Class 2 Serial Data	B8	YEL	710	Class 2 Serial Data
B9	LT BLU	1320	CHMSL Supply Voltage/Stop Lamp Supply Voltage	B9	LT BLU	1320	CHMSL Supply Voltage/Stop Lamp Supply Voltage
B10	DK BLU	2364	Cooling Fan Speed Signal	B10	DK BLU	2364	Cooling Fan Speed Signal
B11	YEL/BLK	1827	Vehicle Speed Signal	B11	YEL/BLK	1827	Vehicle Speed Signal
B12	GRY/BLK	87	Cruise Control Resume/Accel Switch Signal	B12	GRY/BLK	87	Cruise Control Resume/Accel Switch Signal
C1	WHT	121	Engine Speed Signal	C1	WHT	121	Engine Speed Signal
C2	-	-	Not Used	C2	-	-	Not Used
C3	TAN	2759	Low Reference	C3	TAN	2759	Low Reference
C4	PNK	1020	Off/Run/Crank Voltage	C4	PNK	1020	Off/Run/Crank Voltage

2004 Isuzu Ascender LS

2004 ACCESSORIES & EQUIPMENT Wiring System (Component Locator 2 Of 2) - Ascender

C5	BRN/WHT	419	MIL Control	C5	BRN/WHT	419	MIL Control
C6-C7	-	-	Not Used	C6-C7	-	-	Not Used
C8	PNK	420	TCC Brake Switch/Cruise Control Release Signal	C8	PNK	420	TCC Brake Switch/Cruise Control Release Signal
C9	-	-	Not Used	C9	-	-	Not Used
C10	PNK	1589	Fuel Level Sensor Signal - Primary	C10	PNK	1589	Fuel Level Sensor Signal - Primary
C11	DK GRN	1049	ECM/PCM/VCM Class 2 Serial Data	C11	DK GRN	1049	ECM/PCM/VCM Class 2 Serial Data
C12	DK GRN/WHT	817	Vehicle Speed Signal	C12	DK GRN/WHT	817	Vehicle Speed Signal
D1	DK BLU	84	Cruise Control Set/Coast Switch Signal	D1	DK BLU	84	Cruise Control Set/Coast Switch Signal
D2	LT GRN	2278	A/C Compressor Status Signal	D2	LT GRN	2278	A/C Compressor Status Signal
D3	GRY	597	5-Volt Reference	D3	GRY	597	5-Volt Reference
D6	DK GRN	1433	Clutch Start Switch Signal	D6	DK GRN	1433	Clutch Start Switch Signal
D7	GRY/BLK	1694	4WD Low Signal	D7	GRY/BLK	1694	4WD Low Signal
D8	RED/WHT	440	Battery Positive Voltage	D8	RED/WHT	440	Battery Positive Voltage

C108 Connector End View (LM4, V8 Engine)

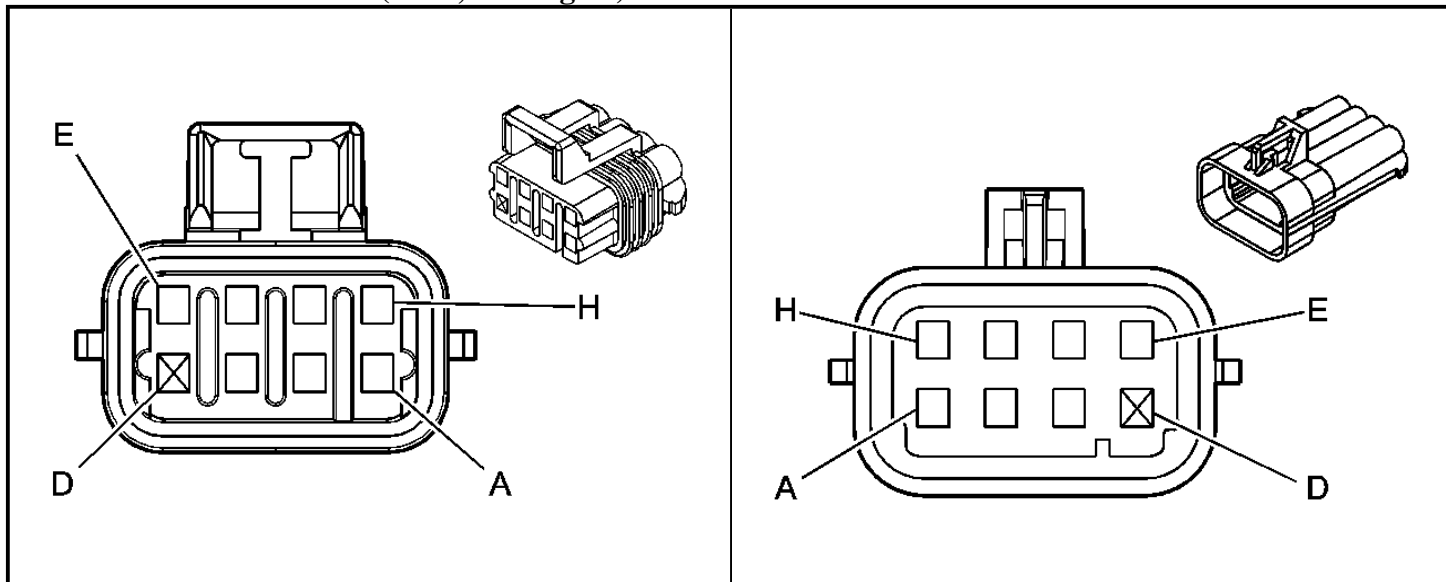
Connector Part Information		<ul style="list-style-type: none"> • 12047938 • 8-Way F MP 150 Sealed (LT GRY) 		Connector Part Information		<ul style="list-style-type: none"> • 12047933 • 8-Way M MP 150 Sealed (LT GRY) 	
Pin	Wire Color	Circuit No.	Function	Pin	Wire Color	Circuit No.	Function

2004 Isuzu Ascender LS

2004 ACCESSORIES & EQUIPMENT Wiring System (Component Locator 2 Of 2) - Ascender

A	BLK	550	Ground	A	BLK	550	Ground
B	ORN/WHT	2122	IC 2 Control	B	ORN/WHT	2122	IC 2 Control
C	DK GRN/WHT	2124	IC 4 Control	C	DK GRN/WHT	2124	IC 4 Control
D	-	-	Not Used	D	-	-	Not Used
E	BRN/WHT	2130	Low Reference	E	BRN/WHT	2130	Low Reference
F	LT BLU/WHT	2126	IC 6 Control	F	LT BLU/WHT	2126	IC 6 Control
G	PPL/WHT	2128	IC 8 Control	G	PPL/WHT	2128	IC 8 Control
H	PNK	1339	Ignition 1 Voltage	H	PNK	1339	Ignition 1 Voltage

C109 Connector End View (LM4, V8 Engine)



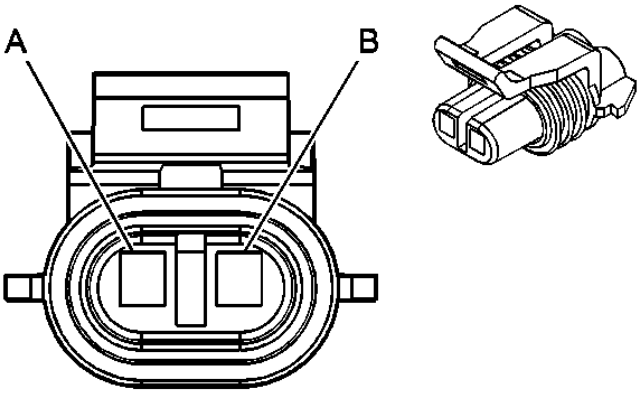
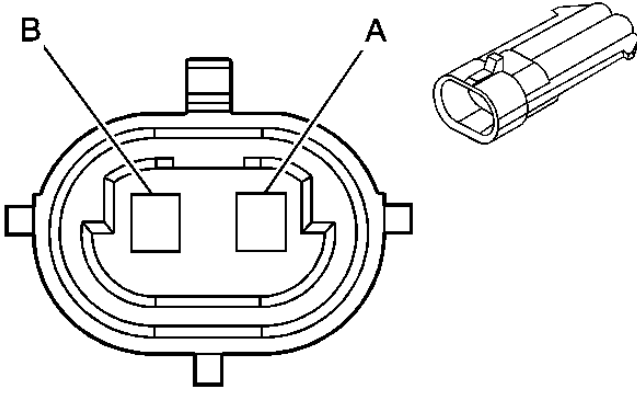
Connector Part Information		<ul style="list-style-type: none"> • 12047938 • 8-Way F MP 150 Sealed (LT GRY) 		Connector Part Information		<ul style="list-style-type: none"> • 12047933 • 8-Way M MP 150 Sealed (LT GRY) 	
Pin	Wire Color	Circuit No.	Function	Pin	Wire Color	Circuit No.	Function
A	BLK	550	Ground	A	BLK	550	Ground
B	ORN	2127	IC 7 Control	B	ORN	2127	IC 7 Control
C	DK GRN	2125	IC 5 Control	C	DK GRN	2125	IC 5 Control
D	-	-	Not Used	D	-	-	Not Used
E	BRN	2129	Low Reference	E	BRN	2129	Low Reference
F	LT BLU	2123	IC 3 Control	F	LT BLU	2123	IC 3 Control
G	PPL	2121	IC 1 Control	G	PPL	2121	IC 1 Control
H	PNK	1239	Ignition 1 Voltage	H	PNK	1239	Ignition 1 Voltage

C115 Connector End View (LM4, V8 Engine)

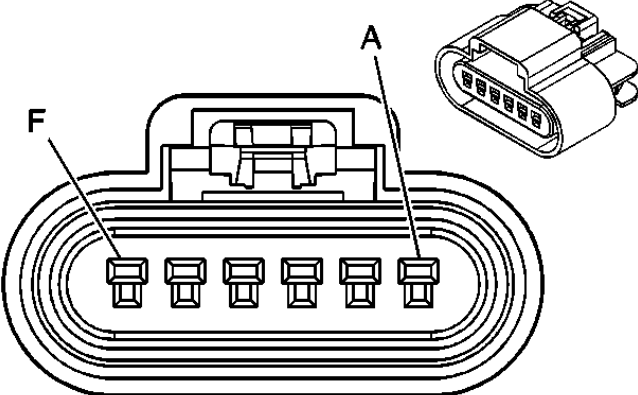
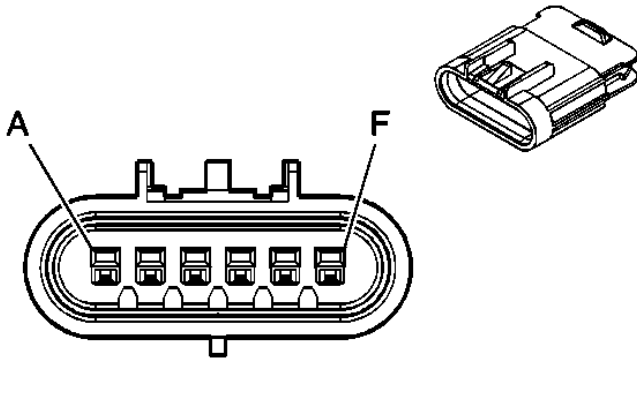


2004 Isuzu Ascender LS

2004 ACCESSORIES & EQUIPMENT Wiring System (Component Locator 2 Of 2) - Ascender

							
Connector Part Information		<ul style="list-style-type: none"> • 12052641 • 2-Way F MP 150 Sealed (BLK) 		Connector Part Information		<ul style="list-style-type: none"> • 12186216 • 2-Way M MP 150 Sealed (BLK) 	
Pin	Wire Color	Circuit No.	Function	Pin	Wire Color	Circuit No.	Function
A	DK BLU	496	Knock Sensor 1 Signal	A	DK BLU	496	Knock Sensor 1 Signal
B	LT BLU	1876	Knock Sensor 2 Signal	B	LT BLU	1876	Knock Sensor 2 Signal

C118 Connector End View

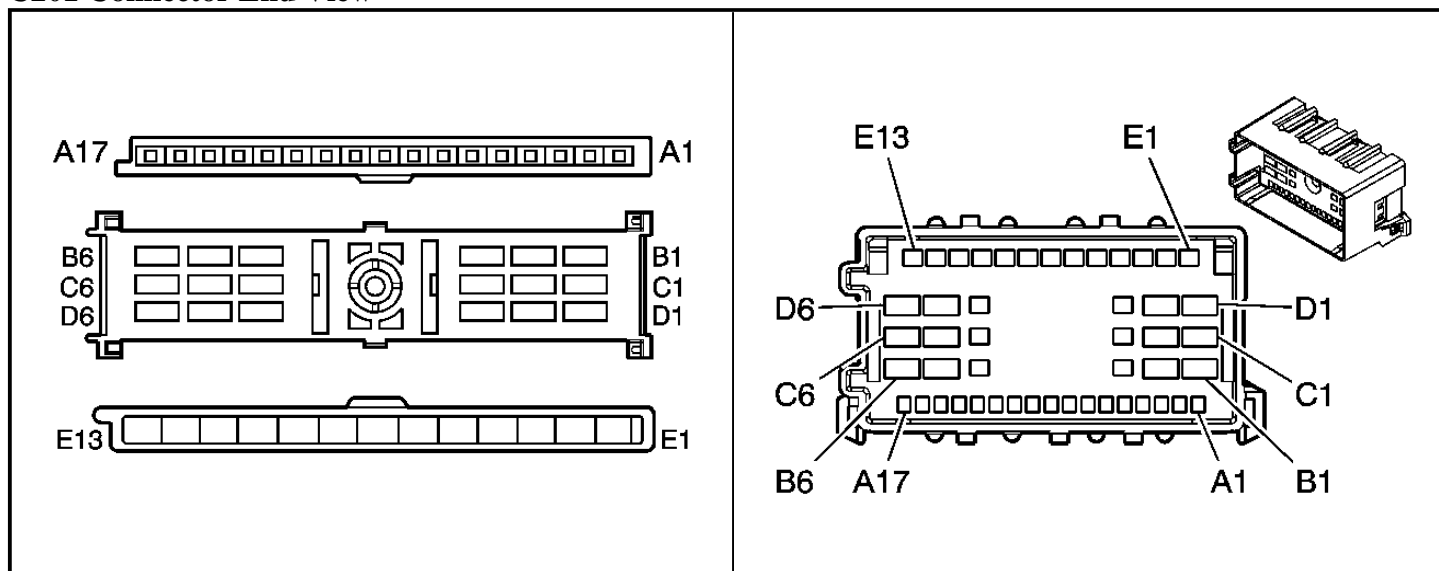
							
Connector Part Information		<ul style="list-style-type: none"> • 15326829 • 6-Way F Metri-Pack 150 Series (BLK) 		Connector Part Information		<ul style="list-style-type: none"> • 15326833 • 6-Way M Metri-Pack 150 Series (BLK) 	
Pin	Wire Color	Circuit No.	Function	Pin	Wire Color	Circuit No.	Function

2004 Isuzu Ascender LS

2004 ACCESSORIES & EQUIPMENT Wiring System (Component Locator 2 Of 2) - Ascender

A	BLK	250	Ground	A	BLK	250	Ground
B	WHT	2368	Cooling Fan Clutch Supply Voltage	B	WHT	2368	Cooling Fan Clutch Supply Voltage
C	GRY	2365	Low Reference	C	GRY/WHT	2365	Low Reference
D	DK BLU	2364	Cooling Fan Speed Signal	D	DK BLU	2364	Cooling Fan Speed Signal
E	GRY	597	5-Volt Reference	E	GRY	597	5-Volt Reference
F	-	-	Not Used	F	-	-	Not Used

C201 Connector End View



Connector Part Information

- 12047842
- 17-Way F Metri-Pack 150 Series (BLK)
- 12084183
- 18-Way F Metri-Pack 280, 630 Series (BLK)
- 12047840
- 13-Way F Metri-Pack 280 Series (GRY)

Connector Part Information

- 12077822
- 48-Way M Metri-Pack 150, 280, 630 Series (BLK)

Pin	Wire Color	Circuit No.	Function	Pin	Wire Color	Circuit No.	Function
A1	-	-	Not Used	A1	-	-	Not Used
A2	PNK	639	Ignition 1 Voltage	A2	PNK	639	Ignition 1 Voltage
A3	BRN	2309	Front Park Lamps Supply Voltage	A3	BRN	2309	Front Park Lamps Supply Voltage
A4	LT GRN	1427	Right Turn Signal Switch Signal	A4	LT GRN	1427	Right Turn Signal Switch Signal

2004 Isuzu Ascender LS

2004 ACCESSORIES & EQUIPMENT Wiring System (Component Locator 2 Of 2) - Ascender

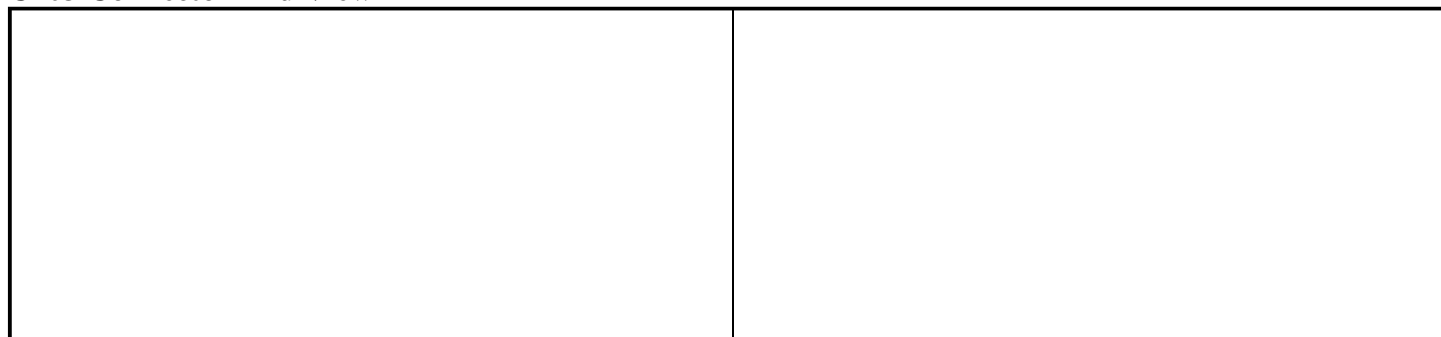
A5	DK GRN	1428	Left Turn Signal Switch Signal	A5	DK GRN	1428	Left Turn Signal Switch Signal
A6	BLK	58	Right Cornering Lamp Supply Voltage	A6	BLK	58	Right Cornering Lamp Supply Voltage
A7	ORN	57	Left Cornering Lamp Supply Voltage	A7	ORN	57	Left Cornering Lamp Supply Voltage
A8	-	-	Not Used	A8	-	-	Not Used
A9	ORN/BLK	1816	DIC Set/Reset Switch Signal	A9	ORN	1816	DIC Set/Reset Switch Signal
A10	PPL	1358	DIC Switch Signal	A10	DK GRN/WHT	1358	DIC Switch Signal
A11	WHT	111	Hazard Switch Signal	A11	WHT	111	Hazard Switch Signal
A12	LT GRN	1011	Remote Radio Control Signal	A12	LT GRN	1011	Remote Radio Control Signal
A13	DK BLU	894	DIC Toggle Switch Signal	A13	DK BLU	894	DIC Toggle Switch Signal
A14	YEL	1327	DIC Fuel Signal	A14	YEL	1327	DIC Fuel Signal
A15	BRN/WHT	230	Instrument Panel Lamps Dimming Control	A15	BRN/WHT	230	Instrument Panel Lamps Dimming Control
A16	BLK	2250	Ground	A16	BLK	2250	Ground
A17	-	-	Not Used	A17	-	-	Not Used
B1-B2	-	-	Not Used	B1-B2	-	-	Not Used
B3	PNK	2283	Rear Wiper/Washer Switch Supply Voltage	B3	WHT	2283	Rear Wiper/Washer Switch Supply Voltage
					WHT	2283	Rear Wiper/Washer Switch Supply Voltage
B4	-	-	Not Used	B4	-	-	Not Used
B5	RED	142	Battery Positive Voltage	B5	RED	142	Battery Positive Voltage
B6	BRN	4	Accessory Voltage	B6	BRN	4	Accessory Voltage
C1	YEL	5	Crank Voltage	C1	YEL	5	Crank Voltage
C2	RED/WHT	812	12-Volt Reference (w/o E09)	C2	RED/WHT	812	12-Volt Reference (w/o E09)
	WHT	1132	DLC Class 2 Serial Data (w/E09)		PPL	1132	DLC Class 2 Serial Data (w/E09)
C3	WHT	710	Class 2 Serial Data (w/E09)	C3	WHT	710	Class 2 Serial Data (w/E09)
C4	ORN/BLK	1835	Security System Sensor Low Reference (w/o E09)	C4	BLK	1835	Security System Sensor Low Reference (w/o E09)
	PNK	1020	Ignition 0 Voltage (w/E09)		PNK	1020	Ignition 0 Voltage (w/E09)
C5	WHT	1390	Off/Run/Crank Voltage	C5	WHT	1390	Off/Run/Crank Voltage
C6	PNK	3	Ignition 1 Voltage	C6	PNK	3	Ignition 1 Voltage

2004 Isuzu Ascender LS

2004 ACCESSORIES & EQUIPMENT Wiring System (Component Locator 2 Of 2) - Ascender

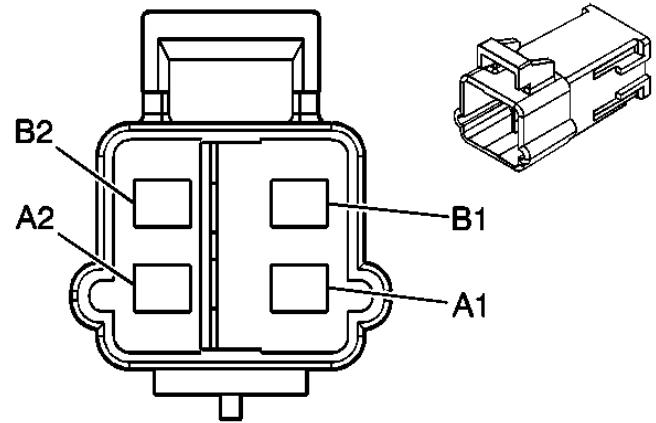
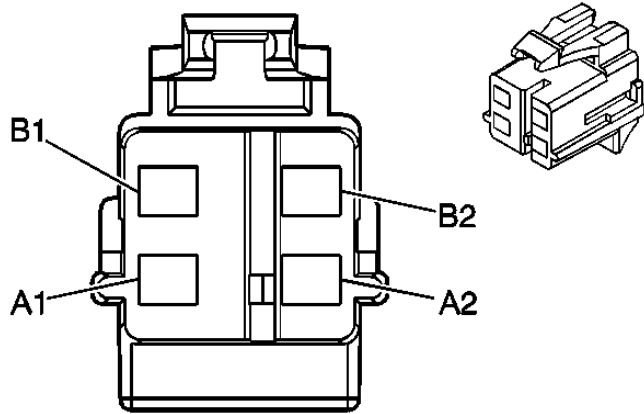
D1	ORN	300	Ignition 3 Voltage	D1	ORN	300	Ignition 3 Voltage
D2	RED/WHT	342	Battery Positive Voltage	D2	RED	342	Battery Positive Voltage
D3	ORN	1140	Battery Positive Voltage (w/o E09)	D3	ORN	1140	Battery Positive Voltage (w/o E09)
	YEL	1836	Security System Sensor Signal (w/E09)		YEL	1836	Security System Sensor Signal (w/E09)
D4	BLK/YEL	28	Horn Relay Control	D4	BLK	28	Horn Relay Control
				D4	BLK	28	Horn Relay Control
D5-D6	-	-	Not Used	D5-D6	-	-	Not Used
E1	-	-	Not Used	E1	-	-	Not Used
E2	TAN	751	Ground	E2	BLK/WHT	751	Ground
E3	GRY/BLK	87	Cruise Control Resume/Accel Switch Signal	E3	GRY/BLK	87	Cruise Control Resume/Accel Switch Signal
E4	PNK	94	Windshield Washer Switch Signal	E4	PNK	94	Windshield Washer Switch Signal
E5	DK BLU/WHT	477	Windshield Wiper Switch High Signal	E5	DK BLU	477	Windshield Wiper Switch High Signal
E6	LT GRN	80	Key In Ignition Switch Signal	E6	LT GRN	80	Key In Ignition Switch Signal
E7	YEL	1996	Remote Shift Selector Signal	E7	YEL	1996	Remote Shift Selector Signal
E8	GRY/WHT	478	Windshield Wiper Switch Supply Voltage	E8	GRY	478	Windshield Wiper Switch Supply Voltage
E9	GRY	397	Cruise Control On Switch Signal	E9	GRY	397	Cruise Control On Switch Signal
E10	DK BLU	84	Cruise Control Set/Coast Switch Signal	E10	DK BLU	84	Cruise Control Set/Coast Switch Signal
E11	YEL/BLK	307	Headlamp Switch Flash to Pass Signal	E11	YEL	307	Headlamp Switch Flash to Pass Signal
E12	LT GRN	11	Headlamp High Beam Supply Voltage	E12	LT GRN	11	Headlamp High Beam Supply Voltage
E13	BRN	341	Ignition 3 Voltage	E13	BRN	341	Ignition 3 Voltage

C203 Connector End View



2004 Isuzu Ascender LS

2004 ACCESSORIES & EQUIPMENT Wiring System (Component Locator 2 Of 2) - Ascender



Connector Part Information

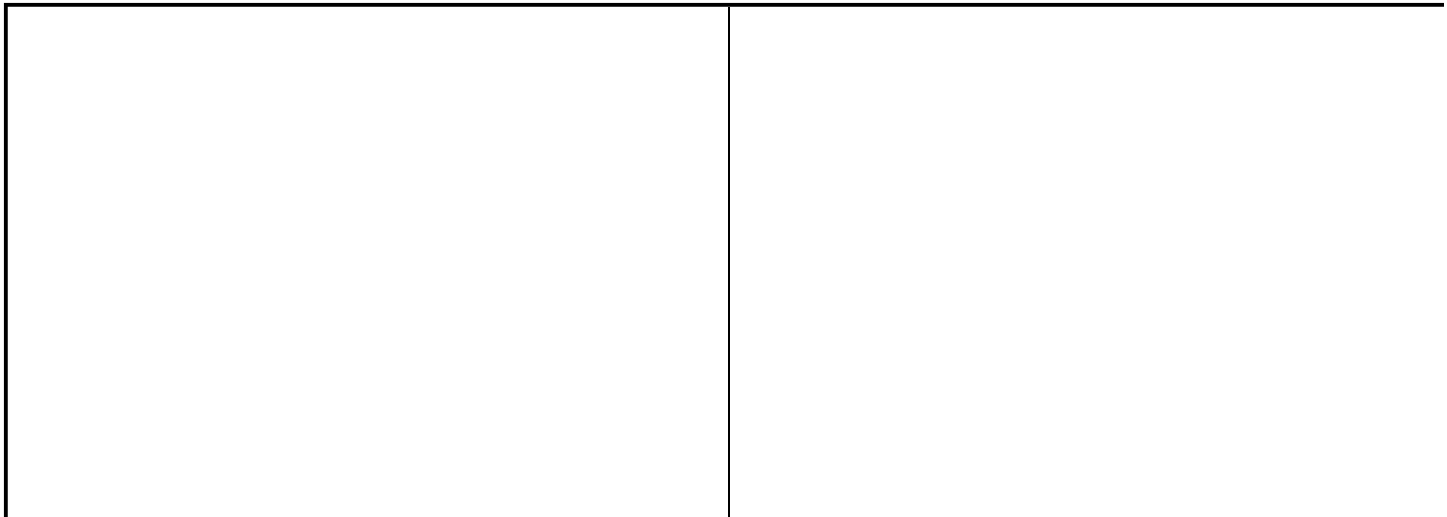
- 15304974
- 4-Way F Metri-Pack 280 Series (YEL)

Connector Part Information

- 12191740
- 4-Way M Metri-Pack 280 Series (YEL)

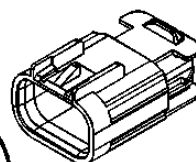
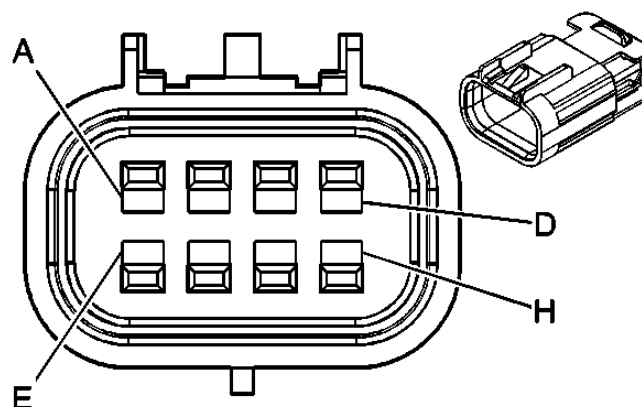
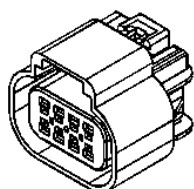
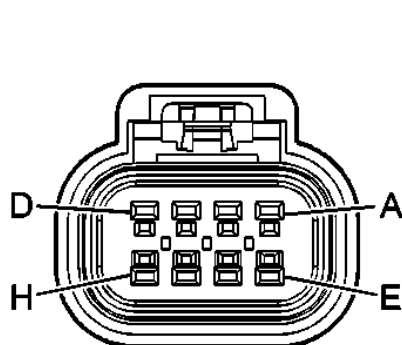
Pin	Wire Color	Circuit No.	Function	Pin	Wire Color	Circuit No.	Function
A1	DK GRN	2105	Side Impact Module - Left, High Control	A1	DK GRN	2105	Side Impact Module - Left, High Control
A2	BRN	2106	Side Impact Module - Left, Low Control	A2	BRN	2106	Side Impact Module - Left, Low Control
B1	GRY	2103	Side Impact Module - Right, High Control	B1	GRY	2103	Side Impact Module - Right, High Control
B2	DK BLU	2104	Side Impact Module - Right, Low Control	B2	DK BLU	2104	Side Impact Module - Right, Low Control

C301 Connector End View



2004 Isuzu Ascender LS

2004 ACCESSORIES & EQUIPMENT Wiring System (Component Locator 2 Of 2) - Ascender



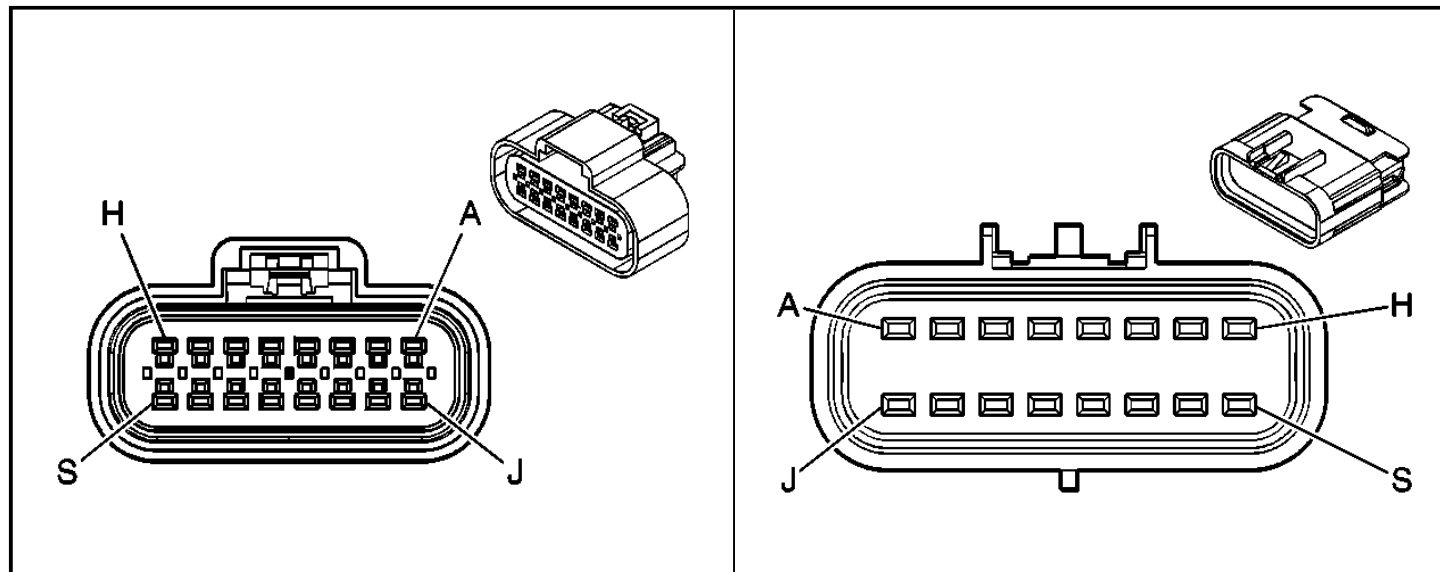
Connector Part Information		<ul style="list-style-type: none"> • 15326835 • 8-Way F GT 150 Sealed 4.0 (BLK) 		Connector Part Information		<ul style="list-style-type: none"> • 15326835 • 8-Way M GT 150 Sealed 4.0 (BLK) 	
Pin	Wire Color	Circuit No.	Function	Pin	Wire Color	Circuit No.	Function
A	LT BLU	1957	Left Front Midrange Speaker Output (-) w/UQA	A	LT BLU	1957	Left Front Midrange Speaker Output (-) w/UQA
A	GRY	118	Left Front Speaker Output (-) w/o UQA	A	GRY	118	Left Front Speaker Output (-) w/o UQA
B	DK BLU	1857	Left Front Midrange Speaker Output (+) w/UQA	B	DK BLU	1857	Left Front Midrange Speaker Output (+) w/UQA
B	TAN	201	Left Front Speaker Output (+) w/o UQA	B	TAN	201	Left Front Speaker Output (+) w/o UQA
C	DK GRN	1953	Right Front Midrange Speaker Output (-) w/UQA	C	DK GRN	1953	Right Front Midrange Speaker Output (-) w/UQA
C	DK GRN	117	Right Front Speaker Output (-) w/o UQA	C	DK GRN	117	Right Front Speaker Output (-) w/o UQA
D	ORN	1853	Right Front Midrange Speaker Output (+) w/UQA	D	ORN	1853	Right Front Midrange Speaker Output (+) w/UQA
D	ORN	200	Right Front Speaker Output (+) w/o UQA	D	ORN	200	Right Front Speaker Output (+) w/o UQA
E	DK GRN	1947	Left Front Low Level Audio Signal (-) w/UQA	E	DK GRN	1947	Left Front Low Level Audio Signal (-) w/UQA
E	YEL	116	Left Rear Speaker Output (-) w/o UQA	E	YEL	116	Left Rear Speaker Output (-) w/o UQA

2004 Isuzu Ascender LS

2004 ACCESSORIES & EQUIPMENT Wiring System (Component Locator 2 Of 2) - Ascender

F	TAN	511	Left Front Low Level Audio Signal w/UQA	F	TAN	511	Left Front Low Level Audio Signal w/UQA
F	BRN	199	Left Rear Speaker Output (+) w/o UQA	F	BRN	199	Left Rear Speaker Output (+) w/o UQA
G	ORN/BLK	1546	Front Low Level Audio Signal w/UQA	G	ORN/BLK	1546	Front Low Level Audio Signal w/UQA
G	LT BLU	115	Right Rear Speaker Output (-) w/o UQA	G	LT BLU	115	Right Rear Speaker Output (-) w/o UQA
H	LT GRN	512	Right Front Low Level Audio Signal w/UQA	H	LT GRN	512	Right Front Low Level Audio Signal w/UQA
H	DK BLU	46	Right Rear Speaker Output (+) w/o UQA	H	DK BLU	46	Right Rear Speaker Output (+) w/o UQA

C304 Connector End View



Connector Part Information

- 15326863
- 16-Way F GT 150 Sealed 4.0 (BLK)

Connector Part Information

- 15326868
- 16-Way M 150 Sealed (BLK)

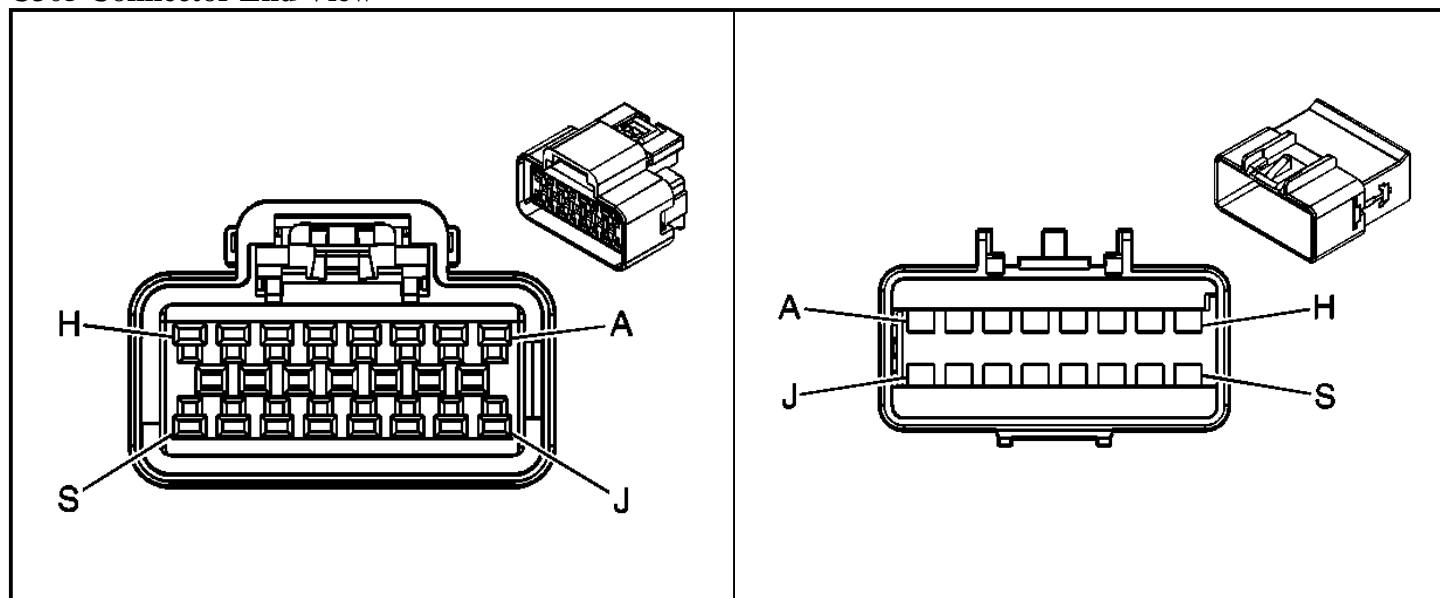
Pin	Wire Color	Circuit No.	Function	Pin	Wire Color	Circuit No.	Function
A-B	-	-	Not Used	A-B	-	-	Not Used
C	BLK/WHT	372	Remote Radio Audio Output	C	BLK/WHT	372	Remote Radio Audio Output
D	BRN/WHT	367	Remote Radio Left Audio Signal	D	BRN/WHT	367	Remote Radio Left Audio Signal
E	-	-	Not Used	E	-	-	Not Used
F	BRN	718	Low Reference	F	BRN	718	Low Reference
G	DK GRN	734	Inside Air Temperature Sensor Signal	G	DK GRN	734	Inside Air Temperature Sensor Signal

2004 Isuzu Ascender LS

2004 ACCESSORIES & EQUIPMENT Wiring System (Component Locator 2 Of 2) - Ascender

H	WHT/BLK	1236	Air Temperature Door Control - Auxiliary	H	WHT/BLK	1236	Air Temperature Door Control - Auxiliary
J	YEL	2161	Side Impact Sensor - Left, Voltage	J	YEL	2161	Side Impact Sensor - Left, Voltage
K	WHT	2162	Side Impact Sensor - Left, Signal	K	WHT	2162	Side Impact Sensor - Left, Signal
L	TAN	2163	Side Impact Sensor - Right, Voltage	L	TAN	2163	Side Impact Sensor - Right, Voltage
M	DK GRN	2164	Side Impact Sensor - Right, Signal	M	DK GRN	2164	Side Impact Sensor - Right, Signal
N	-	-	Not Used	N	-	-	Not Used
P	BLK/WHT	238	Seat Belt Switch - Left	P	BLK/WHT	238	Seat Belt Switch - Left
R	DK BLU/ WHT	2218	Serial Communications Circuit	R	DK BLU/ WHT	2218	Serial Communications Circuit
S	-	-	Not Used	S	-	-	Not Used

C305 Connector End View



Connector Part Information

- 15332178
- 16-Way F GT 150 (BLK)

Connector Part Information

- 15332182
- 16-Way M GT 150 (BLK)

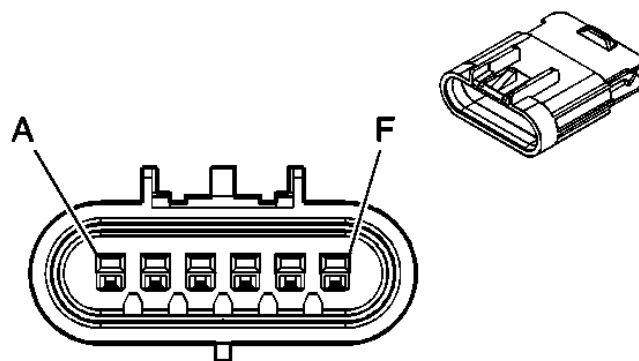
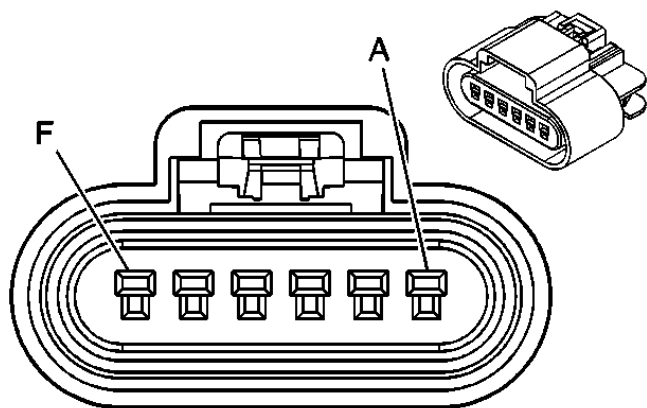
Pin	Wire Color	Circuit No.	Function	Pin	Wire Color	Circuit No.	Function
A	DK BLU	2576	Quarter Glass Actuator - Right (Body Type VIN 6)	A	DK BLU	2576	- (Body Type VIN 6)
B	DK GRN	801	RAP Fuse Supply Voltage	B	DK GRN	801	RAP Fuse Supply Voltage
C	PPL	2573	Quarter Glass Actuator - Left	C	PPL	2573	Quarter Glass Actuator - Left

2004 Isuzu Ascender LS

2004 ACCESSORIES & EQUIPMENT Wiring System (Component Locator 2 Of 2) - Ascender

D	ORN	3140	Battery Positive Voltage	D	ORN	3140	Battery Positive Voltage
E	BRN/WHT	230	Instrument Panel Lamps Dimming Control	E	BRN/WHT	230	Instrument Panel Lamps Dimming Control
F	BLK	1350	Ground	F	BLK	1350	Ground
G	-	-	Not Used	G	-	-	Not Used
G	DK BLU	2574	Quarter Glass Actuator - Left	G	DK BLU	2574	Quarter Glass Actuator - Left
H	ORN	110	Sunroof Switch Close Signal (CF5)	H	ORN	110	Sunroof Switch Close Signal (CF5)
J	DK BLU	128	Sunroof Switch Low Reference (CF5)	J	DK BLU	128	Sunroof Switch Low Reference (CF5)
K	BLK	1150	Ground	K	BLK	1150	Ground
L	BRN	100	Sunroof Switch Open Signal	L	BRN	100	Sunroof Switch Open Signal
M	DK GRN	1488	Noise Reduction Microphone Supply Voltage	M	DK GRN	1488	Noise Reduction Microphone Supply Voltage
N	LT GRN/BLK	1354	Drain Wire	N	LT GRN/BLK	1354	Drain Wire
P	DK GRN	654	Cellular Telephone Microphone Low Reference (UE1)	P	DK GRN	654	Cellular Telephone Microphone Low Reference (UE1)
R	GRY	655	Cellular Telephone Microphone Signal (UE1)	R	GRY	655	Cellular Telephone Microphone Signal (UE1)
S	PPL	2375	Quarter Glass Actuator - Right	S	PPL	2375	Quarter Glass Actuator - Right

C306 Connector End View

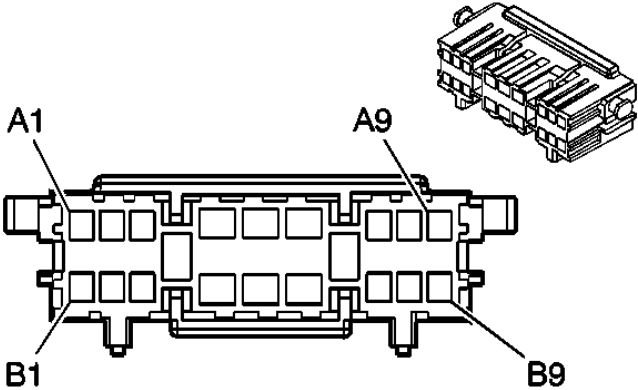
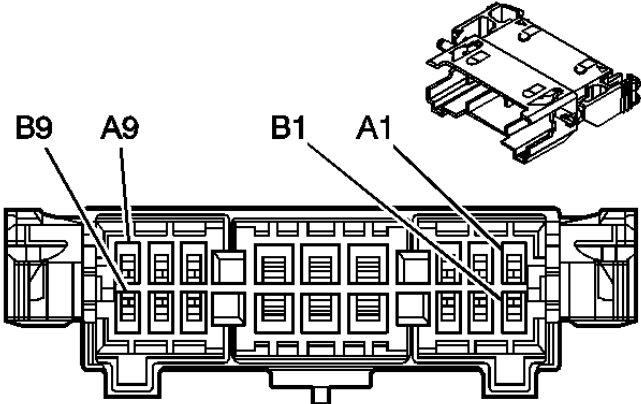


2004 Isuzu Ascender LS

2004 ACCESSORIES & EQUIPMENT Wiring System (Component Locator 2 Of 2) - Ascender

Connector Part Information		<ul style="list-style-type: none"> • 15326829 • 6-Way F 150 Sealed (BLK) 		Connector Part Information		<ul style="list-style-type: none"> • 15326833 • 6-Way M 150 Sealed (BLK) 	
Pin	Wire Color	Circuit No.	Function	Pin	Wire Color	Circuit No.	Function
A	BRN/WHT	2517	Keypad Red LED Signal	A	BRN/WHT	2517	Keypad Red LED Signal
B	YEL/BLK	2516	Keypad Green LED Signal	B	YEL/BLK	2516	Keypad Green LED Signal
C	DK GRN/WHT	2514	Keypad Signal	C	DK GRN/WHT	2514	Keypad Signal
D	LT GRN/BLK	2515	Keypad Supply Voltage	D	LT GRN/BLK	2515	Keypad Supply Voltage
E	DK GRN	654	Cellular Telephone Microphone Low Reference	E	DK GRN	654	Cellular Telephone Microphone Low Reference
F	GRY	655	Cellular Telephone Microphone Signal	F	GRY	655	Cellular Telephone Microphone Signal

C307 Connector End View

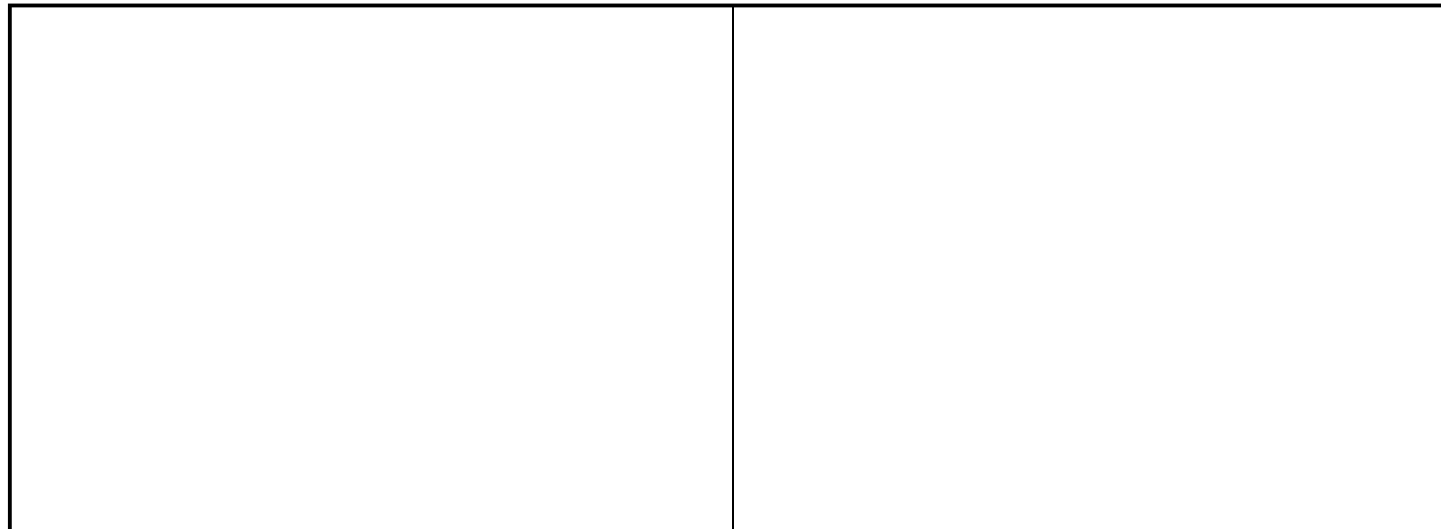
							
Connector Part Information		<ul style="list-style-type: none"> • 15304690 • 18-Way F GT 150 280 (MD GRY) 		Connector Part Information		<ul style="list-style-type: none"> • 153336467 • 18-Way M GT 150 280 (MD GRY) 	
Pin	Wire Color	Circuit No.	Function	Pin	Wire Color	Circuit No.	Function
A1	BLK	1946	Right Rear Low Level Audio Signal (-)	A1	BLK	1946	Right Rear Low Level Audio Signal (-)
A2	YEL	2277	HVAC Rear Control Assembly Disable Signal	A2	YEL	2277	HVAC Rear Control Assembly Disable

2004 Isuzu Ascender LS

2004 ACCESSORIES & EQUIPMENT Wiring System (Component Locator 2 Of 2) - Ascender

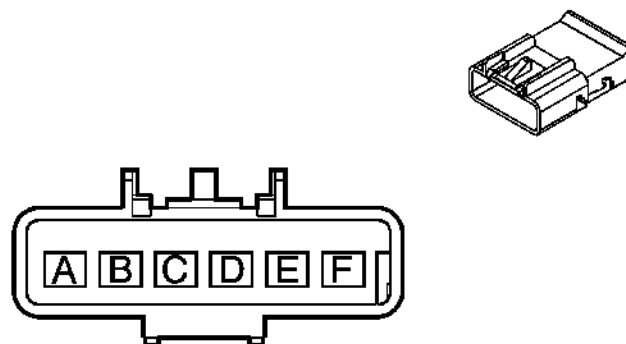
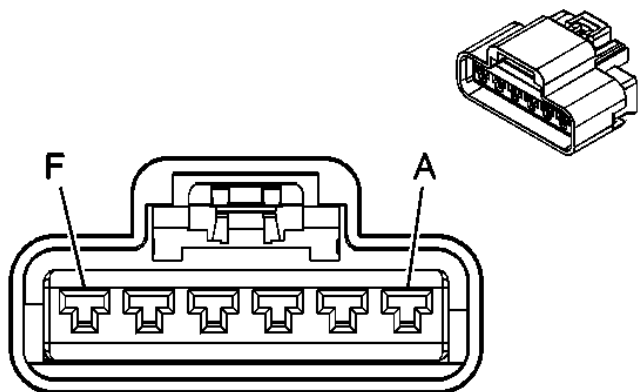
							Signal
A3	BRN/WHT	230	Instrument Panel Lamps Dimming Control	A3	BRN/WHT	230	Instrument Panel Lamps Dimming Control
A4	BRN	341	Ignition 3 Voltage	A4	BRN	341	Ignition 3 Voltage
A5	ORN	1040	Battery Positive Voltage	A5	ORN	1040	Battery Positive Voltage
A6	BLK	2250	Ground	A6	BLK	2250	Ground
A7	GRY	2289	Rear HVAC/Audio Class 2 Serial Data	A7	GRY	2289	Rear HVAC/Audio Class 2 Serial Data
A8	BRN	599	Left Rear Low Level Audio Signal	A8	BRN	599	Left Rear Low Level Audio Signal
A9	DK BLU	546	Right Rear Low Level Audio Signal	A9	DK BLU	546	Right Rear Low Level Audio Signal
B1	BRN	199	Left Rear Speaker Output (+)	B1	BRN	199	Left Rear Speaker Output (+)
B2	DK BLU	46	Right Rear Speaker Output (+)	B2	DK BLU	46	Right Rear Speaker Output (+)
B3	BRN	1999	Left Rear Low Level Audio Signal (-)	B3	BRN	1999	Left Rear Low Level Audio Signal (-)
B4	ORN	4340	Battery Positive Voltage	B4	ORN	4340	Battery Positive Voltage
B5	YEL	116	Left Rear Speaker Output (-)	B5	YEL	116	Left Rear Speaker Output (-)
B6	LT BLU	115	Right Rear Speaker Output (-)	B6	LT BLU	115	Right Rear Speaker Output (-)
B7	DK GRN	2347	Auxiliary Blower Motor High Speed Control	B7	DK GRN	2347	Auxiliary Blower Motor High Speed Control
B8	-	-	Not Used	B8	-	-	Not Used
B9	DK BLU	2348	Auxiliary Blower Motor Medium Speed Control	B9	DK BLU	2348	Auxiliary Blower Motor Medium Speed Control

C308 Connector End View



2004 Isuzu Ascender LS

2004 ACCESSORIES & EQUIPMENT Wiring System (Component Locator 2 Of 2) - Ascender



Connector Part Information

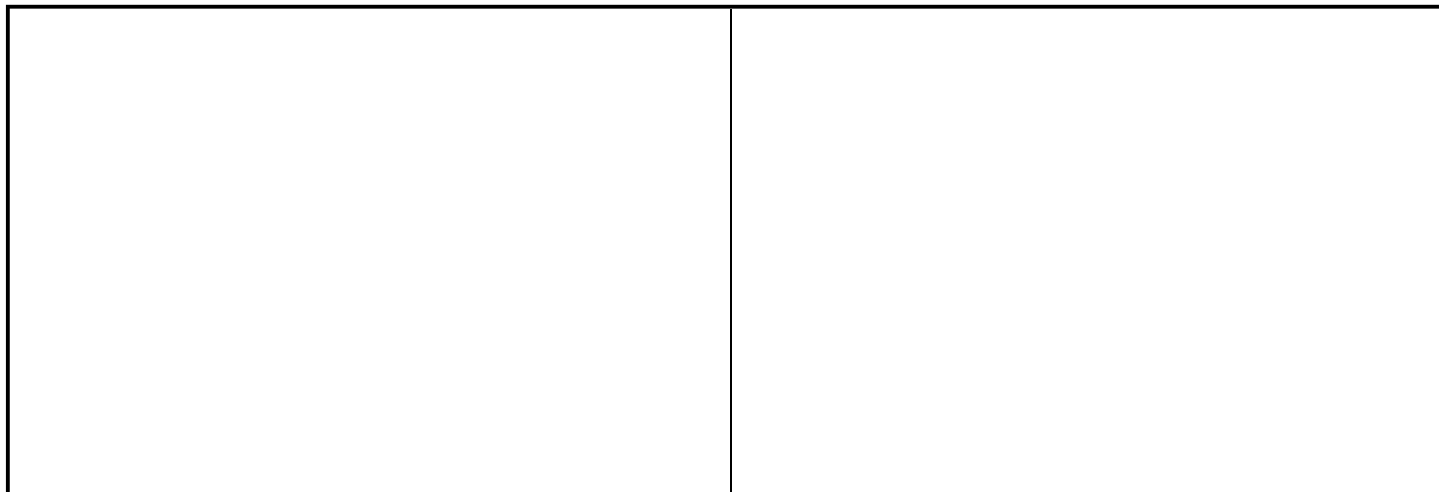
- 15326900
- 6-Way F GT 280 Unsealed (BLK)

Connector Part Information

- 15336904
- 6-Way M GT 280 Unsealed (BLK)

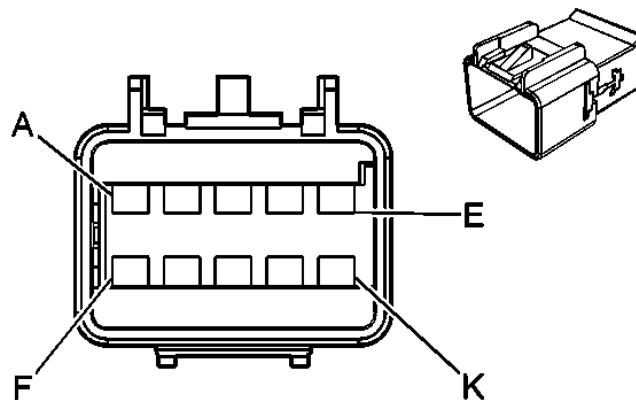
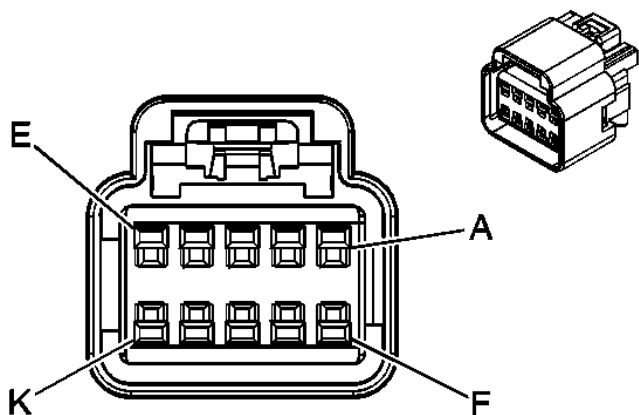
Pin	Wire Color	Circuit No.	Function	Pin	Wire Color	Circuit No.	Function
A	BLK	1350	Ground	A	BLK/PPL	135	Ground
B	ORN	1740	Battery Positive Voltage	B	YEL/RED	174	Battery Positive Voltage
C	DK BLU	128	Sunroof Switch Low Reference	C	BRN	128	Sunroof Switch Low Reference
D	BRN	100	Sunroof Switch Open Signal	D	WHT	100	Sunroof Switch Open Signal
E	ORN	110	Sunroof Switch Close Signal	E	LT BLU	110	Sunroof Switch Close Signal
F	DK BLU	1353	RAP Supply Voltage	F	PPL	1353	RAP Supply Voltage

C309 Connector End View



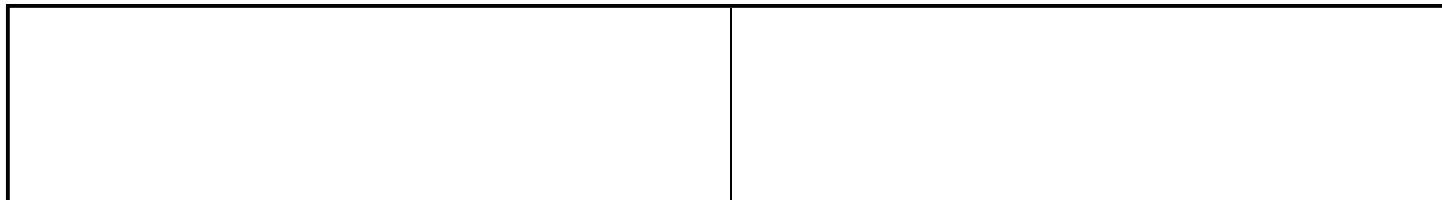
2004 Isuzu Ascender LS

2004 ACCESSORIES & EQUIPMENT Wiring System (Component Locator 2 Of 2) - Ascender



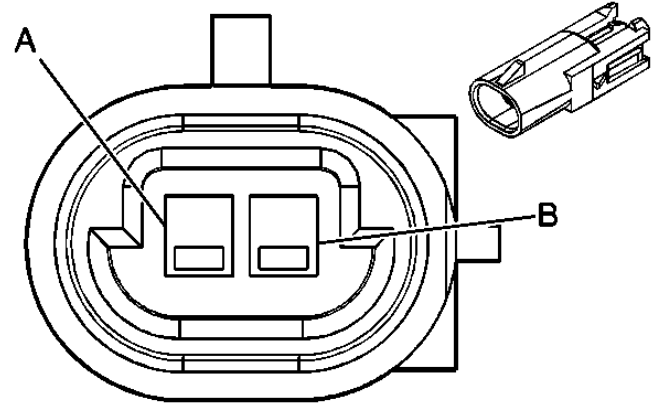
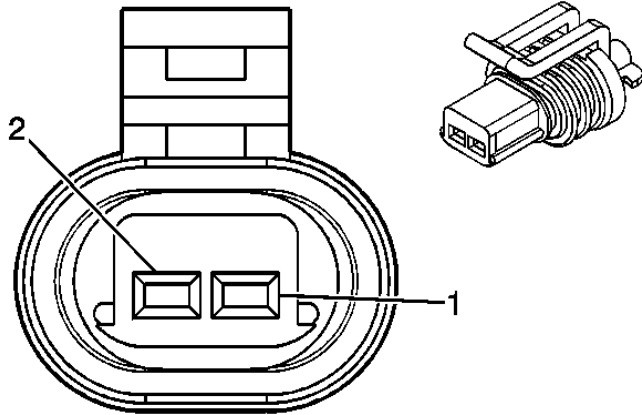
Connector Part Information		<ul style="list-style-type: none"> • 15332153 • 10-Way F GT 150 Unsealed (BLK) 		Connector Part Information		<ul style="list-style-type: none"> • 15332158 • 10-Way M GT 150 Unsealed (BLK) 	
Pin	Wire Color	Circuit No.	Function	Pin	Wire Color	Circuit No.	Function
A	GRY	2598	Low Reference	A	GRY	2598	Low Reference
B	DK BLU	1199	Auxiliary Air Temp Door Position Signal	B	DK BLU	1199	Auxiliary Air Temp Door Position Signal
C	YEL	2214	Auxiliary Door Temp Door Control	C	YEL	2214	Auxiliary Door Temp Door Control
D	GRY	2599	Auxiliary Mode Door Control	D	GRY	2599	Auxiliary Mode Door Control
E	RED	2600	Auxiliary Actuator Door Control	E	RED	2600	Auxiliary Actuator Door Control
F	BRN/WHT	2601	Auxiliary Mode Door Position Signal	F	BRN/WHT	2601	Auxiliary Mode Door Position Signal
G	GRY	598	5-Volt Reference	G	GRY	598	5-Volt Reference
H	-	-	Not Used	H	GRY	2603	TXV Solenoid Control (Not Equipped)
J	-	-	Not Used	J	-	-	Not Used
K	GRY	2604	Blower Motor Control	K	GRY	2604	Blower Motor Control

C310 Connector End View



2004 Isuzu Ascender LS

2004 ACCESSORIES & EQUIPMENT Wiring System (Component Locator 2 Of 2) - Ascender



Connector Part Information

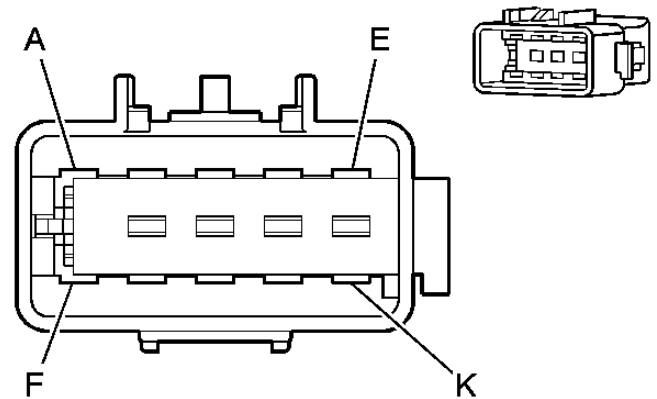
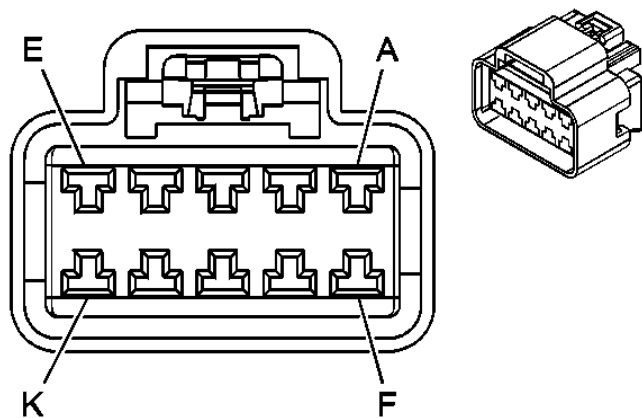
- 15336024
- 2-Way F GT 150 Sealed (BLK)

Connector Part Information

- 15355466
- 2-Way M GT 150 Sealed (BLK)

Pin	Wire Color	Circuit No.	Function	Pin	Wire Color	Circuit No.	Function
1	LT GRN/ BLK	822	VSS Low Signal	A	LT GRN/ BLK	822	VSS Low Signal
2	PPL/WHT	821	VSS High Signal	B	PPL/WHT	821	VSS High Signal

C311 Connector End View



Connector Part Information

- 15326931
- 10-Way F GT 280 (BLK)

Connector Part Information

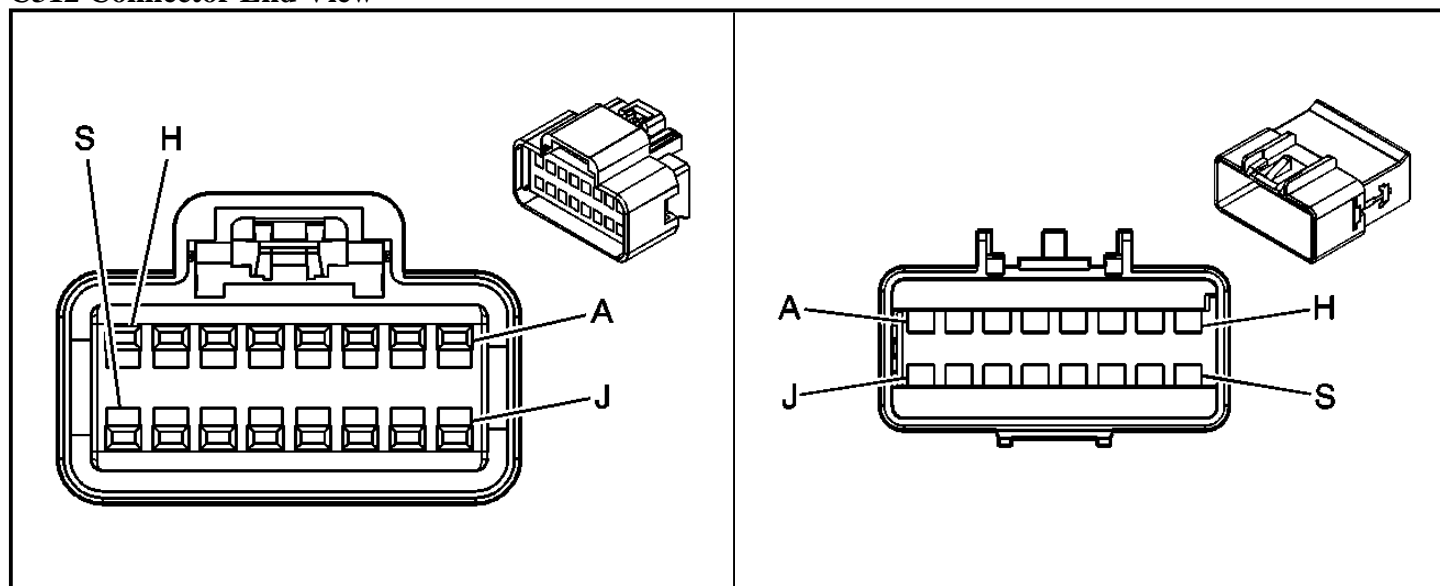
- 15326935
- 10-Way M GT 280 (BLK)

2004 Isuzu Ascender LS

2004 ACCESSORIES & EQUIPMENT Wiring System (Component Locator 2 Of 2) - Ascender

Pin	Wire Color	Circuit No.	Function	Pin	Wire Color	Circuit No.	Function
A	BRN	1046	DDM Class 2 Serial Data	A	BRN/WHT	1046	DDM Class 2 Serial Data
B	ORN	2740	Battery Positive Voltage	B	ORN	2740	Battery Positive Voltage
C	ORN	3540	Battery Positive Voltage	C	ORN	3540	Battery Positive Voltage
D	BLK	1350	Ground	D	BLK	1350	Ground
E	BLK/WHT	238	Seat Belt Switch - Left	E	BLK/WHT	238	Seat Belt Switch - Left
F-K	-	-	Not Used	F-K	-	-	Not Used

C312 Connector End View



Connector Part Information

- 15332177
- 16-Way F GT 150 (BLK)

Connector Part Information

- 15332182
- 16-Way M GT 150 (BLK)

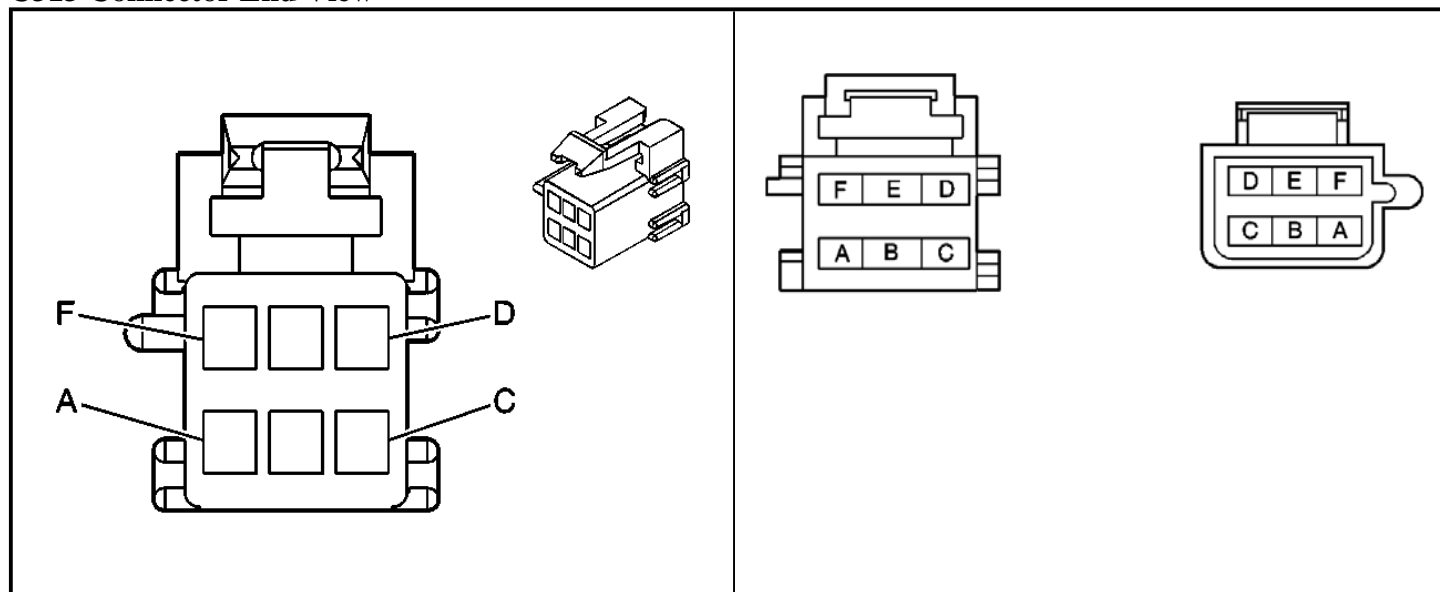
Pin	Wire Color	Circuit No.	Function	Pin	Wire Color	Circuit No.	Function
A	BLK	950	DDM Class 2 Serial Data	A	BLK	950	DDM Class 2 Serial Data
B	ORN	940	Battery Positive Voltage	B	ORN	940	Battery Positive Voltage
C	RED/WHT	2077	Battery Positive Voltage	C	RED/WHT	2077	Battery Positive Voltage
D	LT GRN	2078	Ground	D	LT GRN	2078	Ground
E	YEL/BLK	2079	Seat Belt Switch - Left	E	YEL/BLK	2079	Seat Belt Switch - Left
F	YEL	2080	Driver Heated Seat Cushion Temperature Sensor Low Reference	F	YEL	2080	Driver Heated Seat Cushion Temperature Sensor Low Reference
G	YEL	1063	Driver Seat Lumbar Horizontal Position Sensor Signal	G	YEL	1063	Driver Seat Lumbar Horizontal Position Sensor Signal
			Driver Seat Lumbar				Driver Seat Lumbar

2004 Isuzu Ascender LS

2004 ACCESSORIES & EQUIPMENT Wiring System (Component Locator 2 Of 2) - Ascender

H	PNK	610	Motor Rearward Control	H	PNK	610	Motor Rearward Control
J	DK BLU	611	Driver Seat Lumbar Motor Forward Control	J	DK BLU	611	Driver Seat Lumbar Motor Forward Control
K	BLK	1062	Driver Seat Lumbar Vertical Position Sensor Signal	K	BLK	1062	Driver Seat Lumbar Vertical Position Sensor Signal
L	TAN	768	Driver Seat Lumbar Motor Up Control	L	TAN	768	Driver Seat Lumbar Motor Up Control
M	PPL	767	Driver Seat Lumbar Motor Down Control	M	PPL	767	Driver Seat Lumbar Motor Down Control
N-S	-	-	Not Used	N-S	-	-	Not Used

C313 Connector End View



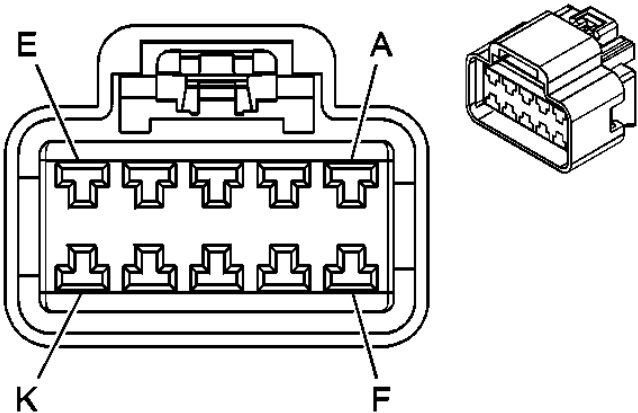
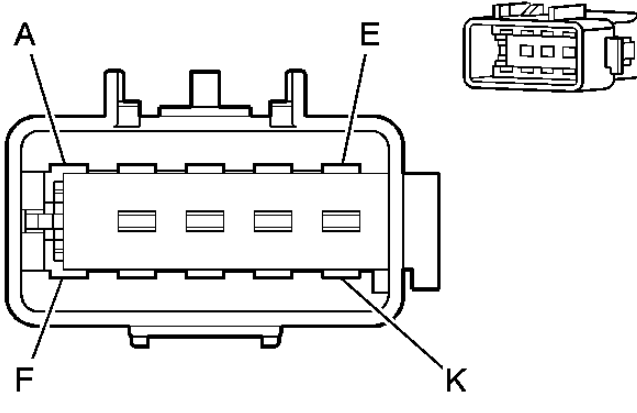
Connector Part Information		• 12064762 • 6-Way F GT 150 (GRY)		Connector Part Information		• 12065781 • 6-Way M GT 150 (GRY)	
Pin	Wire Color	Circuit No.	Function	Pin	Wire Color	Circuit No.	Function
A	WHT/BLK	570	Driver Seat Recline Motor Position Sensor Signal	A	WHT/BLK	570	Driver Seat Recline Motor Position Sensor Signal
B	BLK	850	Ground	B	BLK	850	Ground
C	BRN/WHT	557	Front Vertical Seat Motor Position Sensor Signal	C	BRN/WHT	557	Front Vertical Seat Motor Position Sensor Signal
D	TAN	568	Rear Vertical Seat Motor Position Sensor Signal	D	TAN	568	Rear Vertical Seat Motor Position Sensor Signal
			Horizontal Seat Motor				Horizontal Seat Motor

2004 Isuzu Ascender LS

2004 ACCESSORIES & EQUIPMENT Wiring System (Component Locator 2 Of 2) - Ascender

E	DK GRN	569	Position Sensor Signal	E	DK GRN	569	Position Sensor Signal
F	ORN	840	Battery Positive Voltage	F	ORN	840	Battery Positive Voltage

C314 Connector End View

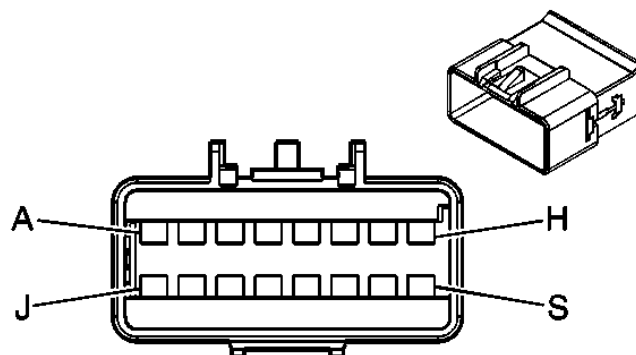
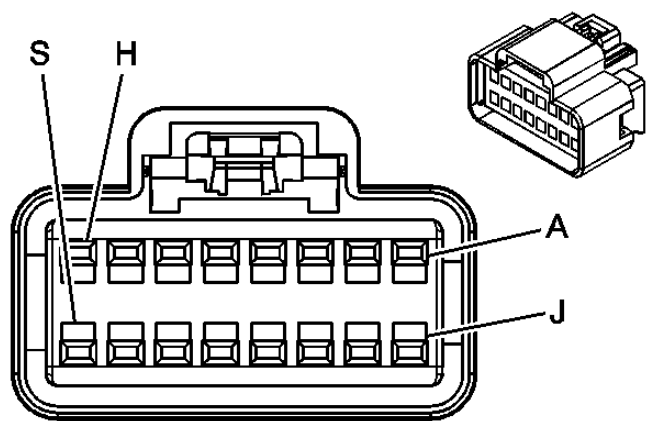
							
Connector Part Information		<ul style="list-style-type: none"> • 15326931 • 10-Way F GT 280 (BLK) 		Connector Part Information		<ul style="list-style-type: none"> • 15326935 • 10-Way M GT 280 (BLK) 	
Pin	Wire Color	Circuit No.	Function	Pin	Wire Color	Circuit No.	Function
A	TAN	1074	PDM Class 2 Serial Data	A	BRN/WHT	1074	PDM Class 2 Serial Data
B	ORN	2740	Battery Positive Voltage	B	ORN	2740	Battery Positive Voltage
C	ORN	3540	Battery Positive Voltage	C	ORN	3540	Battery Positive Voltage
D	BLK	1450	Ground	D	BLK	1450	Ground
E-K	-	-	Not Used	E-K	-	-	Not Used

C315 Connector End View

--	--

2004 Isuzu Ascender LS

2004 ACCESSORIES & EQUIPMENT Wiring System (Component Locator 2 Of 2) - Ascender



Connector Part Information

- 15332177
- 16-Way F GT 150 (BLK)

Connector Part Information

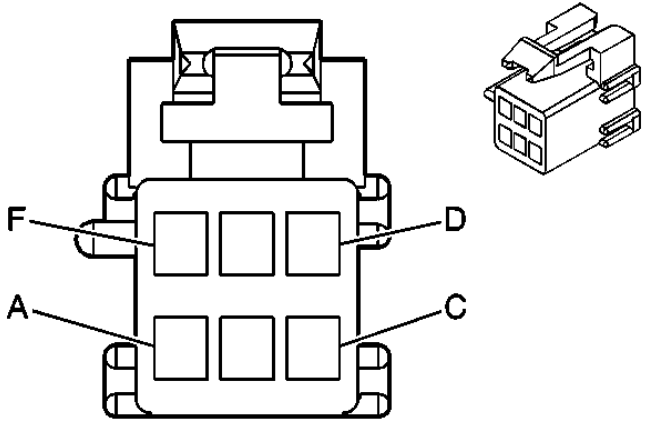
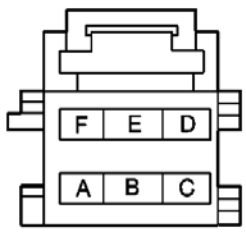
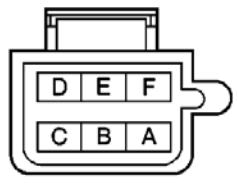
- 15332182
- 16-Way M GT 150 (BLK)

Pin	Wire Color	Circuit No.	Function	Pin	Wire Color	Circuit No.	Function
A	BLK	950	PDM Class 2 Serial Data	A	BLK	950	PDM Class 2 Serial Data
B	ORN	940	Battery Positive Voltage	B	ORN	940	Battery Positive Voltage
C	RED/WHT	2077	Battery Positive Voltage	C	RED/BLK	2077	Battery Positive Voltage
D	LT GRN	2078	Ground	D	LT GRN	2078	Ground
E	YEL	-	Not Used	E	YEL	-	Not Used
F	YEL	2080	Driver Heated Seat Cushion Temperature Sensor Low Reference	F	YEL	2080	Driver Heated Seat Cushion Temperature Sensor Low Reference
G	YEL	1063	Passenger Seat Lumbar Horizontal Position Sensor Signal	G	YEL	1063	Passenger Seat Lumbar Horizontal Position Sensor Signal
H	PNK	610	Passenger Seat Lumbar Motor Rearward Control	H	PNK	610	Passenger Seat Lumbar Motor Rearward Control
J	DK BLU	611	Passenger Seat Lumbar Motor Forward Control	J	DK BLU	611	Passenger Seat Lumbar Motor Forward Control
K	BLK	1062	Passenger Seat Lumbar Vertical Position Sensor Signal	K	BLK	1062	Passenger Seat Lumbar Vertical Position Sensor Signal
L	TAN	768	Passenger Seat Lumbar Motor Up Control	L	TAN	768	Passenger Seat Lumbar Motor Up Control
M	PPL	767	Passenger Seat Lumbar Motor Down Control	M	PPL	767	Passenger Seat Lumbar Motor Down Control
N-S	-	-	Not Used	N-S	-	-	Not Used

2004 Isuzu Ascender LS

2004 ACCESSORIES & EQUIPMENT Wiring System (Component Locator 2 Of 2) - Ascender

C316 Connector End View

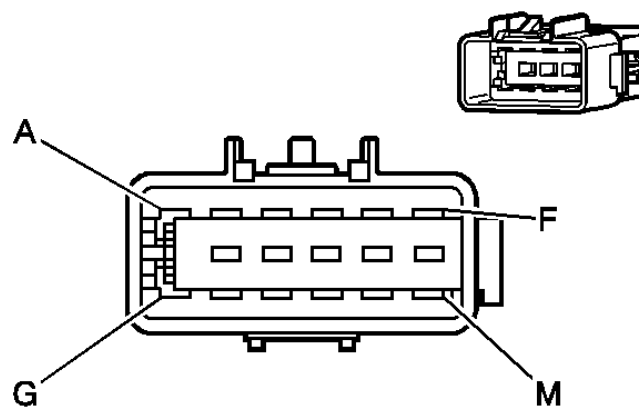
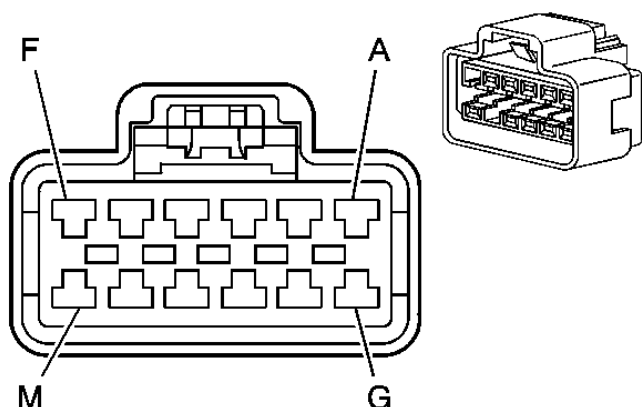
											
Connector Part Information		<ul style="list-style-type: none"> • 12064762 • 6-Way F GT 150 (GRY) 		Connector Part Information		<ul style="list-style-type: none"> • 12065781 • 6-Way M GT 150 (GRY) 					
Pin	Wire Color	Circuit No.	Function	Pin	Wire Color	Circuit No.	Function				
A	BLK/WHT	570	Passenger Seat Recline Motor Position Sensor Signal	A	BLK/WHT	570	Passenger Seat Recline Motor Position Sensor Signal				
B	BLK	850	Ground	B	BLK	850	Ground				
C	BRN/WHT	557	Front Vertical Seat Motor Position Sensor Signal	C	BRN/WHT	557	Front Vertical Seat Motor Position Sensor Signal				
D	TAN	568	Rear Vertical Seat Motor Position Sensor Signal	D	TAN	568	Rear Vertical Seat Motor Position Sensor Signal				
E	DK GRN	569	Horizontal Seat Motor Position Sensor Signal	E	DK GRN	569	Horizontal Seat Motor Position Sensor Signal				
F	ORN	840	Battery Positive Voltage	F	ORN	840	Battery Positive Voltage				

C401 Connector End View (Long Wheelbase, Body Type VIN 6)

--	--

2004 Isuzu Ascender LS

2004 ACCESSORIES & EQUIPMENT Wiring System (Component Locator 2 Of 2) - Ascender



Connector Part Information

- 15326110
- 12-Way F GT 280 (BLK)

Connector Part Information

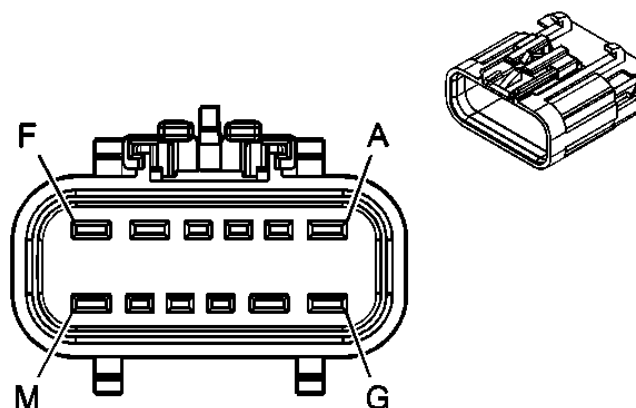
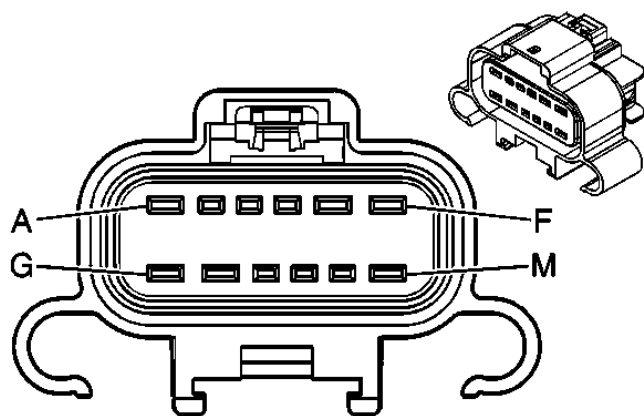
- 15326942
- 12-Way M GT 280 (BLK)

Pin	Wire Color	Circuit No.	Function	Pin	Wire Color	Circuit No.	Function
A	RED	2600	Auxiliary Actuator Door Control	A	RED	2600	Auxiliary Actuator Door Control
						2600	Auxiliary Actuator Door Control
B	YEL	2214	Auxiliary Air Temperature Door Control	B	YEL	2214	Auxiliary Air Temperature Door Control
C	-	-	Not Used	C	-	-	Not Used
D	BLK	1650	Ground	D	BLK	1650	Ground
E	ORN	840	Battery Positive Voltage	E	ORN	840	Battery Positive Voltage
F	GRY	598	Battery Positive Voltage	F	GRY/WHT	840	Battery Positive Voltage
						840	Battery Positive Voltage
G	GRY	2604	Auxiliary Blower Motor Speed Control	G	GRY	2604	Auxiliary Blower Motor Speed Control
H	BRN/WHT	2601	Auxiliary Mode Door Position Signal	H	BRN/WHT	2601	Auxiliary Mode Door Position Signal
J	DK BLU	1199	Air Temperature Door Control	J	DK BLU	1199	Air Temperature Door Control
K	GRY	2599	Auxiliary Mode Door Control	K	GRY/WHT	2599	Auxiliary Mode Door Control
L	GRY	2598	Low Reference	L	GRY/RED	2598	Low Reference
					GRY/RED	2598	Low Reference
M	-	-	Not Used	M	-	-	Not Used

2004 Isuzu Ascender LS

2004 ACCESSORIES & EQUIPMENT Wiring System (Component Locator 2 Of 2) - Ascender

C500 Connector End View



Connector Part Information

- 15354897
- 12-Way F GT 150 280 Sealed 4.0 5.8 (BLK)

Connector Part Information

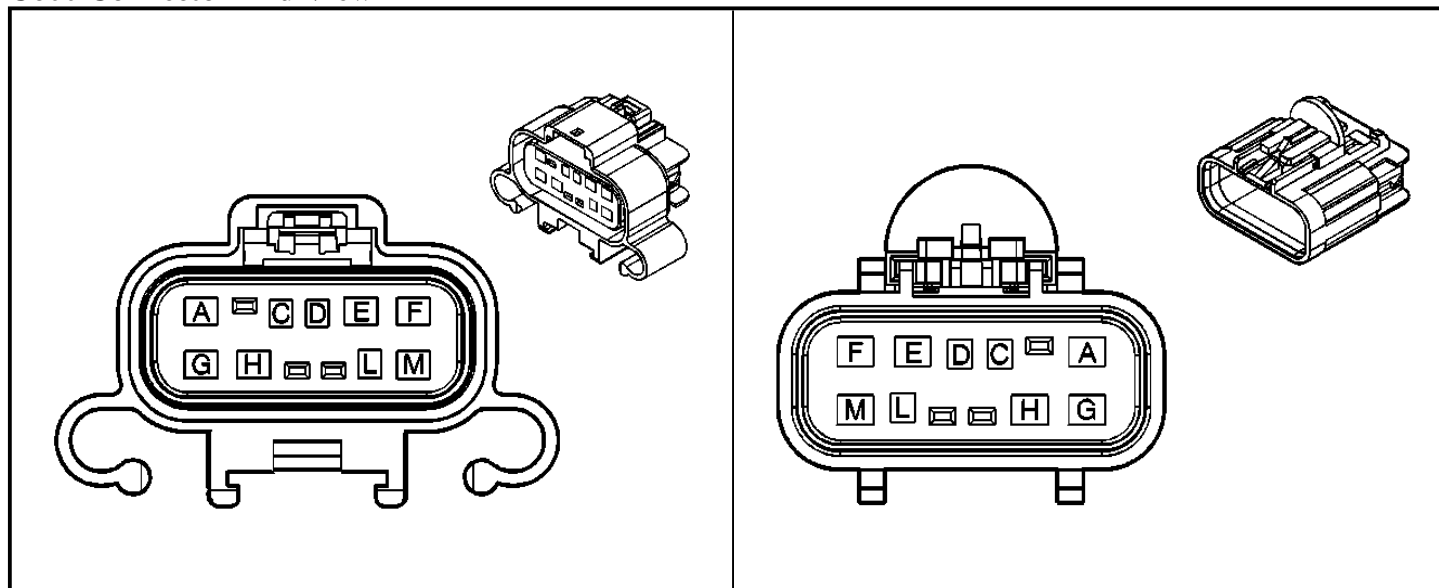
- 15354898
- 12-Way M GT 150 280 Sealed 4.0 5.8 (BLK)

Pin	Wire Color	Circuit No.	Function	Pin	Wire Color	Circuit No.	Function
A	GRY	118	Left Front Speaker Output (-)	A	GRY	118	Left Front Speaker Output (-)
B	-	-	Not Used	B	-	-	Not Used
C	LT BLU	2114	Left Turn Signal Lamps Supply Voltage	C	LT BLU	2114	Left Turn Signal Lamps Supply Voltage
D	YEL	2161	Side Impact Sensor - Voltage	D	YEL	2161	Side Impact Sensor - Voltage
E	WHT	2162	Side Impact Sensor - Left	E	WHT	2162	Side Impact Sensor - Left
F	ORN	1240	Battery Positive Voltage	F	ORN	1240	Battery Positive Voltage
G	TAN	201	Left Front Speaker Output (+)	G	TAN	201	Left Front Speaker Output (+)
H	BRN	1046	DDM Class 2 Serial Data	H	BRN	1046	DDM Class 2 Serial Data
J	GRY	1690	Automatic Day/Night Mirror Signal (D25/D59 only)	J	GRY	1690	Automatic Day/Night Mirror Signal (D25/D59 only)
K	PNK	1691	Automatic Day/Night Mirror Low Reference (D25/D59 only)	K	PNK	1691	Automatic Day/Night Mirror Low Reference (D25/D59 only)
L	ORN	4140	Battery Positive Voltage	L	ORN	4140	Battery Positive Voltage
M	BLK	1350	Ground	M	BLK	1350	Ground

2004 Isuzu Ascender LS

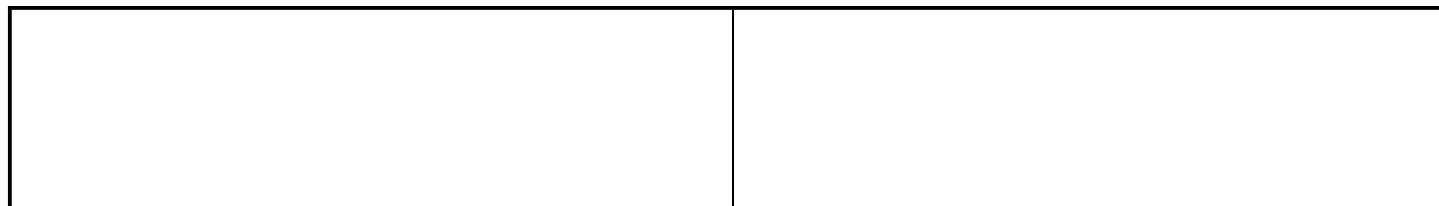
2004 ACCESSORIES & EQUIPMENT Wiring System (Component Locator 2 Of 2) - Ascender

C600 Connector End View



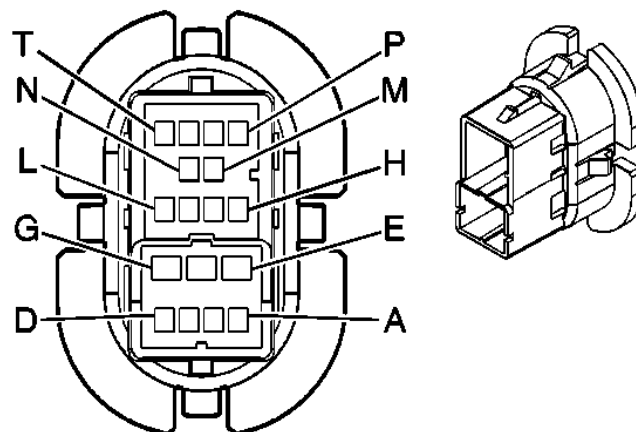
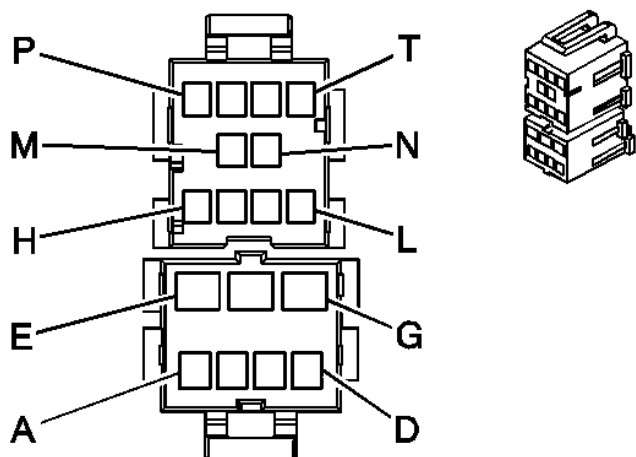
Connector Part Information		<ul style="list-style-type: none"> • 15373479 • 12-Way F GT 150 280 Sealed 4.0 5.8 (BLK) 		Connector Part Information		<ul style="list-style-type: none"> • 15373478 • 12-Way M GT 150 280 Sealed 4.0 5.8 (BLK) 	
Pin	Wire Color	Circuit No.	Function	Pin	Wire Color	Circuit No.	Function
A	ORN	1340	Battery Positive Voltage	A	ORN	1340	Battery Positive Voltage
B	-	-	Not Used	B	-	-	Not Used
C	DK BLU	2115	Right Turn Signal Lamps Supply Voltage	C	DK BLU	2115	Right Turn Signal Lamps Supply Voltage
D	TAN	2163	Side Impact Sensor - Right, Voltage	D	TAN	2163	Side Impact Sensor - Right, Voltage
E	DK GRN	2164	Side Impact Sensor - Right, Signal	E	DK GRN	2164	Side Impact Sensor - Right, Signal
F	LT GRN	200	Right Front Speaker Output (+)	F	LT GRN	200	Right Front Speaker Output (+)
G	BLK	1450	Ground	G	BLK	1450	Ground
H	TAN	1047	PDM Class 2 Serial Data	H	TAN	1047	PDM Class 2 Serial Data
L	ORN	4240	Battery Positive Voltage	L	ORN	4240	Battery Positive Voltage
M	DK GRN	117	Right Front Speaker Output (-)	M	DK GRN	117	Right Front Speaker Output (-)

C700 Connector End View



2004 Isuzu Ascender LS

2004 ACCESSORIES & EQUIPMENT Wiring System (Component Locator 2 Of 2) - Ascender



Connector Part Information

- 12177259
- 10-Way F Metri-Pack 280 Series (BLK)
- 12177260
- 7-Way F Metri-Pack 280 Series GT 150 (BLK)

Connector Part Information

- 15358897
- 17-Way M Metri-Pack 280 Series (NAT)

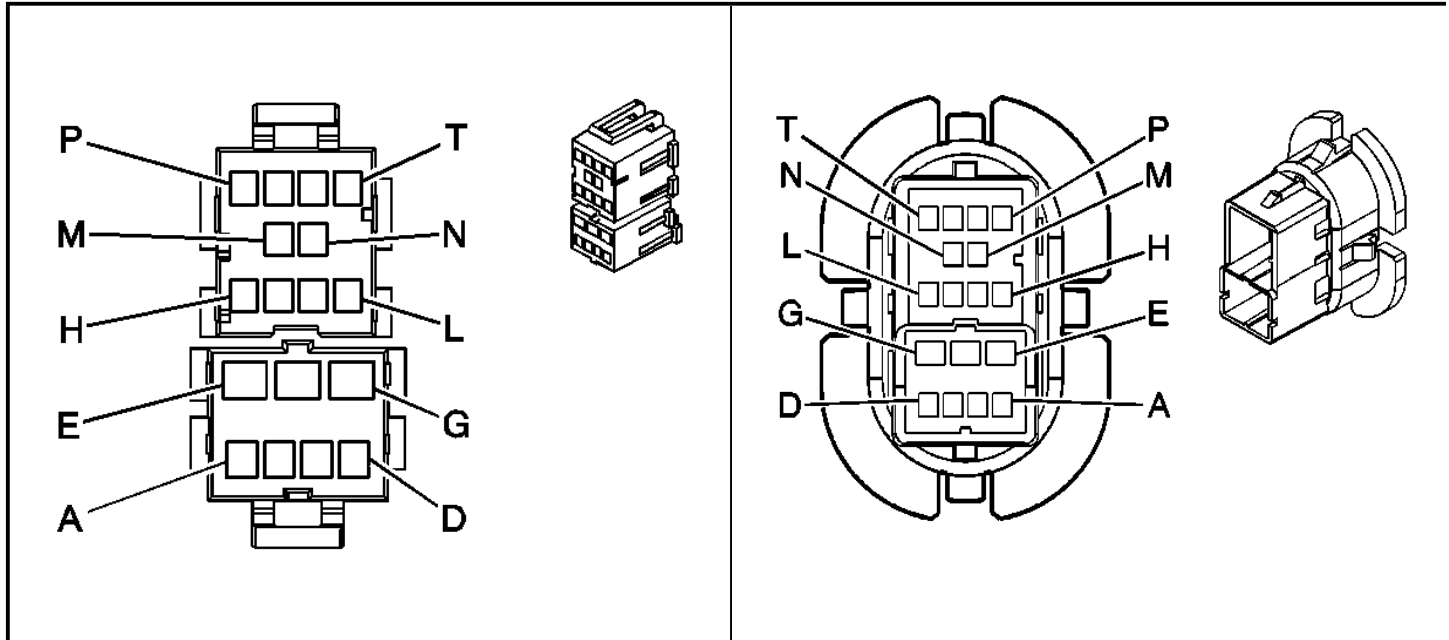
Pin	Wire Color	Circuit No.	Function	Pin	Wire Color	Circuit No.	Function
A	LT BLU/ BLK	747	Left Rear Door Ajar Switch Signal	A	LT BLU/ BLK	747	Left Rear Door Ajar Switch Signal
B	WHT	1185	Power Window Switch Left Rear Up Signal	B	WHT	1185	Power Window Switch Left Rear Up Signal
C	YEL	1187	Power Window Switch Left Rear Down Signal	C	YEL	1187	Power Window Switch Left Rear Down Signal
D	-	-	Not Used	D	-	-	Not Used
E	ORN	1240	Battery Positive Voltage	E	ORN	1240	Battery Positive Voltage
F	-	-	Not Used	F	-	-	Not Used
G	BLK	1350	Ground	G	BLK	1350	Ground
H	LT BLU	2265	Power Window Lockout Left Rear Signal	H	LT BLU	2265	Power Window Lockout Left Rear Signal
J	-	-	Not Used	J	-	-	Not Used
K	BRN/WHT	230	Instrument Panel Lamps Dimming Control	K	BRN/WHT	230	Instrument Panel Lamps Dimming Control
L	BLK	1350	Ground	L	BLK	1350	Ground
P	TAN	294	Door Lock Motor Unlock	P	TAN	294	Door Lock Motor Unlock

2004 Isuzu Ascender LS

2004 ACCESSORIES & EQUIPMENT Wiring System (Component Locator 2 Of 2) - Ascender

R	GRY	295	Door Lock Motor Lock	R	GRY	295	Door Lock Motor Lock
S	YEL	116	Left Rear Speaker Output (-)	S	YEL	116	Left Rear Speaker Output (-)
T	BRN	199	Left Rear Speaker Output (+)	T	BRN	199	Left Rear Speaker Output (+)

C800 Connector End View



Connector Part Information

- 12177259
- 10-Way F Metri-Pack 280 Series (BLK)
- 12177260
- 7-Way F Metri-Pack 280 Series GT 150 (BLK)

Connector Part Information

- 15358897
- 17-Way M Metri-Pack 280 Series (NAT)

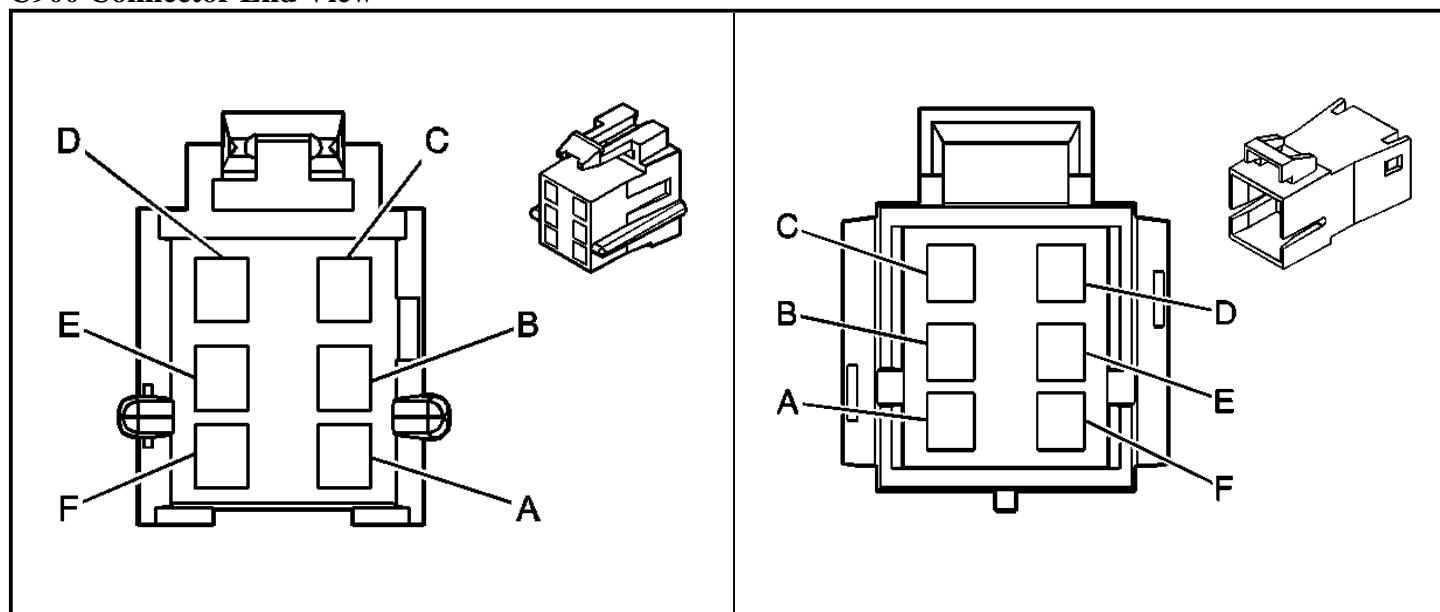
Pin	Wire Color	Circuit No.	Function	Pin	Wire Color	Circuit No.	Function
A	LT GRN/ BLK	748	Right Rear Door Ajar Switch Signal	A	LT GRN/ BLK	748	Right Rear Door Ajar Switch Signal
B	GRY/BLK	1186	Power Window Switch Right Rear Up Signal	B	GRY/BLK	1186	Power Window Switch Right Rear Up Signal
C	DK GRN	1188	Power Window Switch Right Rear Down Signal	C	DK GRN	1188	Power Window Switch Right Rear Down Signal
D	-	-	Not Used	D	-	-	Not Used
E	ORN	1340	Battery Positive Voltage	E	ORN	1340	Battery Positive Voltage
F	-	-	Not Used	F	-	-	Not Used
G	BLK	1450	Ground	G	BLK	1450	Ground
			Power Window Lockout				Power Window Lockout

2004 Isuzu Ascender LS

2004 ACCESSORIES & EQUIPMENT Wiring System (Component Locator 2 Of 2) - Ascender

H	LT GRN	2266	Right Rear Signal	H	LT GRN	2266	Right Rear Signal
J	-	-	Not Used	J	-	-	Not Used
K	BRN/WHT	230	Instrument Panel Lamps Dimming Control	K	BRN/WHT	230	Instrument Panel Lamps Dimming Control
L	BLK	1450	Ground	L	BLK	1450	Ground
P	TAN	294	Door Lock Motor Unlock	P	TAN	294	Door Lock Motor Unlock
R	GRY	295	Door Lock Motor Lock	R	GRY	295	Door Lock Motor Lock
S	DK BLU	46	Right Rear Speaker Output (+)	S	DK BLU	46	Right Rear Speaker Output (+)
T	LT BLU	115	Right Rear Speaker Output (-)	T	LT BLU	115	Right Rear Speaker Output (-)

C900 Connector End View



Connector Part Information

- 12064752
- 6-Way F Metri-Pack 280 Series (BLK)

Connector Part Information

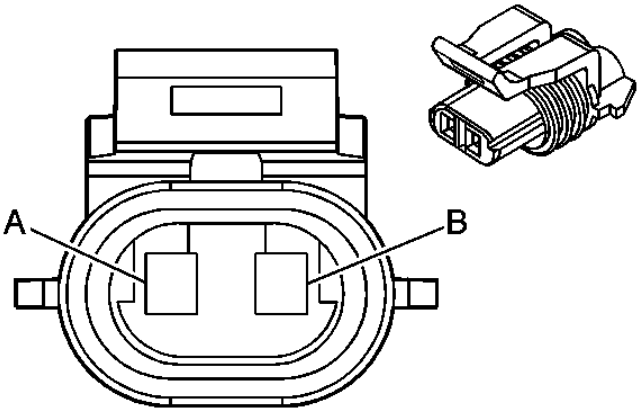
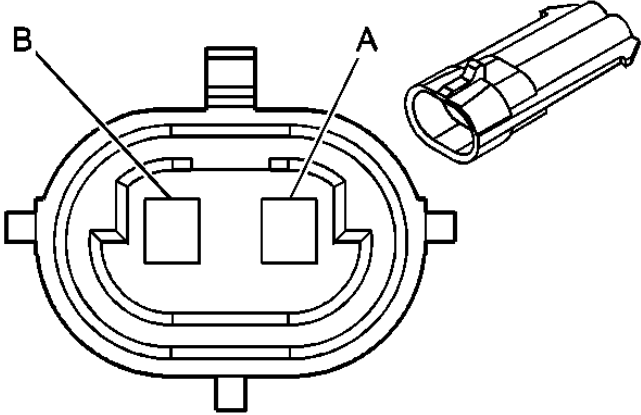
- 12064754
- 6-Way M Metri-Pack 280 Series (BLK)

Pin	Wire Color	Circuit No.	Function	Pin	Wire Color	Circuit No.	Function
A	ORN	2740	Battery Positive Voltage	A	ORN	2740	Battery Positive Voltage
B	ORN	4440	Battery Positive Voltage	B	ORN	4440	Battery Positive Voltage
C	ORN	3640	Battery Positive Voltage	C	ORN	3640	Battery Positive Voltage
D	BLK	1550	Ground	D	BLK	1550	Ground
E	LT BLU	2288	LGM Class 2 Serial Data	E	LT BLU	2288	LGM Class 2 Serial Data
F	BRN	2509	Left Rear Park Lamps Supply Voltage	F	BRN	2509	Left Rear Park Lamps Supply Voltage

2004 Isuzu Ascender LS

2004 ACCESSORIES & EQUIPMENT Wiring System (Component Locator 2 Of 2) - Ascender

C901 Connector End View

							
Connector Part Information		<ul style="list-style-type: none"> • 12052644 • 2-Way F Metri-Pack 150 Series Sealed (GRY) 		Connector Part Information		<ul style="list-style-type: none"> • 12162343 • 2-Way M Metri-Pack 150 (GRY) 	
Pin	Wire Color	Circuit No.	Function	Pin	Wire Color	Circuit No.	Function
A	BRN	2509	Left Rear Park Lamps Supply Voltage	A	BRN	2509	Left Rear Park Lamps Supply Voltage
B	BLK	1550	Ground	B	BLK	1550	Ground