

## 2008 Isuzu Ascender LS

2008 Accessories & Equipment Interior Trim & Paneling - Ascender, Envoy & Trailblazer

### 2008 Accessories & Equipment

#### Interior Trim & Paneling - Ascender, Envoy & Trailblazer

## SPECIFICATIONS

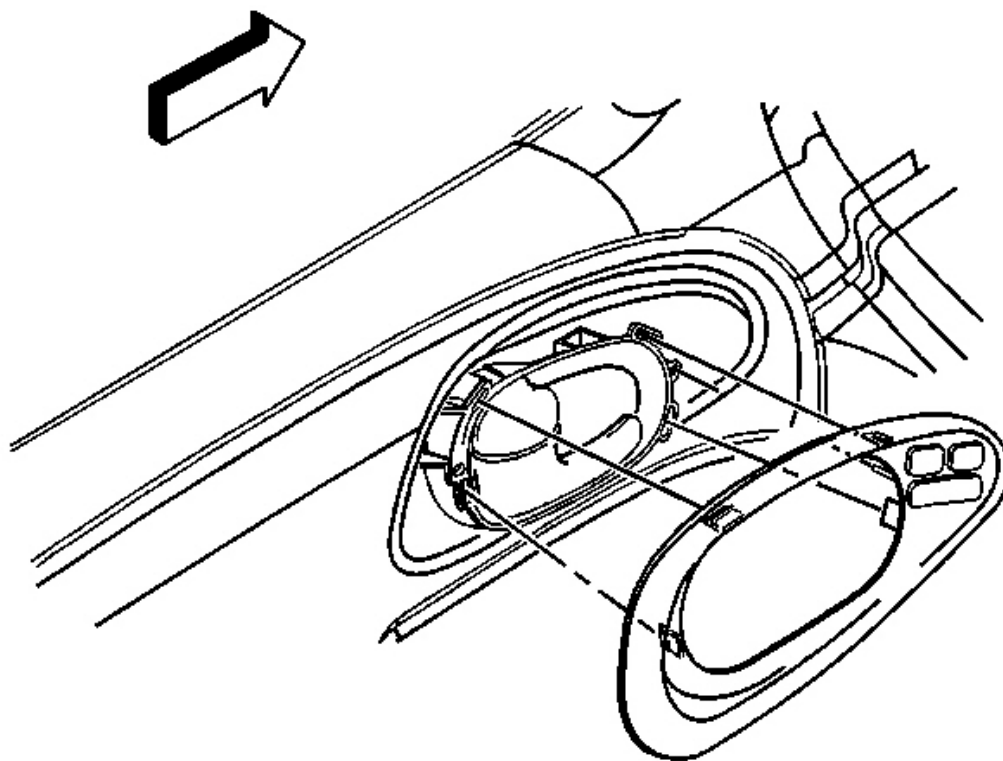
### FASTENER TIGHTENING SPECIFICATIONS

Application	Specification	
	Metric	English
Auxiliary Air Outlet retaining Nuts	2 N.m	18 lb in
Coat Hook Retaining Bolts	10 N.m	89 lb in
Rear Quarter Trim Panel Screws	2.5 N.m	22 lb in
Seat Belt Anchor Bolts	70 N.m	52 lb ft
Seat Belt Lower Anchor Bolts	70 N.m	52 lb ft
Seat Belt Upper Guide Bolts	70 N.m	52 lb ft
Sunshade Inboard Retaining Screws	1.2 N.m	10 lb in
Trim Panel Retaining Bolts	10 N.m	89 lb in
Trim Panel Retaining Screws	2.5 N.m	22 lb in
Upper Quarter Trim Panel Screws	2 N.m	18 lb in

## REPAIR INSTRUCTIONS

### DOOR HANDLE BEZEL REPLACEMENT

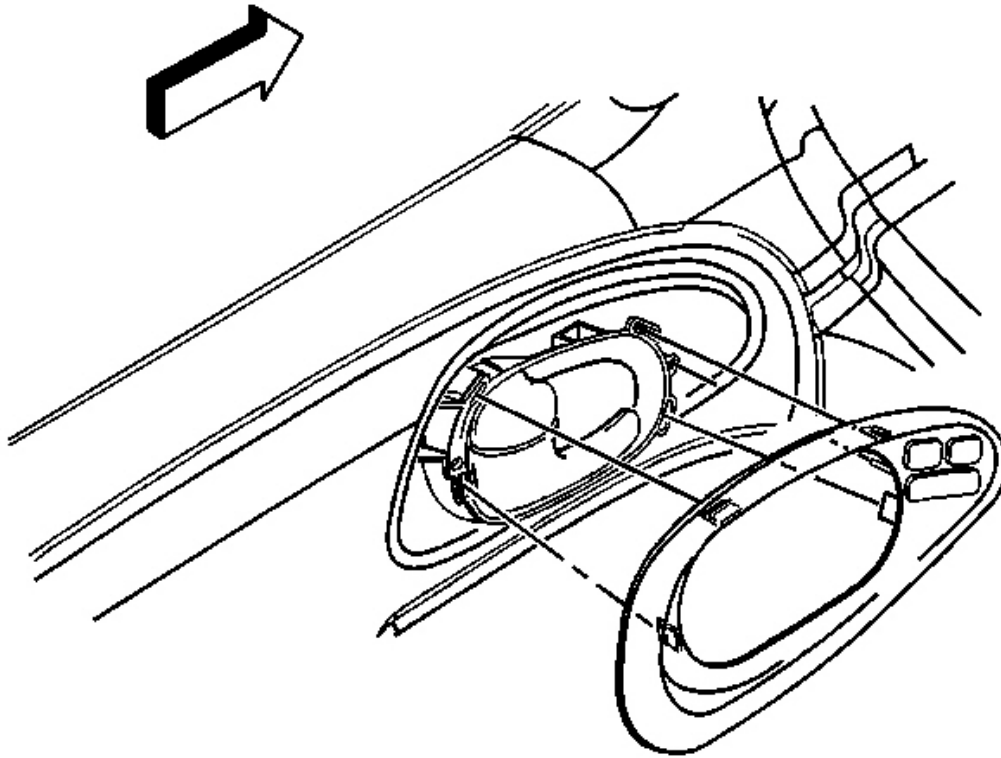
#### Removal Procedure



**Fig. 1: View Of Door Handle Bezel**  
Courtesy of GENERAL MOTORS CORP.

1. Remove the door trim panel from the door. Refer to **Front Side Door Trim Panel Replacement** or **Rear Side Door Trim Panel Replacement**.
2. Release the 4 tabs retaining the bezel to the trim panel.
3. Remove the bezel from the trim panel.

**Installation Procedure**



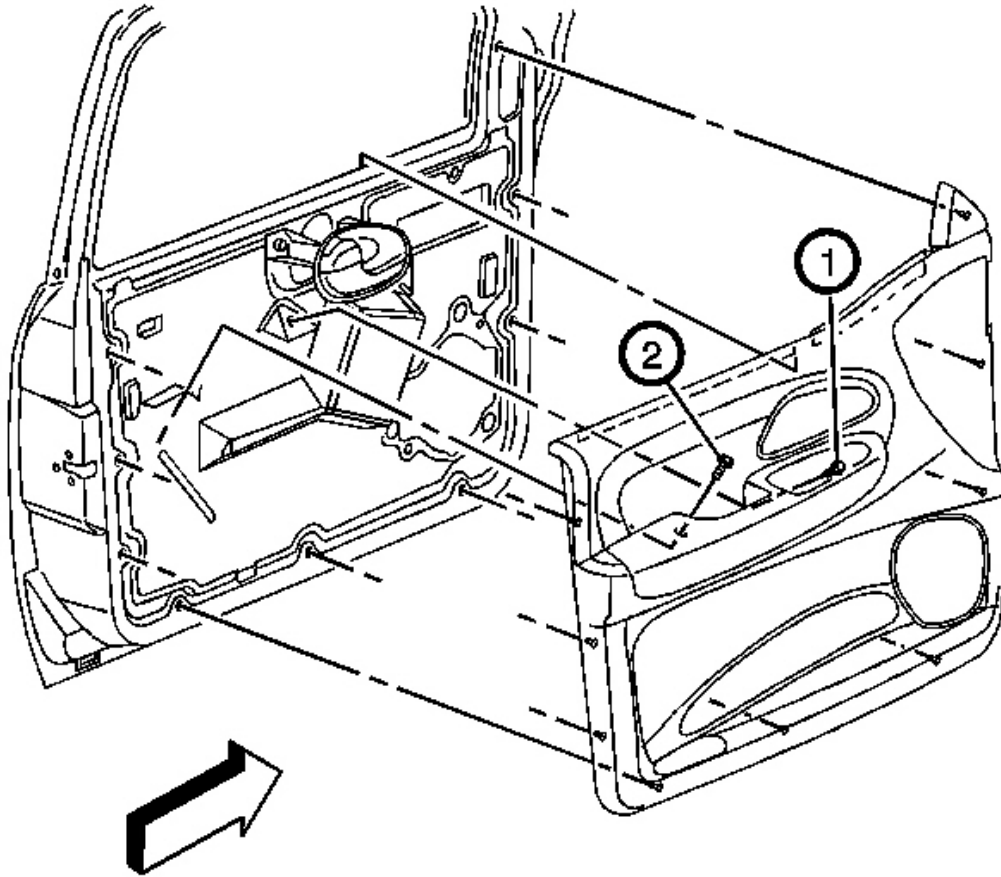
**Fig. 2: View Of Door Handle Bezel**  
Courtesy of GENERAL MOTORS CORP.

1. Install the bezel to the door, ensuring that all 4 retaining tabs are fully seated.
2. Install the door trim panel to the door. Refer to **Front Side Door Trim Panel Replacement** or **Rear Side Door Trim Panel Replacement**.

## **FRONT SIDE DOOR TRIM PANEL REPLACEMENT**

### **Removal Procedure**

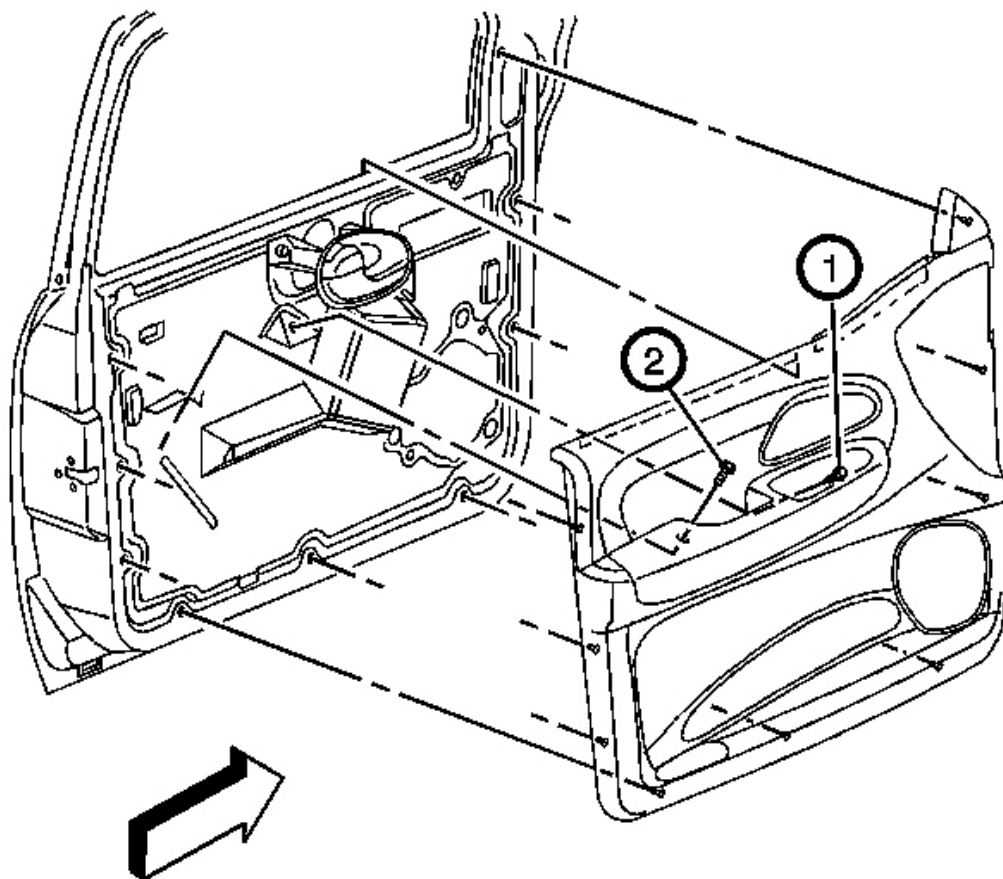
1. Remove the accessory switch panel. Refer to **Door Lock and Side Window Switch Replacement - Driver Side** .



**Fig. 3: View Of Trim Panel With Retaining Bolts Removed**  
Courtesy of GENERAL MOTORS CORP.

2. Remove the 2 trim panel retaining bolts (1 and 2).
3. Pull to release the 9 trim panel fasteners from the door.
4. Remove the trim panel from the door.
5. Remove the inside door handle bezel. Refer to **Door Handle Bezel Replacement**.
6. Remove the outside rear view mirror (ORVM) switch, if equipped. Refer to **Power Mirror Switch Replacement**.

**Installation Procedure**



**Fig. 4: View Of Trim Panel With Retaining Bolts Removed**  
Courtesy of GENERAL MOTORS CORP.

1. Install the ORVM switch, if equipped. Refer to **Power Mirror Switch Replacement** .
2. Install the door trim panel to the door, as follows:
  1. Install the panel on the door by placing the upper flange into the belt seal lip.
  2. First install the forward upper retainer.
  3. Second install the rear upper retainer.
  4. Install the remaining seven retainers.
  5. Install the forward trim panel retaining bolt first (1). Do not tighten the bolt.
  6. Install the rearward trim panel retaining bolt second (2).

**NOTE:** Refer to **Fastener Notice** .

## 2008 Isuzu Ascender LS

2008 Accessories & Equipment Interior Trim & Paneling - Ascender, Envoy & Trailblazer

7. Tighten the 2 retaining bolts.

**Tighten:** Tighten the bolts to 10 N.m (89 lb in).

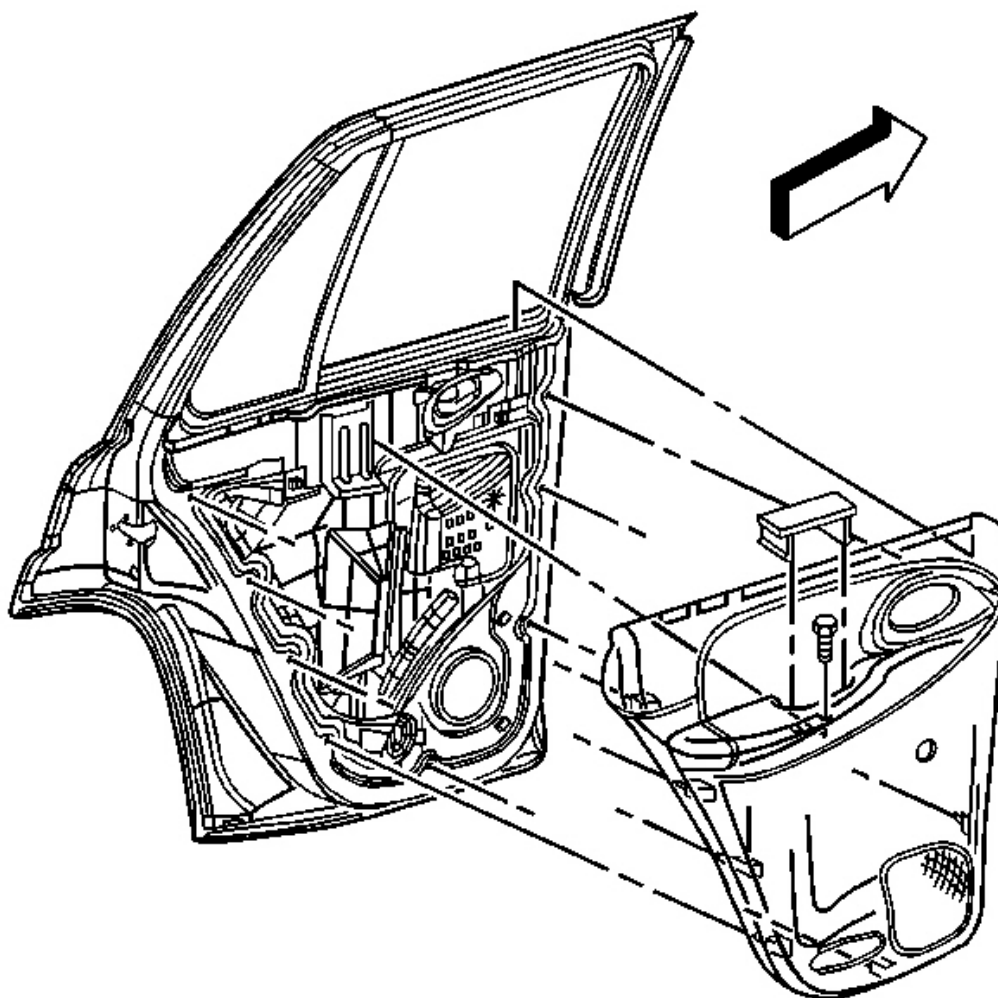
3. Install the inside door handle bezel. Refer to **Door Handle Bezel Replacement**.
4. Install the accessory switch panel. Refer to **Door Lock and Side Window Switch Replacement - Driver Side**.

### REAR SIDE DOOR TRIM PANEL REPLACEMENT

#### Tools Required

**J 36796** Clip Removal Tool

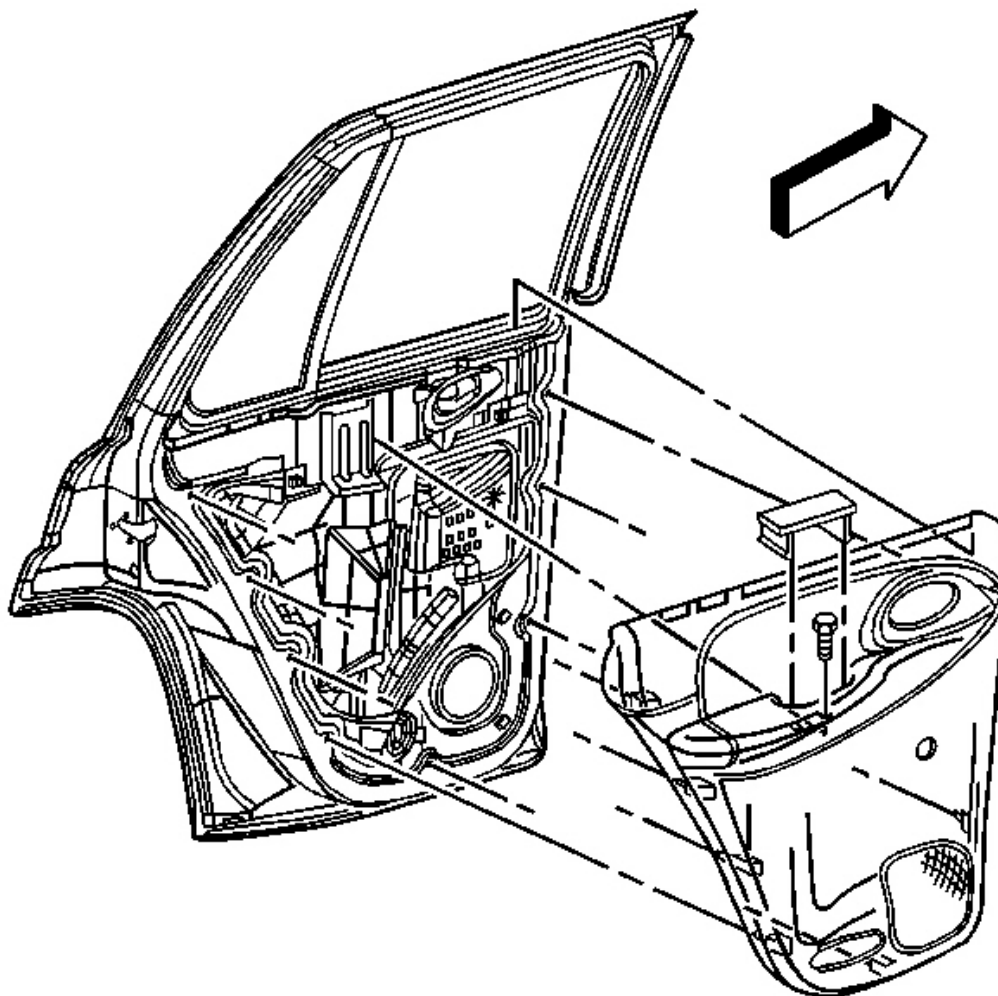
#### Removal Procedure



**Fig. 5: View Of Door & Trim Panel**  
Courtesy of GENERAL MOTORS CORP.

1. Remove the cover from the trim panel.
2. Remove the 2 retaining screws from the trim panel.
3. Remove the power window switch. Refer to **Rear Side Door Window Switch Replacement**.
4. Use the **J 36796** in order to release the fasteners that retain the trim panel to the door.
5. Remove the trim panel from the door.

**Installation Procedure**



**Fig. 6: View Of Door & Trim Panel**  
Courtesy of GENERAL MOTORS CORP.

1. Install the trim panel to the door, ensuring that all the retaining tabs are fully seated.
2. Install the power window switch. Refer to **Rear Side Door Window Switch Replacement** .

**NOTE:** Refer to **Fastener Notice** .

3. Install the 2 retaining screws to the trim panel.

**Tighten:** Tighten the screws to 2.5 N.m (22 lb in).

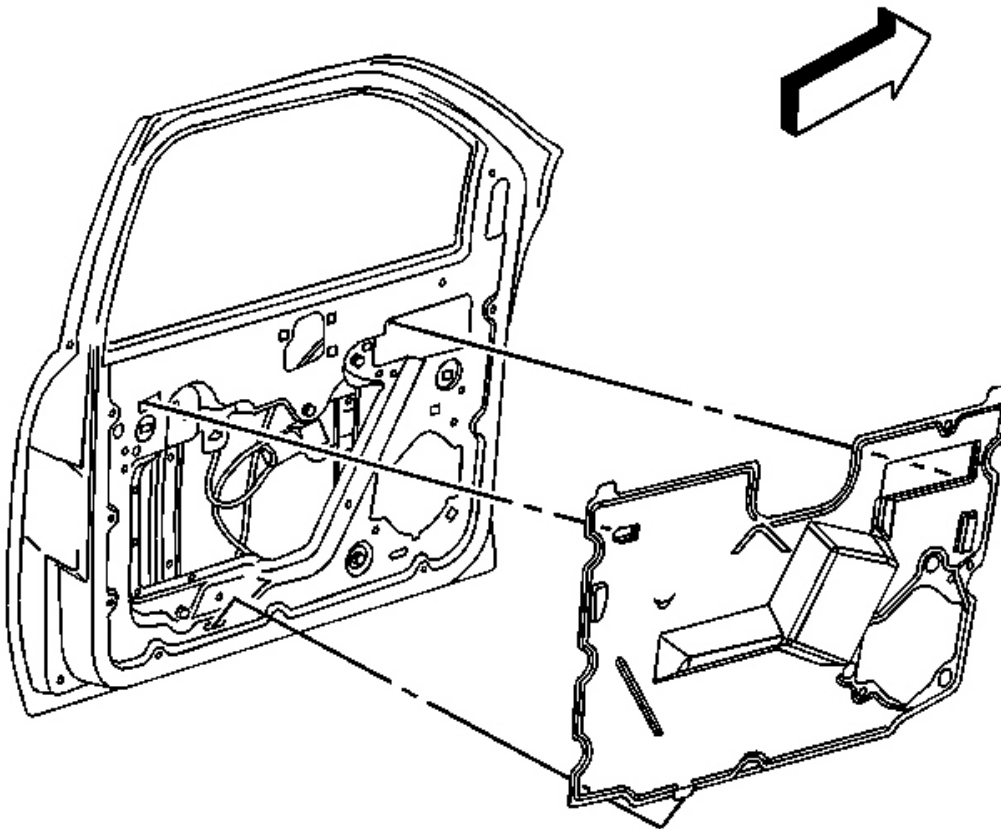


4. Install the cover to the trim panel.

## FRONT SIDE DOOR WATER DEFLECTOR REPLACEMENT

### Removal Procedure

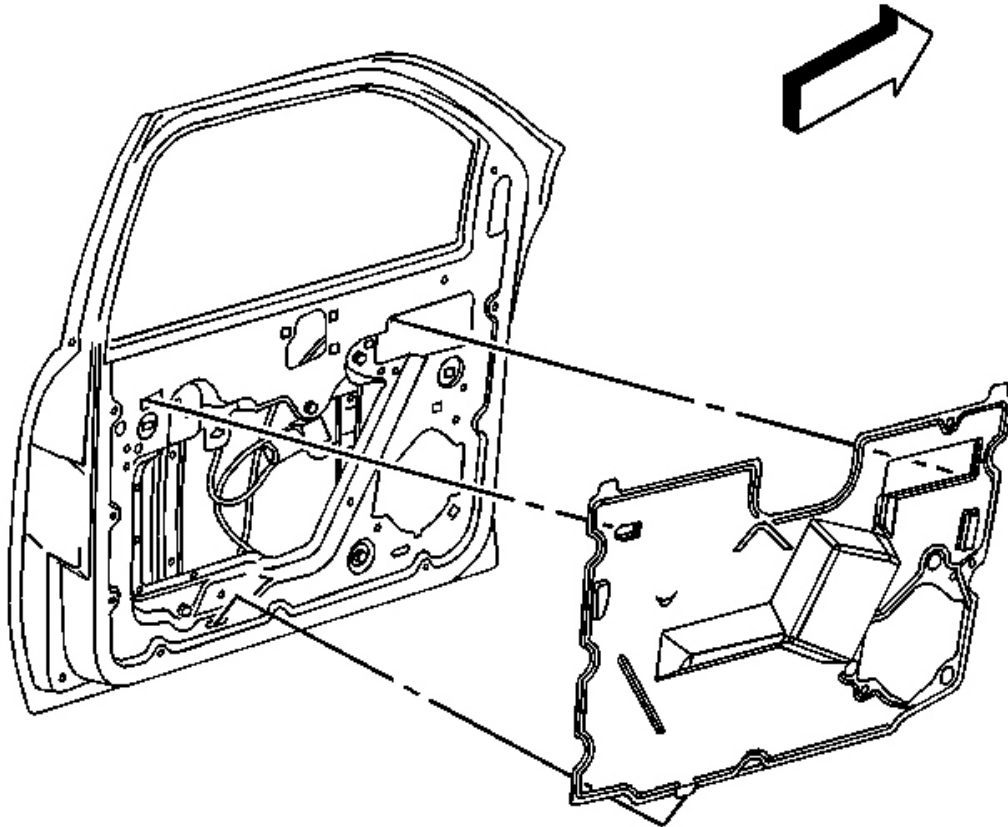
1. Remove the door trim panel. Refer to **Front Side Door Trim Panel Replacement**.
2. Remove the speaker. Refer to **Radio Front Side Door Speaker Replacement**.



**Fig. 7: Identifying Front Door Water Deflector**  
Courtesy of GENERAL MOTORS CORP.

3. Remove the outside rear view mirror (ORVM) wire harness from the door.
4. Carefully remove the water deflector from the door by releasing the adhesive backing.

### Installation Procedure



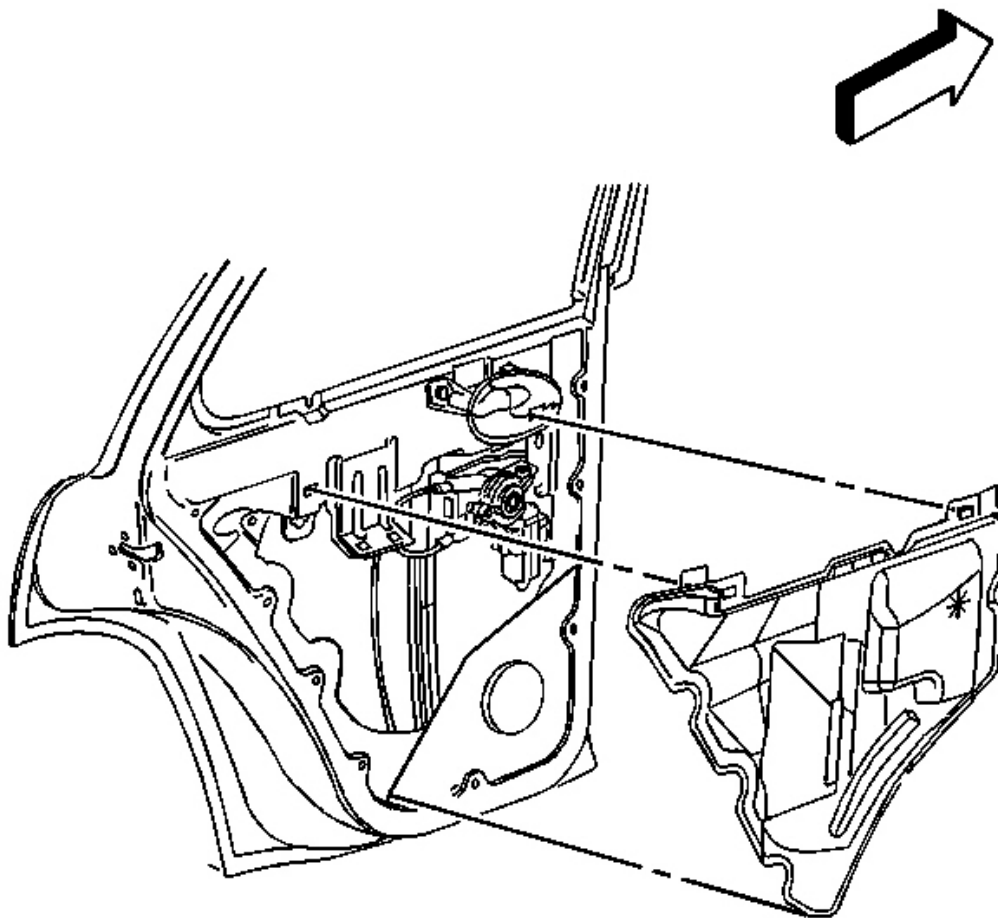
**Fig. 8: Identifying Front Door Water Deflector**  
Courtesy of GENERAL MOTORS CORP.

1. Position the water deflector to the door.
2. Press the water deflector to the door. Ensure that the water deflector forms a proper seal around the surface of the door panel.
3. Install the ORVM wire harness to the door.
4. Install the speaker. Refer to **Radio Front Side Door Speaker Replacement** .
5. Install the door trim panel. Refer to **Front Side Door Trim Panel Replacement**.

## REAR SIDE DOOR WATER DEFLECTOR REPLACEMENT

### Removal Procedure

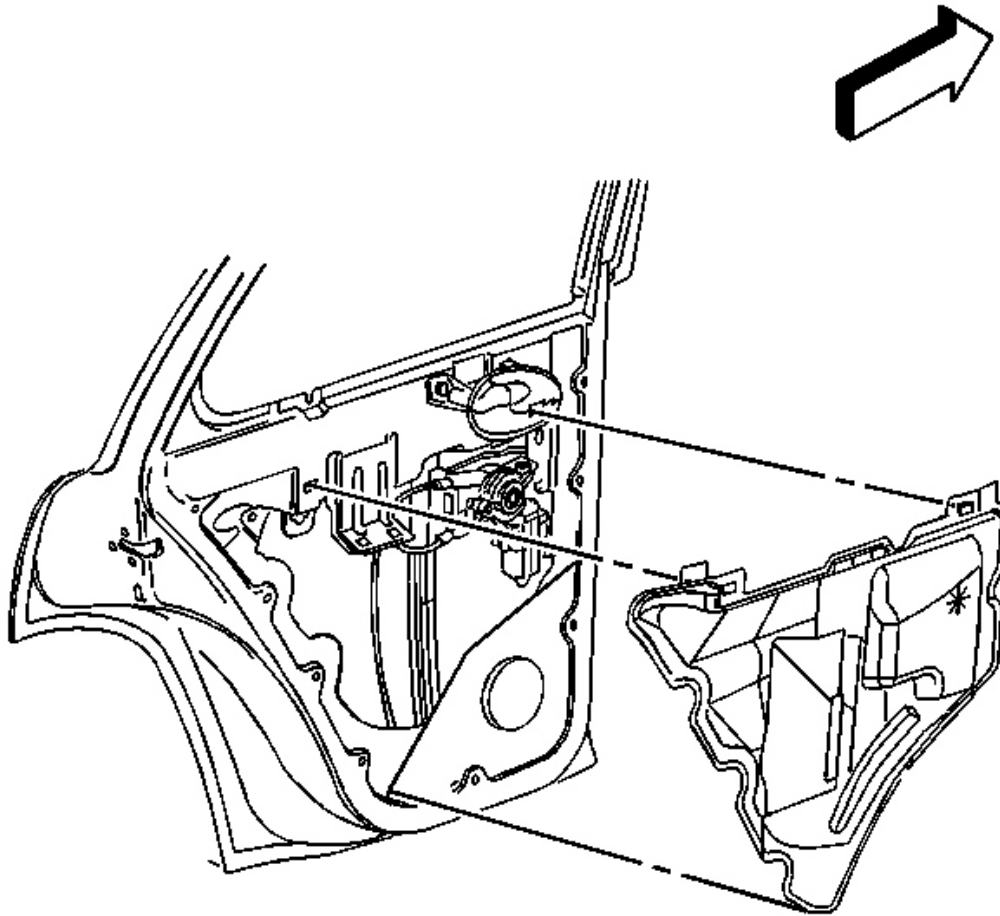
1. Open the door.
2. Remove the door trim panel. Refer to **Rear Side Door Trim Panel Replacement**.



**Fig. 9: View Of Door & Water Deflector**  
Courtesy of GENERAL MOTORS CORP.

3. Carefully remove the water deflector from the door by releasing the adhesive backing.

**Installation Procedure**



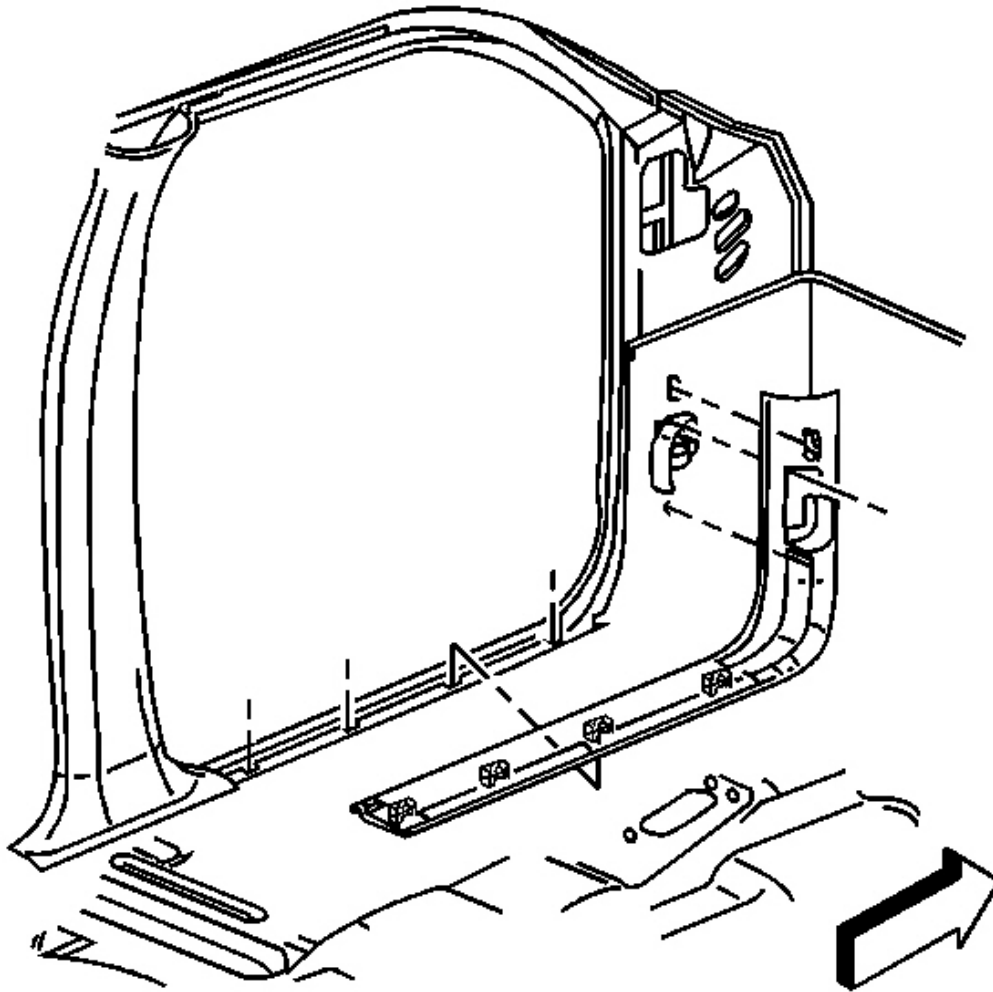
**Fig. 10: View Of Door & Water Deflector**  
Courtesy of GENERAL MOTORS CORP.

1. Position the water deflector to the door.
2. Press the water deflector to the door. Ensure that the water deflector forms a proper seal around the surface of the door panel.
3. Install the door trim panel. Refer to **Rear Side Door Trim Panel Replacement**.

## FRONT SIDE DOOR SILL PLATE REPLACEMENT

### Removal Procedure

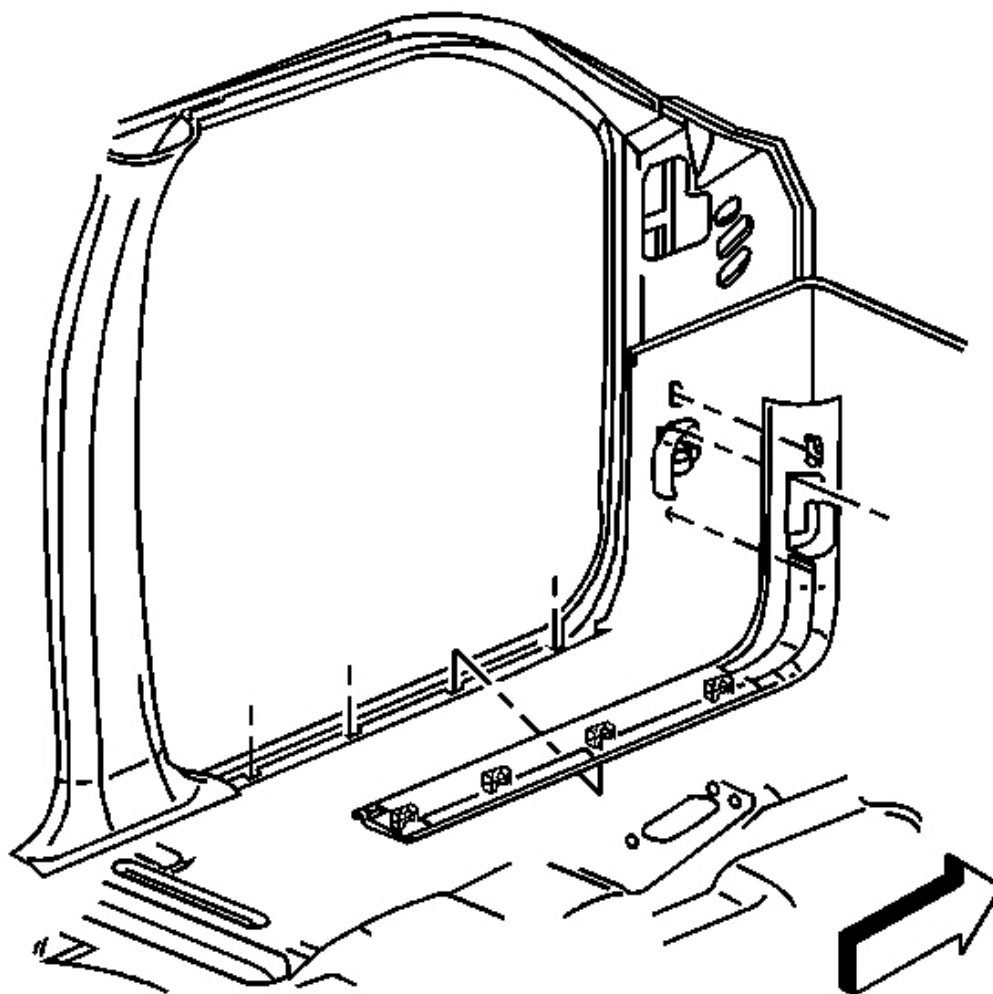
1. If removing the right sill plate, remove the right insulator panel. Refer to **Instrument Panel Insulator Panel Replacement - Right Side**.



**Fig. 11: View Of Door Sill Plate (Front)**  
Courtesy of GENERAL MOTORS CORP.

2. Starting at the rear of the sill plate, use a flat-bladed tool in order to release the 5 retaining tabs.
3. If removing the left sill plate, remove the sill plate from the hood release handle.
4. Remove the sill plate from the door frame.
5. Remove any retaining tabs that remain attached to the door frame.

**Installation Procedure**

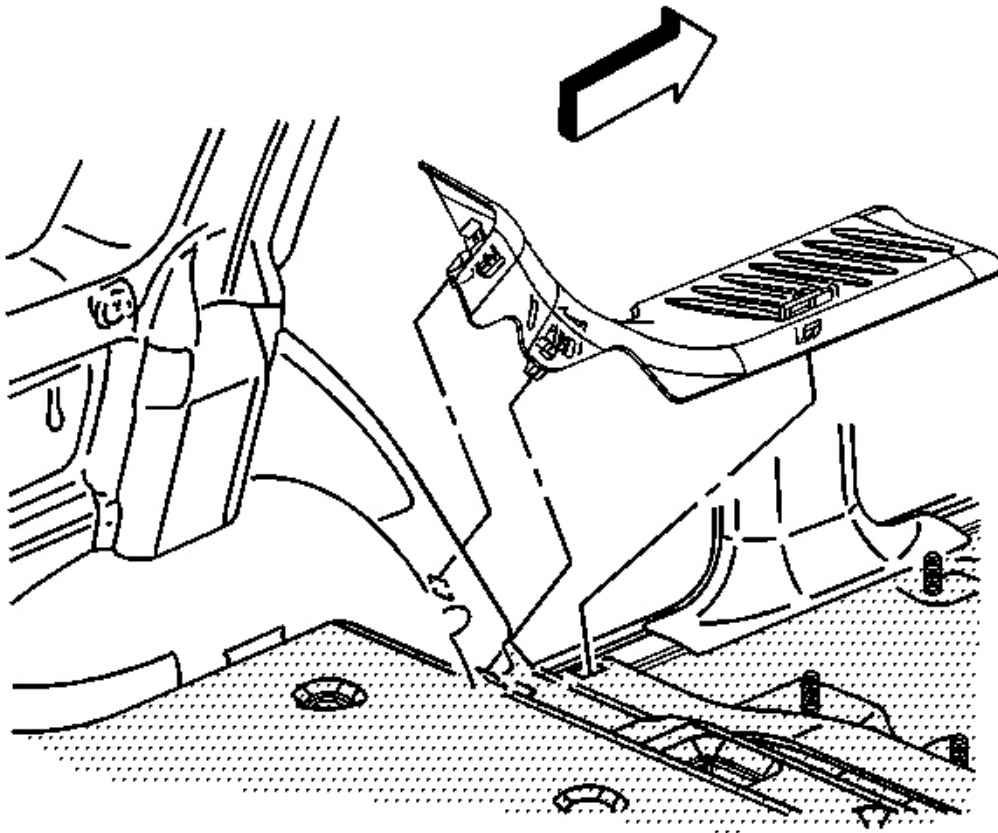


**Fig. 12: View Of Door Sill Plate (Front)**  
Courtesy of GENERAL MOTORS CORP.

1. Ensure that all 5 retaining tabs are securely attached to the sill plate.
2. If installing the left sill plate, position the hood release handle through the sill plate.
3. Align the retaining tabs to the door frame slots.
4. Starting at the front of the sill plate, push down on the sill plate, seating the retaining tabs to the door frame.
5. If installing the right sill plate, install the right insulator panel. Refer to **Instrument Panel Insulator Panel Replacement - Right Side** .

## REAR SIDE DOOR SILL PLATE REPLACEMENT

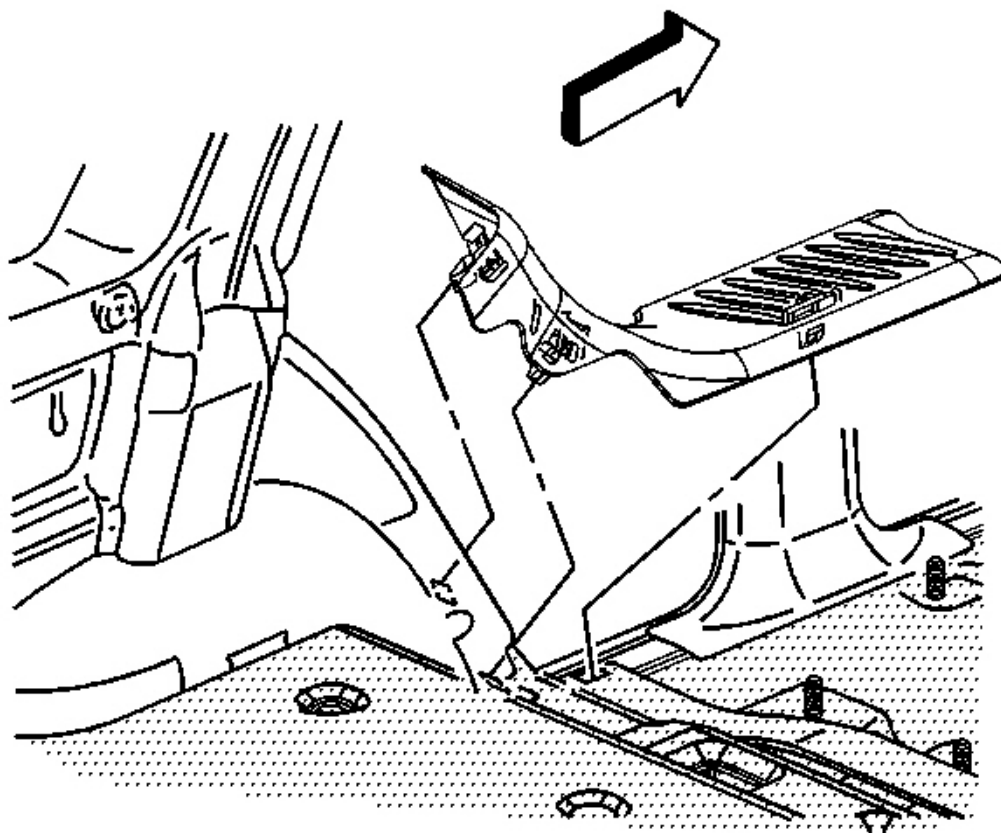
### Removal Procedure



**Fig. 13: View Of Door Sill Plate (Rear-Short Wheelbase)**  
Courtesy of GENERAL MOTORS CORP.

1. Use a flat-bladed tool in order to release the 3 sill plate retaining tabs.
2. Remove the sill plate from the door frame.
3. Remove any retaining tabs that remain attached to the door frame.

### Installation Procedure



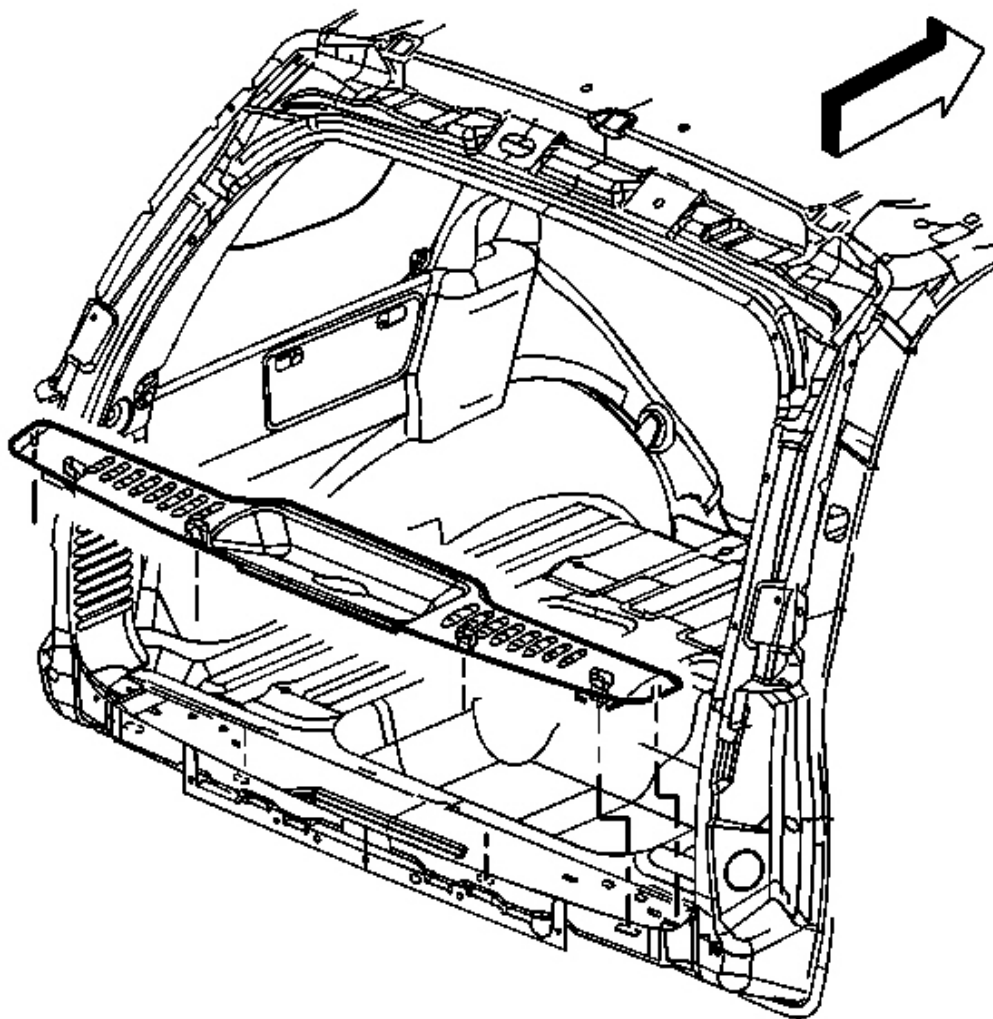
**Fig. 14: View Of Door Sill Plate (Rear-Short Wheelbase)**  
Courtesy of GENERAL MOTORS CORP.

1. Ensure that all 3 retaining tabs are attached to the sill plate.
2. Align the retaining tabs to the door frame slots.
3. Push down on the sill plate, seating the retaining tabs to the door frame.

## **LIFTGATE DOOR SILL PLATE REPLACEMENT**

### **Removal Procedure**

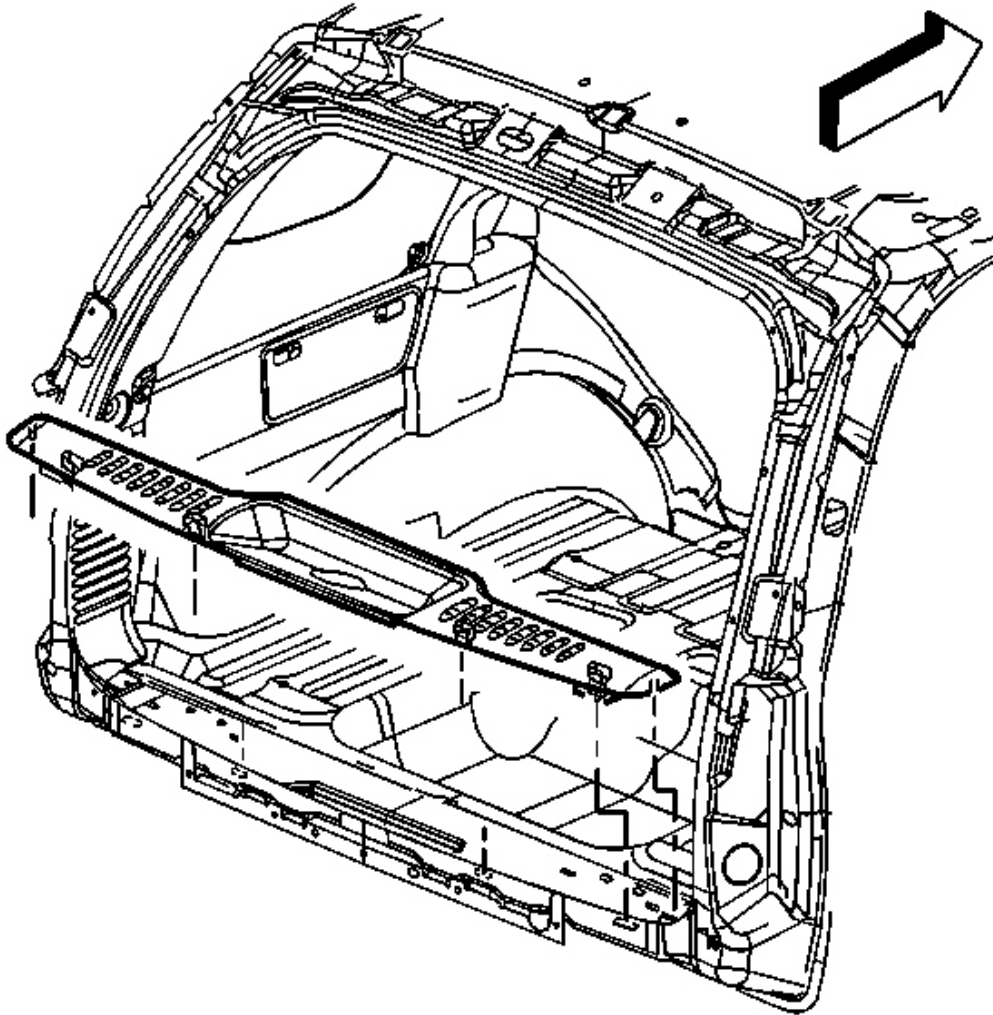




**Fig. 15: Door Sill Plate (Liftgate)**  
Courtesy of GENERAL MOTORS CORP.

1. Use a flat-bladed tool in order to release the 4 sill plate retaining tabs.
2. Remove the sill plate from the door frame.
3. Remove any retaining tabs that remain attached to the door frame.

**Installation Procedure**

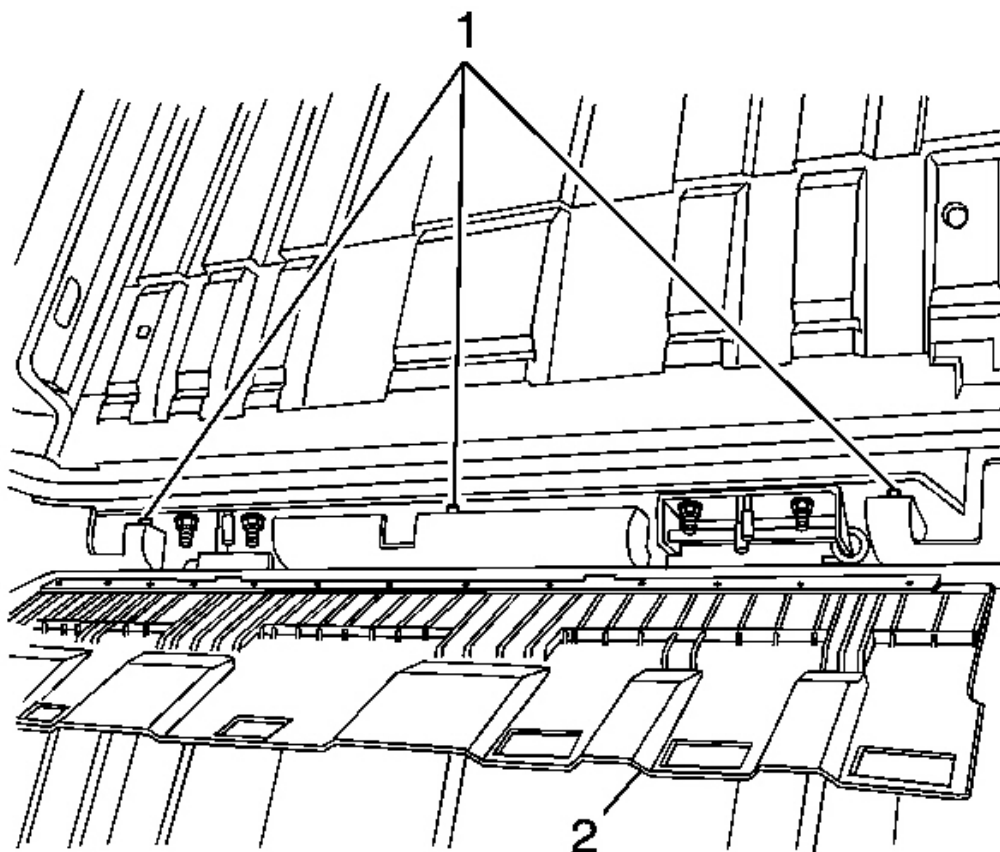


**Fig. 16: Door Sill Plate (Liftgate)**  
Courtesy of GENERAL MOTORS CORP.

1. Ensure that all 4 retaining tabs are securely attached to the sill plate.
2. Align the retaining tabs to the liftgate door frame slots.
3. Push down on the sill plate, seating the retaining tabs to the door frame.

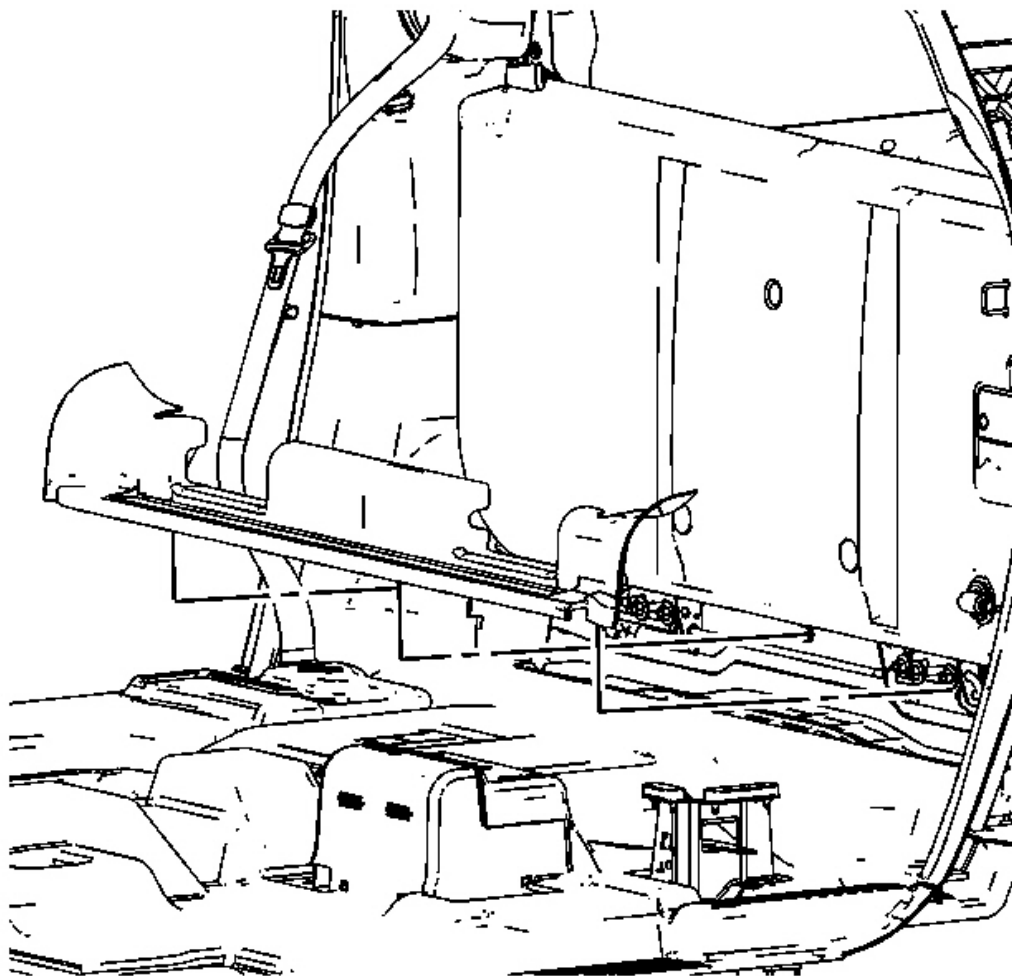
## REAR FLOOR TRIM PANEL TRIM COVER REPLACEMENT

### Removal Procedure



**Fig. 17: Accessing Trim Cover Retaining Clips**  
Courtesy of GENERAL MOTORS CORP.

1. Lower the midgate.
2. Fold the hinged midgate filler trim panel (2) back.
3. Release the trim cover retaining clips (1) from the sheet metal.

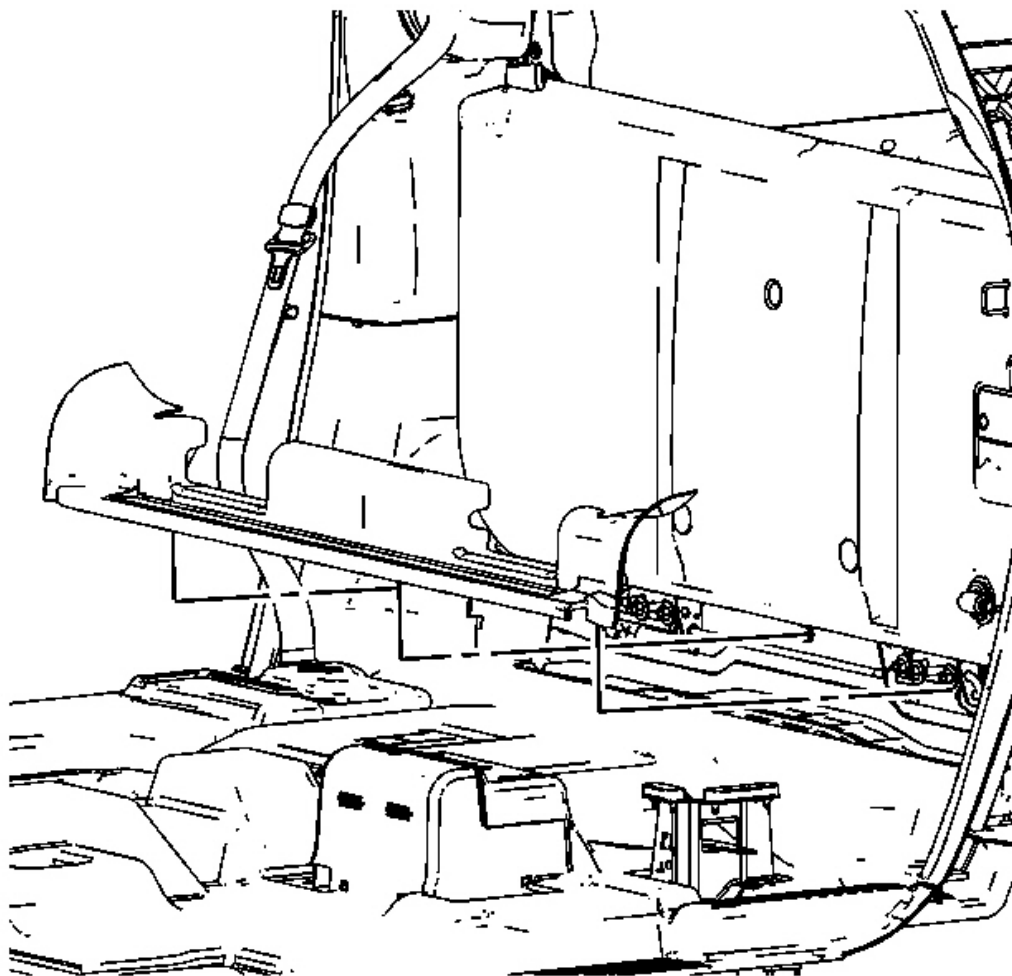


**Fig. 18: View Of Rear Floor Trim Panel**  
Courtesy of GENERAL MOTORS CORP.

4. Raise the midgate to the closed position.
5. Remove the rear floor trim panel by grasping and pulling straight out to release the retaining clips.
6. Remove the rear floor trim panel from the vehicle

**Installation Procedure**

1. Raise the midgate to the closed position.



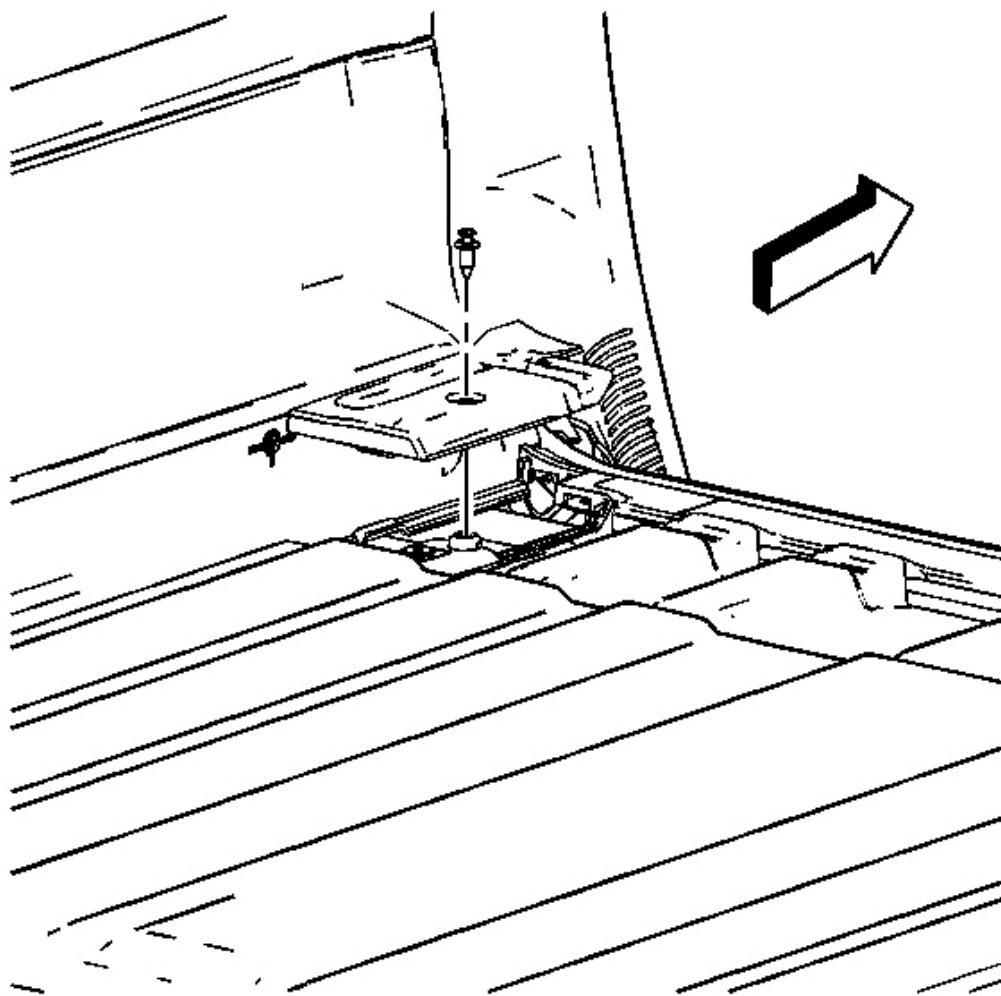
**Fig. 19: View Of Rear Floor Trim Panel**  
Courtesy of GENERAL MOTORS CORP.

2. Ensure that the retaining clips are securely installed on the back side of the rear floor trim panel.
3. Install the rear floor trim panel by pressing the retaining clips into the sheet metal openings.

## **REAR FLOOR FRONT TRIM PLATE REPLACEMENT**

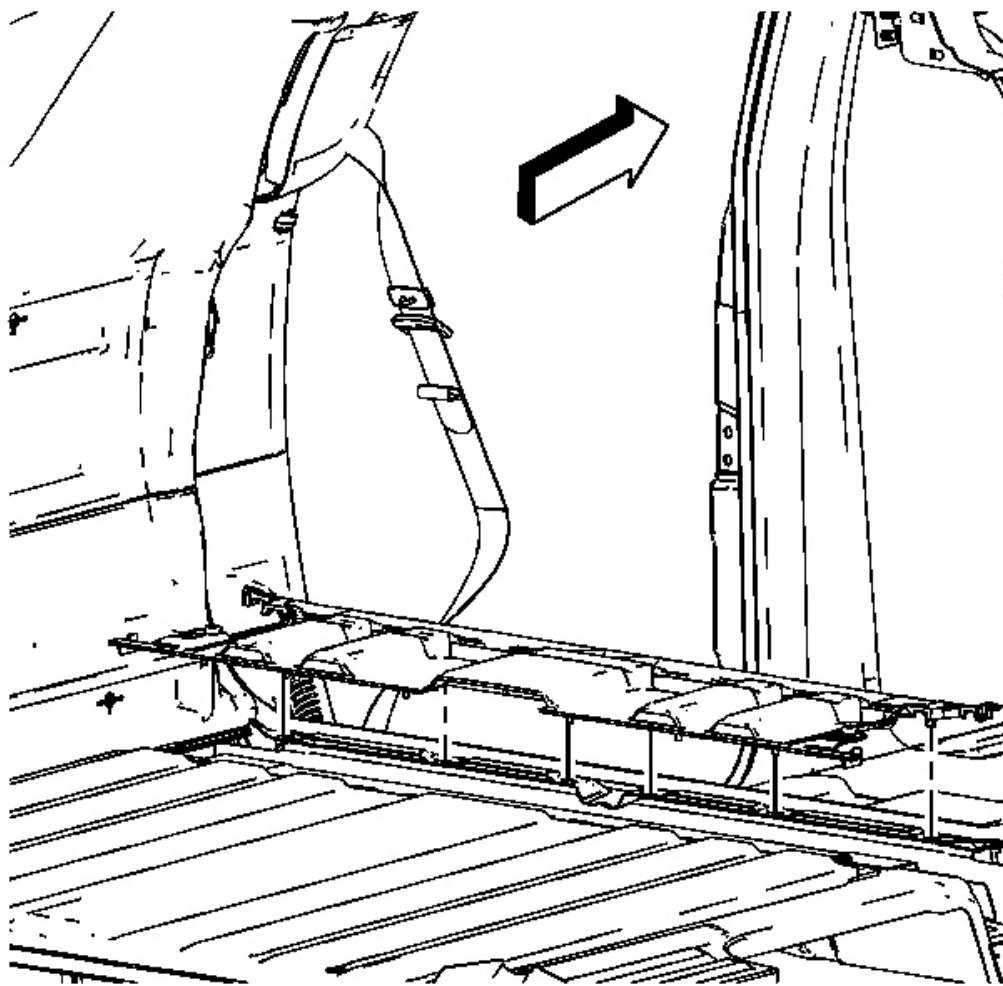
### **Removal Procedure**

1. Lower the midgate to the cargo position.
2. Raise the hinged filler panel on the back of the midgate.



**Fig. 20: View Of Pushpins Securing Rear Floor Front Trim Panel End Covers**  
Courtesy of GENERAL MOTORS CORP.

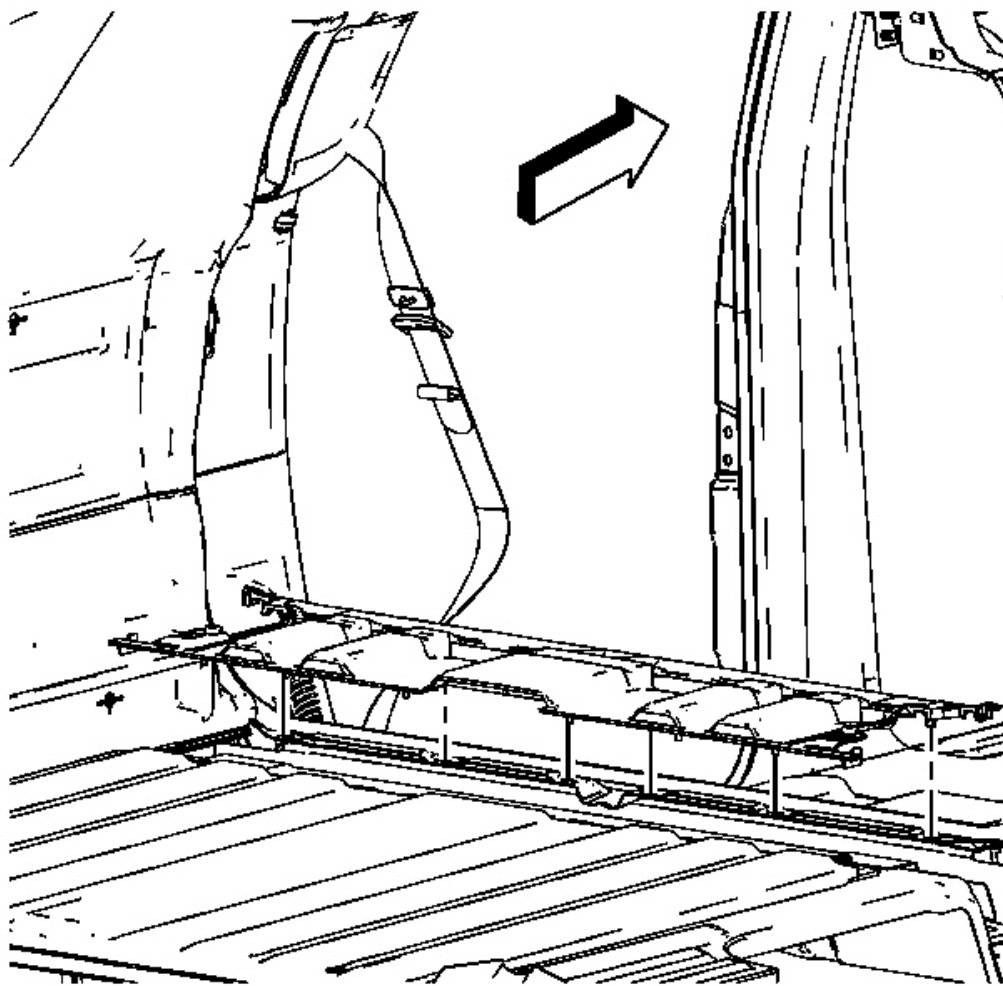
3. Remove the pushpins securing the rear floor front trim panel end covers by unscrewing the retainer pin.
4. Remove the rear floor front trim panel end covers.
5. Remove 2 push pin fasteners by lifting up on each end of the rear floor front trim panel.



**Fig. 21: View Of Rear Floor Front Trim Panel**  
Courtesy of GENERAL MOTORS CORP.

6. Grasp the front edge of the rear floor front trim panel and pull straight up to release the retaining clips along the front edge.
7. Remove the rear floor front trim panel by pulling straight up to release the retaining clips along the rear edge.
8. Remove the rear floor front trim panel from the vehicle

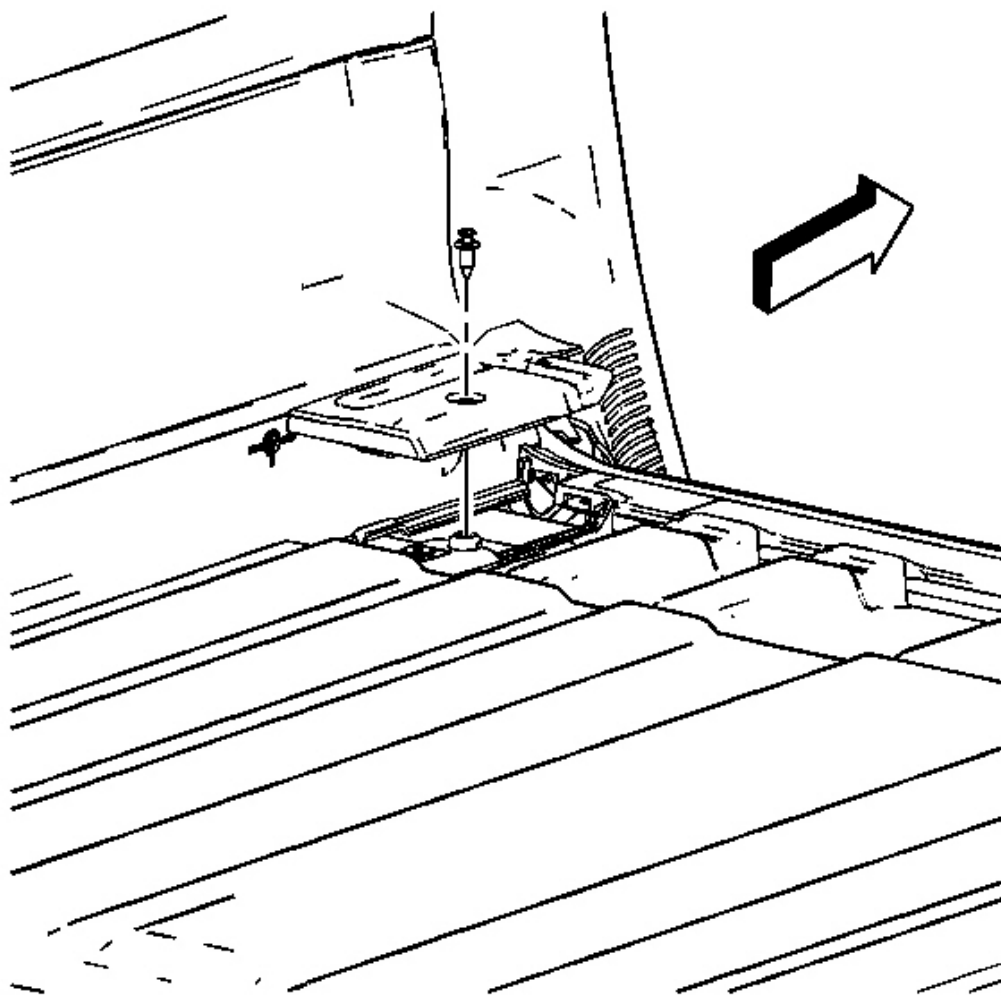
**Installation Procedure**



**Fig. 22: View Of Rear Floor Front Trim Panel**  
Courtesy of GENERAL MOTORS CORP.

1. Ensure that the retaining clips are securely installed on the back side of the rear floor front trim panel.
2. Lift up on the front edge of the cargo mat and slide the rear floor trim panel into position.
3. Position the rear floor front trim panel so that the fasteners align with their respective holes.
4. Install the rear floor front trim panel by pressing the retaining clips and fasteners into the sheet metal openings.



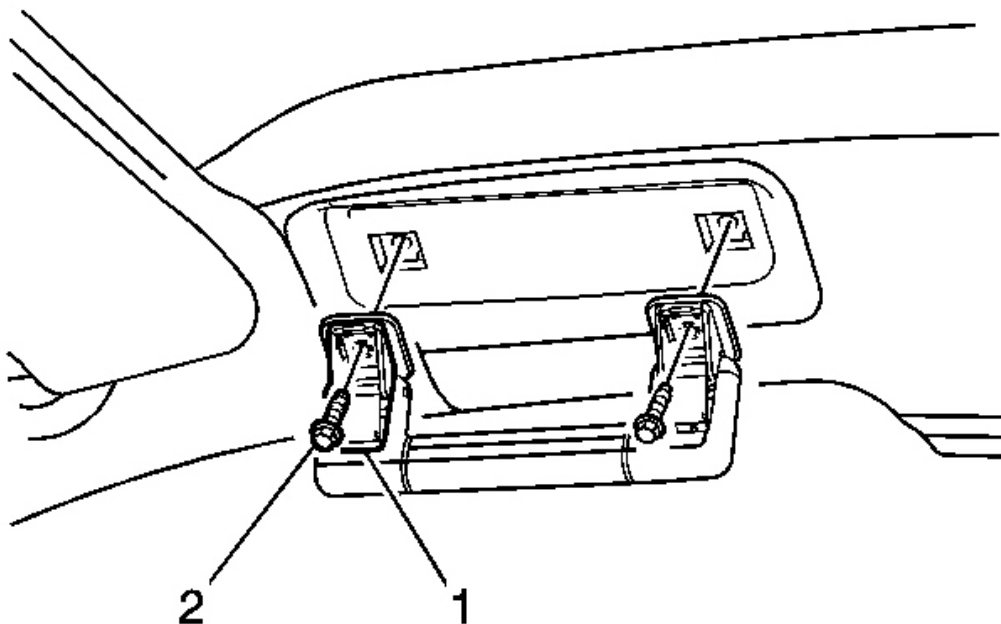


**Fig. 23: View Of Pushpins Securing Rear Floor Front Trim Panel End Covers**  
Courtesy of GENERAL MOTORS CORP.

5. Install the rear floor front trim panel end covers by pressing them in place.
6. Install the pushpin in each rear floor front trim panel end cover by pushing the pin into the hole and screwing in the retainer pin.

## **ASSIST HANDLE REPLACEMENT**

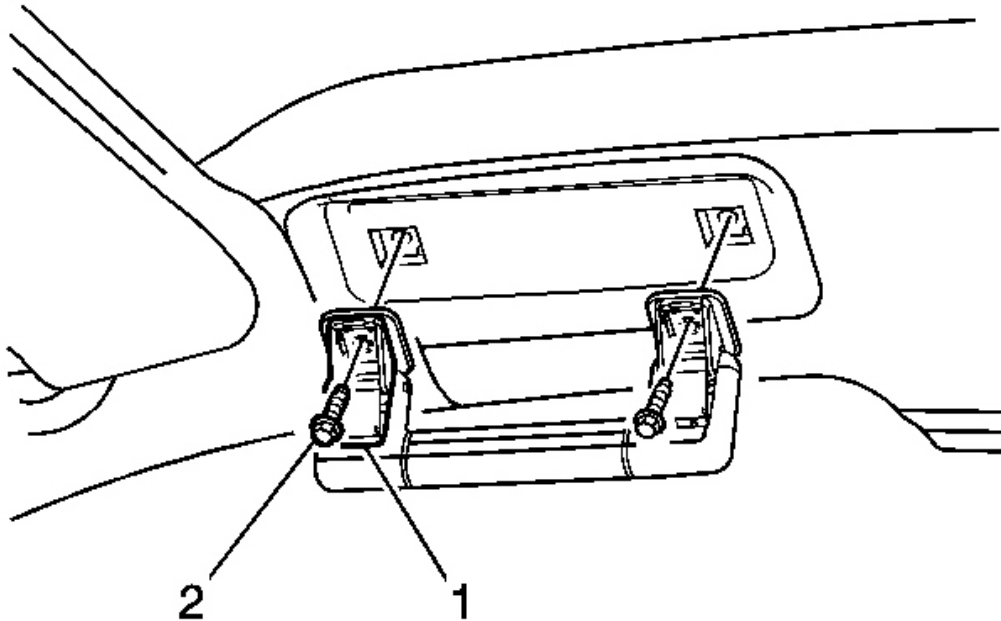
### **Removal Procedure**



**Fig. 24: View Of Side Assist Handle**  
Courtesy of GENERAL MOTORS CORP.

1. Open the covers (1) on the assist handle base to reveal the retaining screws (2).
2. Remove the 2 screws (2) that retain the assist handle to the roof panel.
3. Remove the assist handle.

**Installation Procedure**



**Fig. 25: View Of Side Assist Handle**  
Courtesy of GENERAL MOTORS CORP.

1. Position the assist handle to the headliner.

**NOTE:** Refer to Fastener Notice .

2. Install the 2 fasteners (2) in order to retain the assist handle to the roof panel.

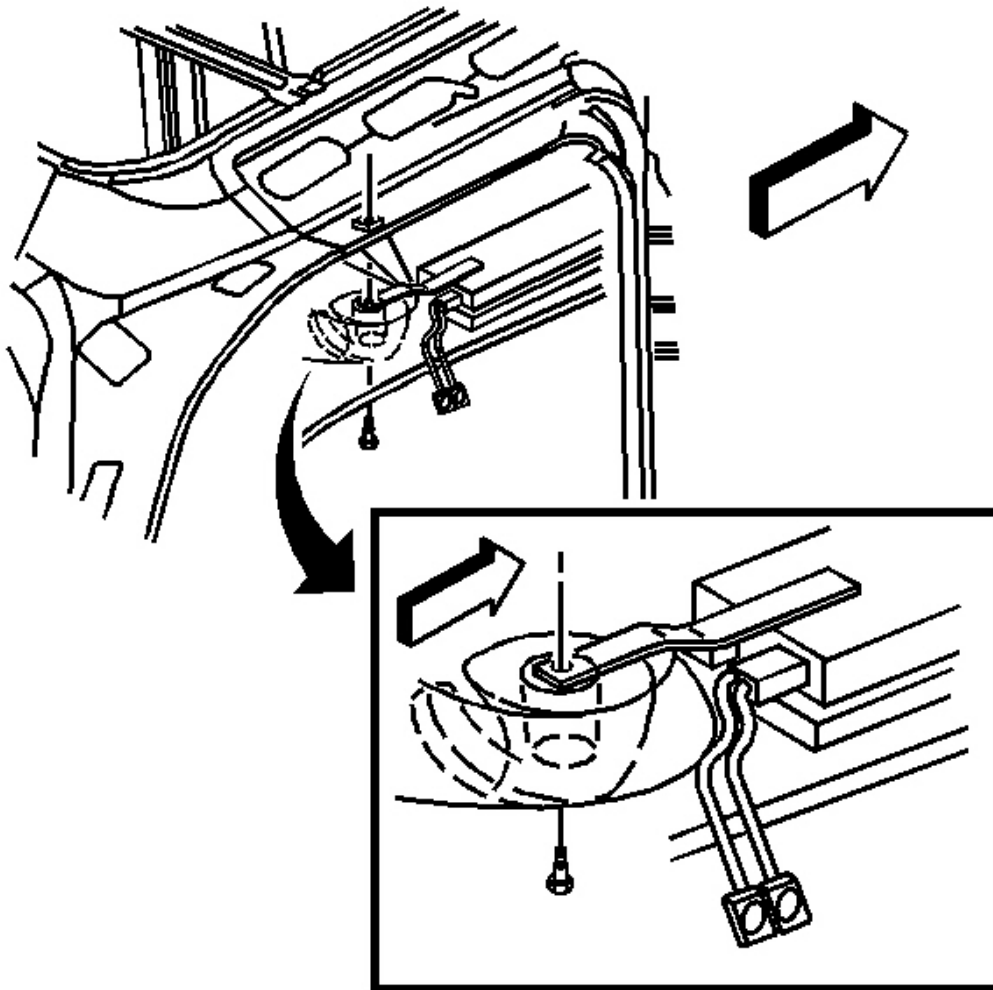
**Tighten:** Tighten the 2 screws to 2 N.m (18 lb in).

3. Close the covers (1) on the assist handle base.

## COAT HOOK REPLACEMENT

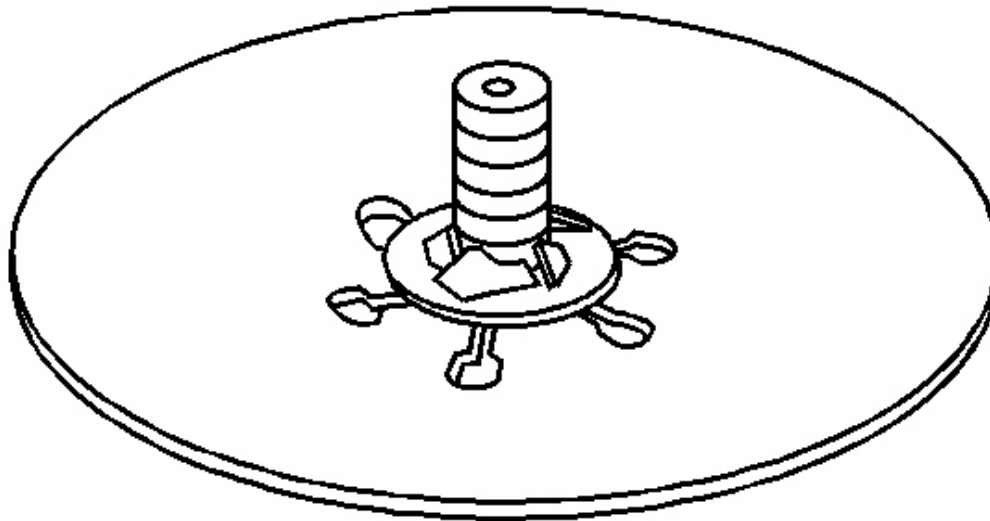
### Removal Procedure

1. Access the coat hooks from the cargo area.



**Fig. 26: View Of Retaining Bolt Through Coat Hook**  
Courtesy of GENERAL MOTORS CORP.

2. If the vehicle is equipped with diversity antennas, remove the bolt and coat hook from the roof panel.
3. If the vehicle is NOT equipped with diversity antennas, perform the following:
  1. Loosen the bolt retaining the coat hook to the roof panel.
  2. Release the rear headliner push pins.

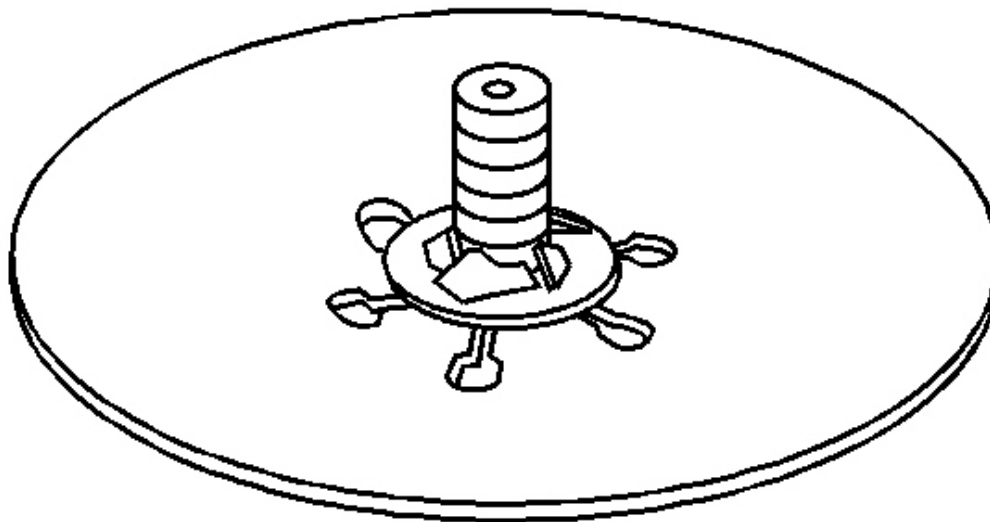


**Fig. 27: Identifying Plastic & Metal Washers**  
Courtesy of GENERAL MOTORS CORP.

3. Lower the rear of the headliner far enough to access the plastic and metal washers.
4. Hold the metal washer from rotating and remove the bolt from the coat hook.
5. Remove the coat hook from the vehicle.

#### **Installation Procedure**

1. If the vehicle is NOT equipped with diversity antennas, perform the following:
  1. Install the bolt to the coat hook.
  2. Install the bolt and coat hook assembly to the headliner.
  3. Lower the rear of the headliner far enough to access the headliner substrate.



**Fig. 28: Identifying Plastic & Metal Washers**  
Courtesy of GENERAL MOTORS CORP.

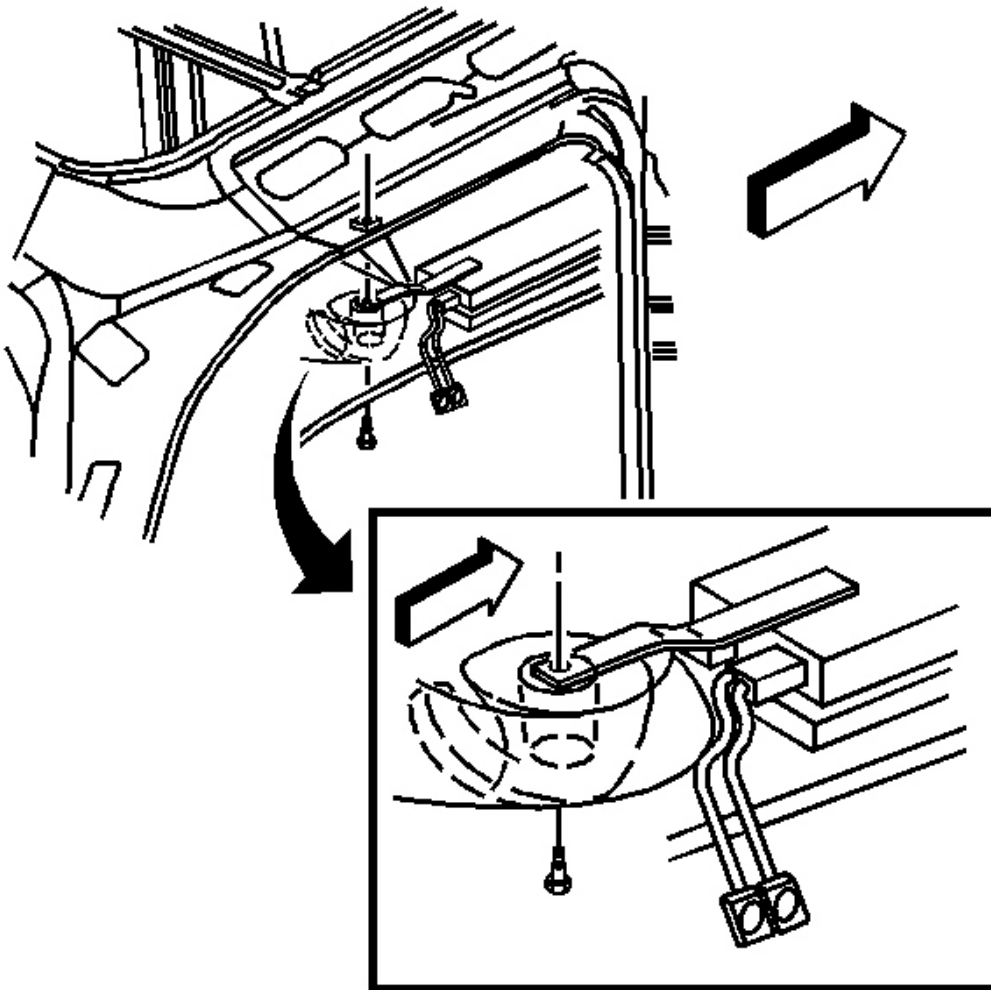
4. Install the plastic washer to the bolt.
5. Install the metal washer to the bolt.
6. Hold the metal washer from rotating and install the coat hook bolt to the metal washer.
7. Install the bolt retaining the coat hook to the roof panel.

**NOTE:** Refer to Fastener Notice .

8. Tighten the retaining bolt.

**Tighten:** Tighten the bolt to 10 N.m (88 lb in).

9. Install the rear headliner push pins.

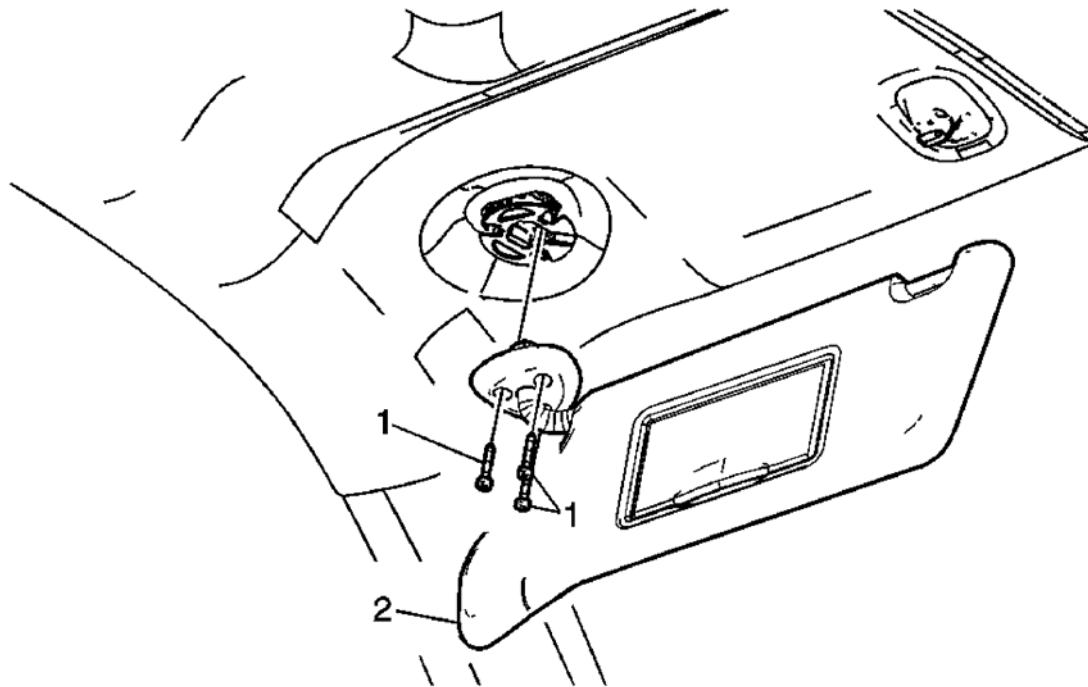


**Fig. 29: View Of Retaining Bolt Through Coat Hook**  
Courtesy of GENERAL MOTORS CORP.

2. If the vehicle is equipped with diversity antennas, install the retaining bolt through the coat hook.
3. Install the metal washer to the retaining bolt.
4. Index the mounting hole on the antenna module grounding strap to the roof panel welded nut.
5. Install the coat hook to the roof panel, positioning the open end of the coat hook inboard.
6. Tighten the retaining bolt.

**Tighten:** Tighten bolt to 10 N.m (88 lb in).

**SUNSHADE REPLACEMENT**



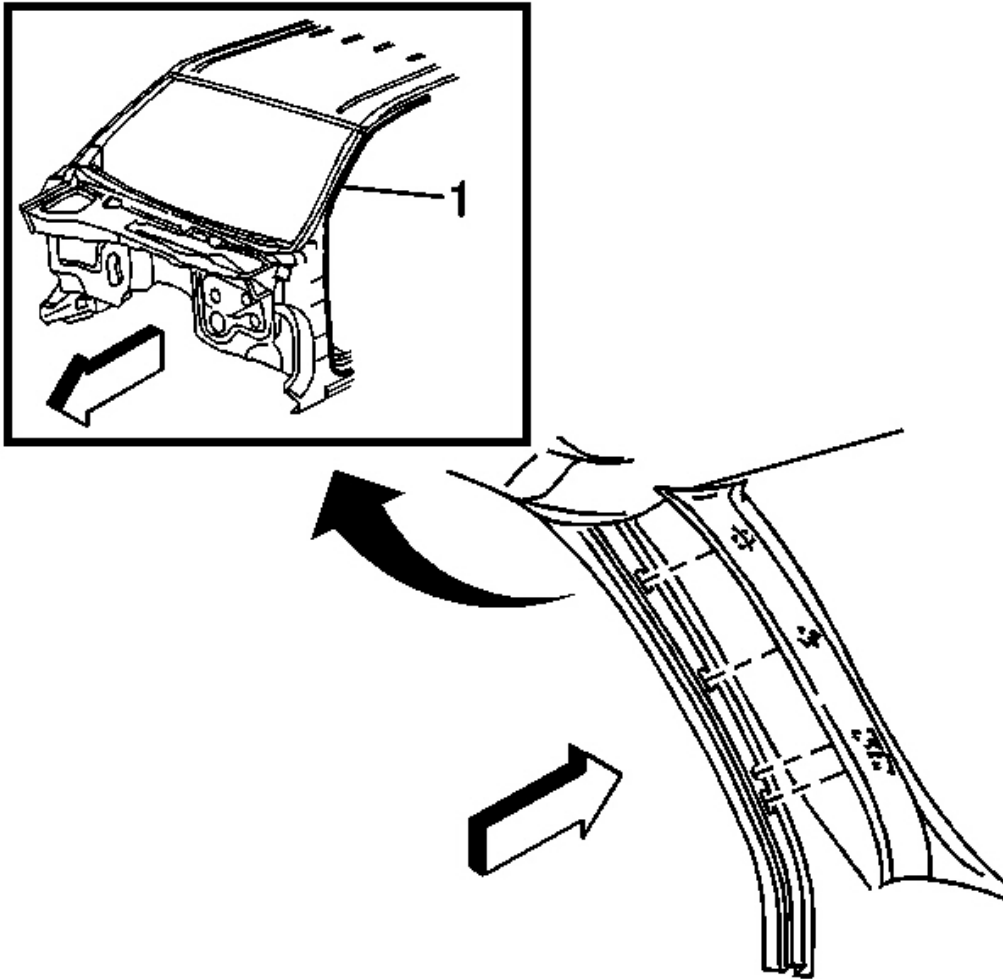
**Fig. 30: View Of Sunshade & Screws**  
 Courtesy of GENERAL MOTORS CORP.

Callout	Component Name
1	Screw, Sunshade (Qty: 3)  <b>NOTE:</b> Refer to <u>Fastener Notice</u> .  <b>Tighten:</b> 3 N.m (25 lb in)
2	Sunshade Assembly <b>Tip:</b> Disconnect the electrical connector, if equipped.

**WINDSHIELD PILLAR GARNISH MOLDING REPLACEMENT**

**Removal Procedure**

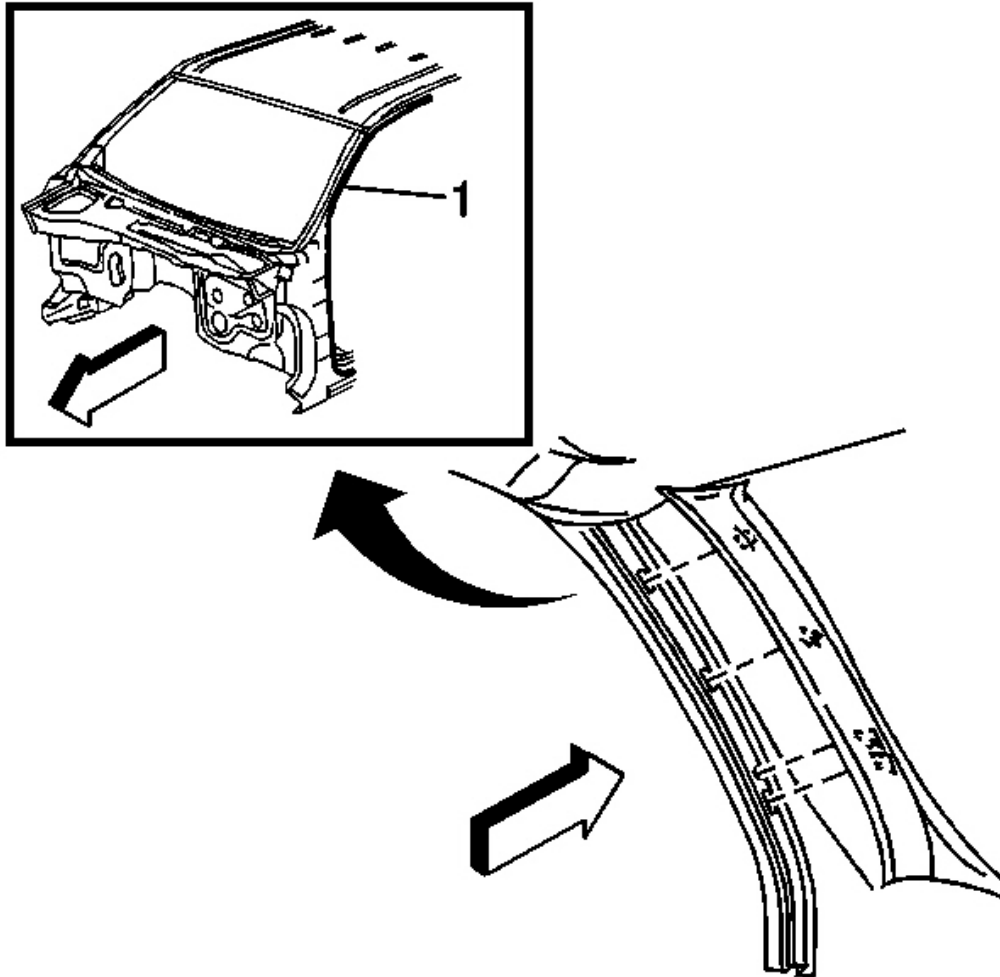




**Fig. 31: Identifying Garnish Molding - Windshield Pillar**  
Courtesy of GENERAL MOTORS CORP.

1. Starting at the top of the garnish molding, carefully release the upper attaching clip that retains the garnish molding to the first pillar.
2. Release the remaining 2 retaining clips from the first pillar.
3. Remove the garnish molding (1) from the vehicle.

**Installation Procedure**

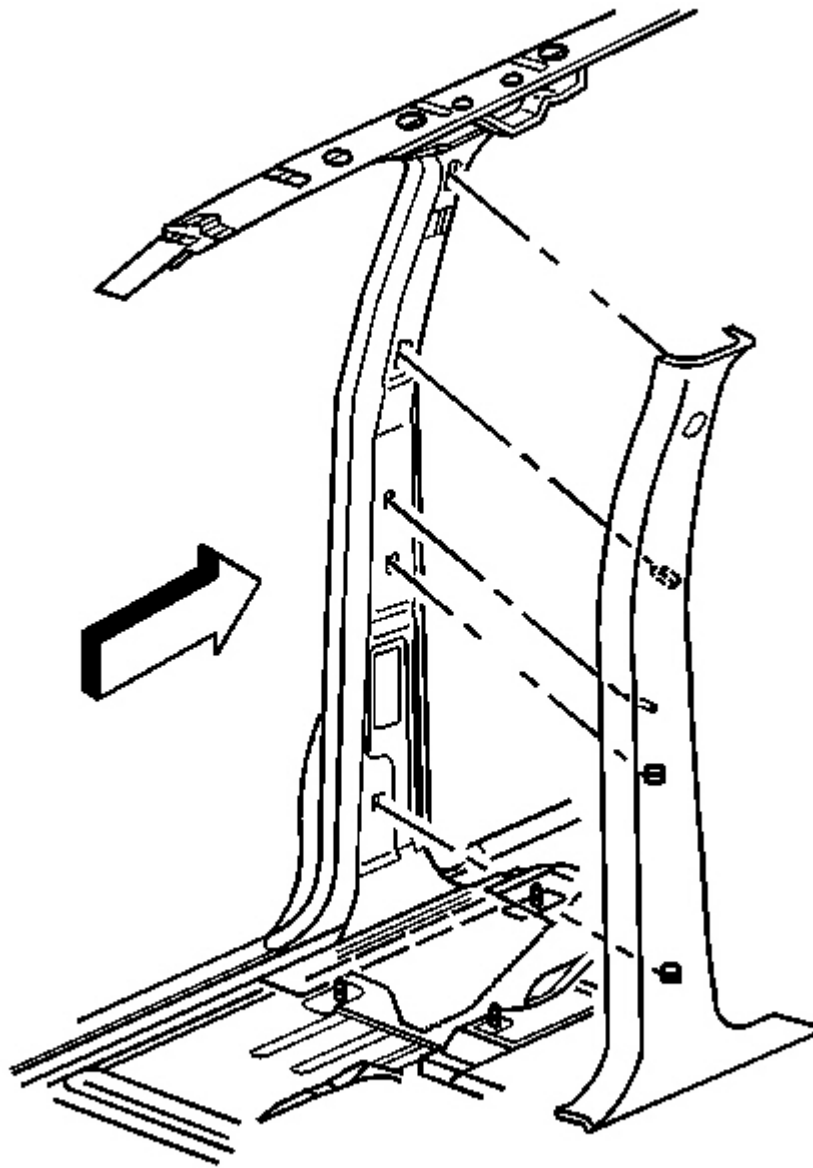


**Fig. 32: Identifying Garnish Molding - Windshield Pillar**  
Courtesy of GENERAL MOTORS CORP.

1. Position the garnish molding (1) to the vehicle.
2. Align the locating fingers to the corresponding holes in first pillar.
3. Starting at the top of the garnish molding, seat the attachment clips that retain the garnish molding to the first pillar.

## **CENTER PILLAR GARNISH MOLDING REPLACEMENT**

### **Removal Procedure**



**Fig. 33: Identifying Garnish Molding (Center Pillar)**  
Courtesy of GENERAL MOTORS CORP.

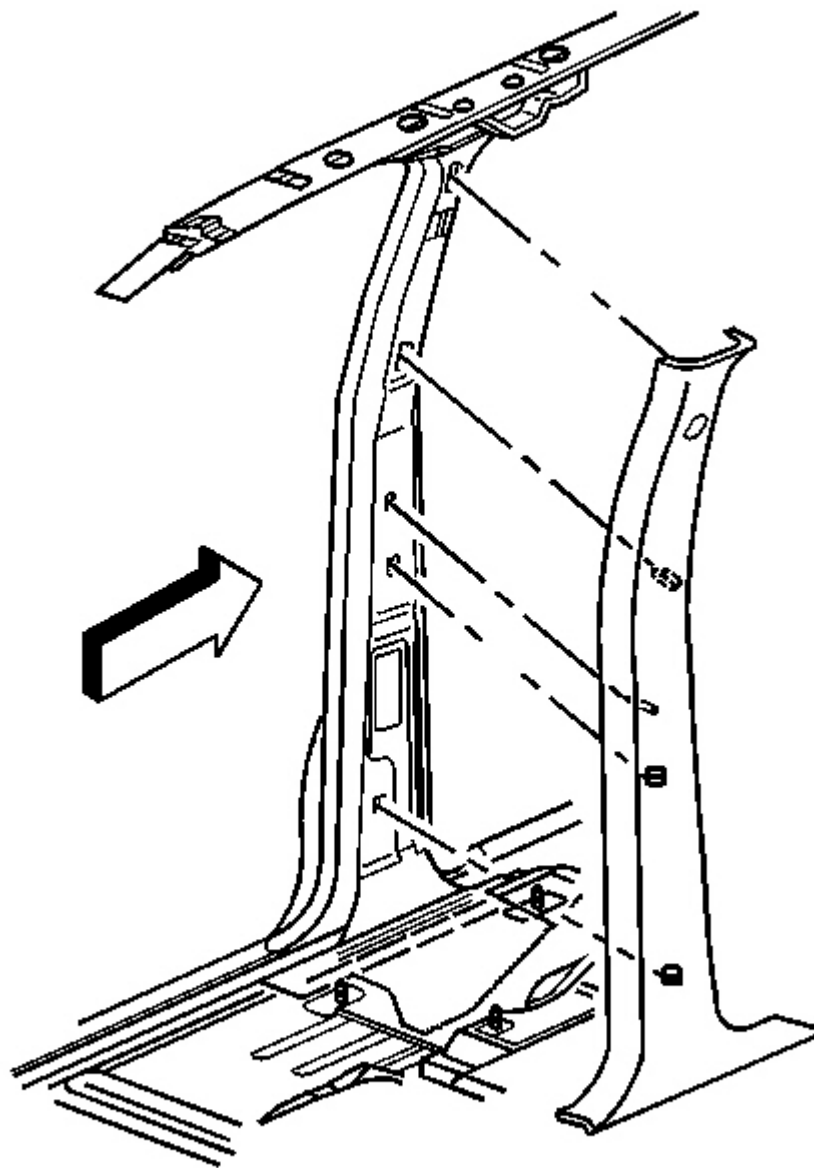
1. Remove the front and rear door sill plates. Refer to **Front Side Door Sill Plate Replacement** and **Rear Side Door Sill Plate Replacement**.
2. Move the seat to a forward position.

## 2008 Isuzu Ascender LS

2008 Accessories & Equipment Interior Trim & Paneling - Ascender, Envoy & Trailblazer

3. Partially remove the door opening weatherstrip from the door opening where it interferes with molding removal.
4. Release the 4 retaining clips that attach the garnish molding to the center pillar.
5. Disconnect the electrical connector from the temperature sensor, if equipped.
6. Remove the garnish molding from the vehicle.

### **Installation Procedure**



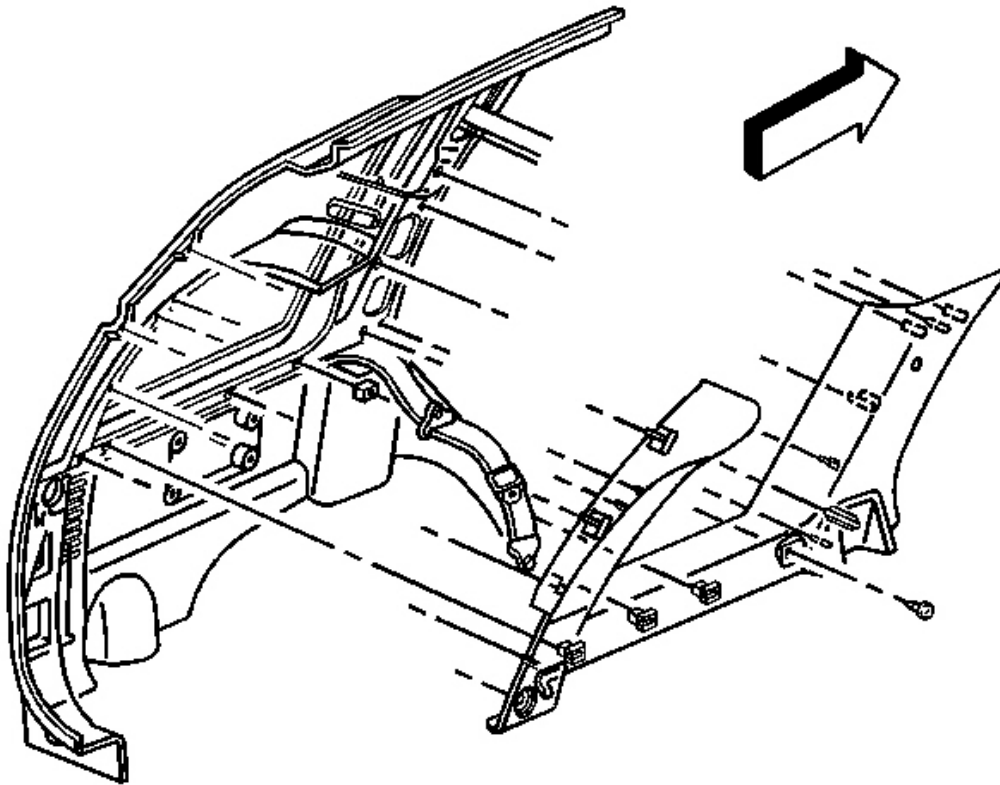
**Fig. 34: Identifying Garnish Molding (Center Pillar)**  
Courtesy of GENERAL MOTORS CORP.

1. Position the garnish molding to the center pillar.
2. Connect the electrical connector to the temperature sensor, if equipped.
3. Index the positioning tabs on the garnish molding to the corresponding holes in the center pillar.

4. Seat the 4 garnish molding retaining tabs to the center pillar.
5. Fully install the door opening weatherstrip.
6. Return the seat to neutral position.
7. Install the front and rear door sill plates. Refer to Front Side Door Sill Plate Replacement and Rear Side Door Sill Plate Replacement.

## REAR QUARTER UPPER TRIM PANEL REPLACEMENT (TRAILBLAZER, ENVOY)

### Removal Procedure

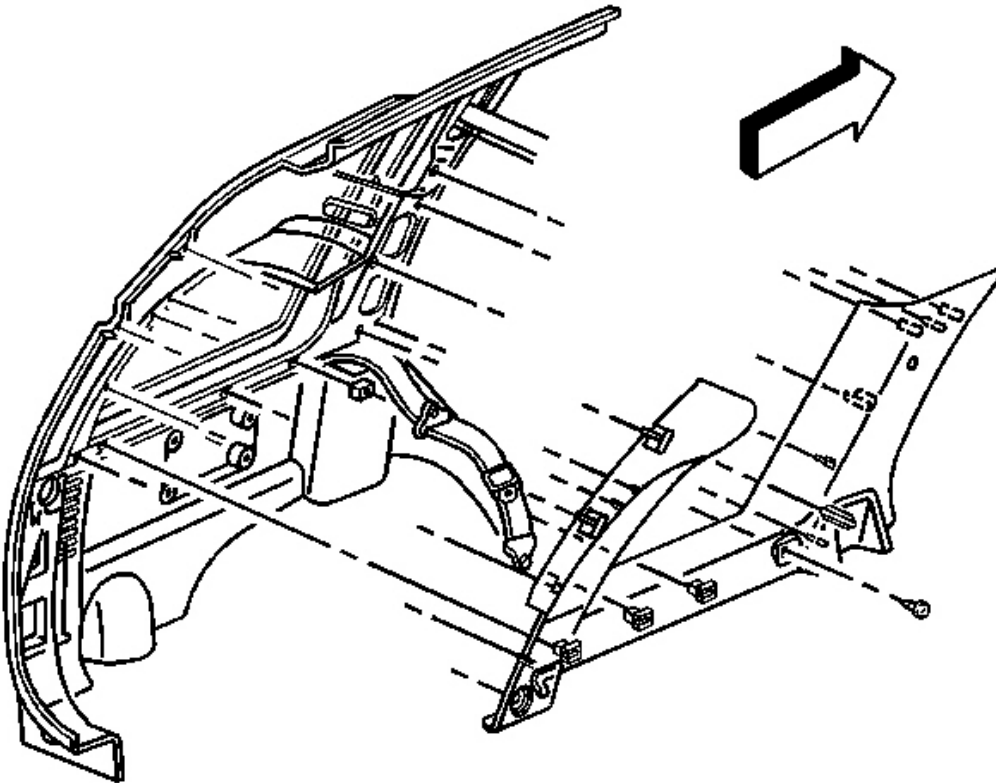


**Fig. 35: Identifying Trim Panel - Rear Quarter Upper**  
Courtesy of GENERAL MOTORS CORP.

1. Remove the cargo shade/cover.
2. Remove the screw that retains the trim panel to the body.
3. Remove the cargo net retaining knobs.

4. Remove the bolt that retains the seat belt upper guide to the body.
5. Remove the rear upper quarter trim panel from the vehicle.

**Installation Procedure**



**Fig. 36: Identifying Trim Panel - Rear Quarter Upper**  
Courtesy of GENERAL MOTORS CORP.

1. Install the rear upper quarter trim panel to the vehicle.
2. Install the seat belt retractor to the body.

**NOTE:** Refer to Fastener Notice .

3. Install the bolt that retains the rear seat belt upper guide to the body.

**Tighten:** Tighten the rear seat belt upper guide shoulder bolt to 70 N.m (52 lb ft).

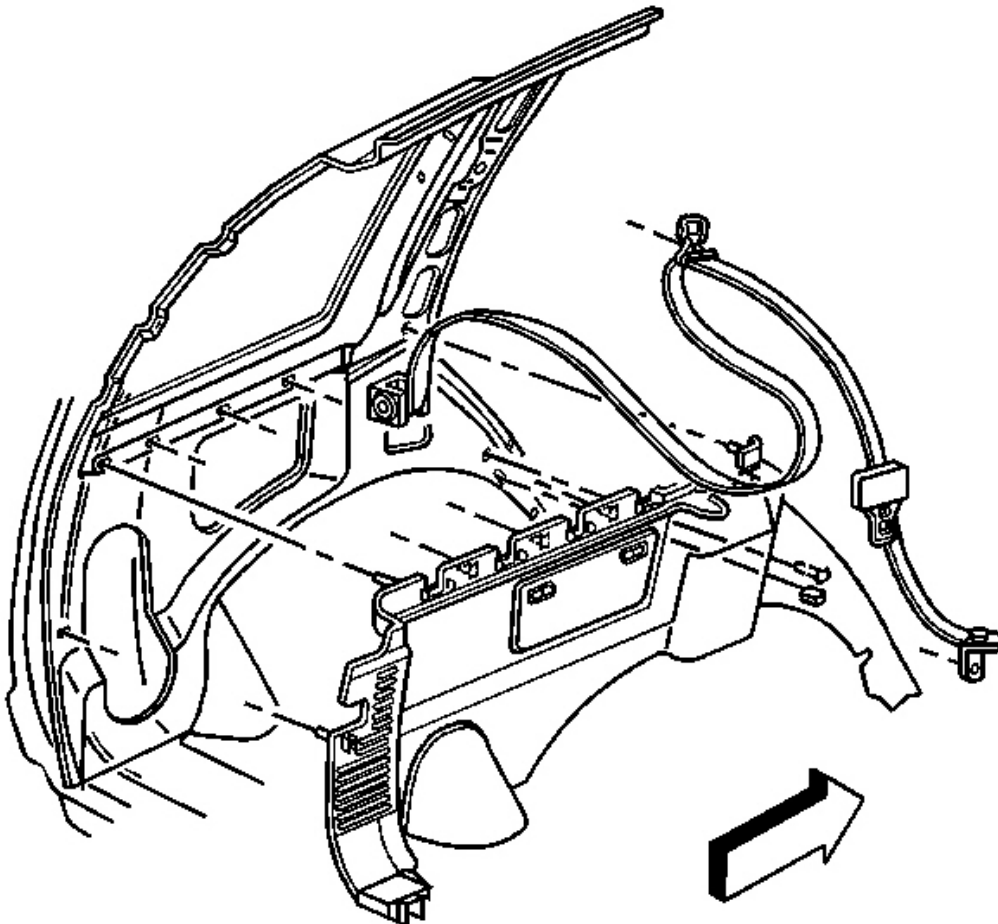
4. Install the screw that retains the rear upper quarter trim panel to the body.

**Tighten:** Tighten the rear upper quarter trim panel screw to 2 N.m (18 lb in).

5. Install the cargo net retaining knobs.

## REAR QUARTER TRIM PANEL REPLACEMENT - LEFT SIDE

### Removal Procedure



**Fig. 37: Identifying Trim Panel - Rear Quarter - Left**  
Courtesy of GENERAL MOTORS CORP.

1. Remove the cargo shade/cover.

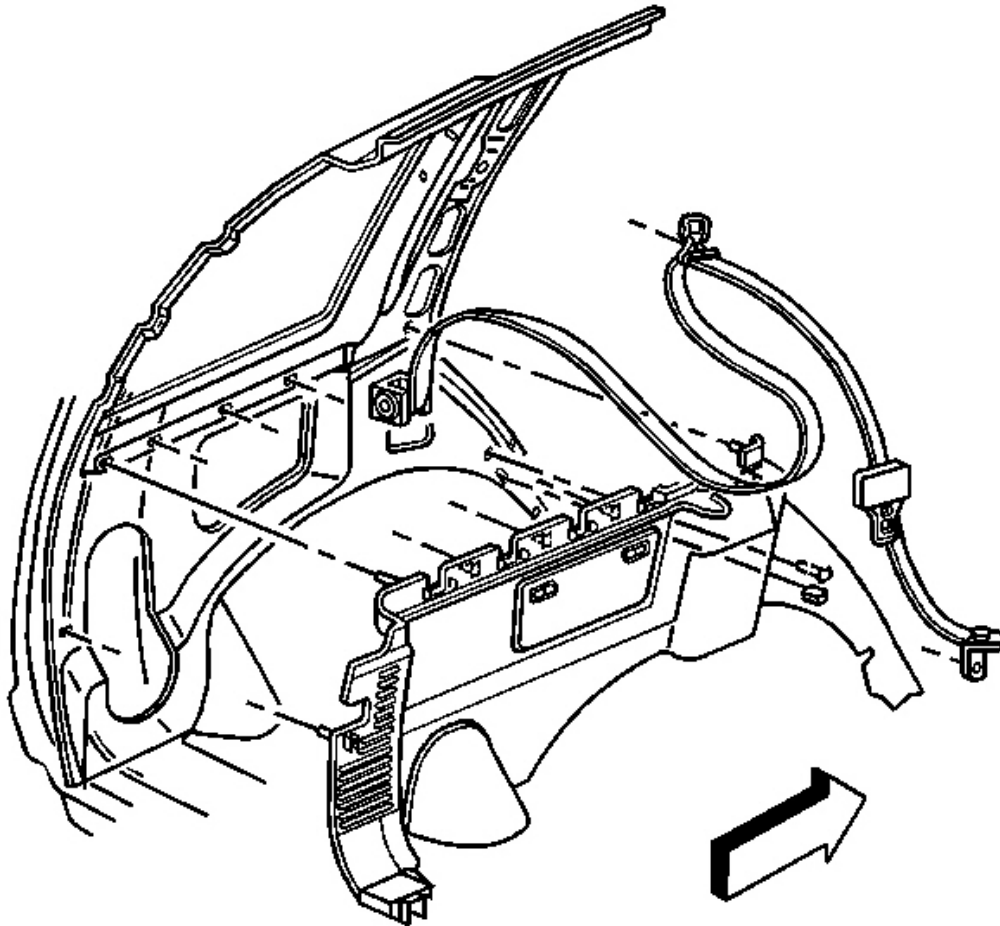


## 2008 Isuzu Ascender LS

2008 Accessories & Equipment Interior Trim & Paneling - Ascender, Envoy & Trailblazer

2. Remove the left body side upper trim panel. Refer to **Rear Quarter Upper Trim Panel Replacement (TrailBlazer, Envoy)**.
3. Remove the liftgate sill plate. Refer to **Liftgate Door Sill Plate Replacement**.
4. Remove the left rear door sill panel. Refer to **Rear Side Door Sill Plate Replacement**.
5. Remove the lower seat belt anchor bolt.
6. Release the clips that retain the trim panel to the body.
7. Remove the trim panel from the vehicle.

### Installation Procedure



**Fig. 38: Identifying Trim Panel - Rear Quarter - Left**  
Courtesy of GENERAL MOTORS CORP.

## 2008 Isuzu Ascender LS

2008 Accessories & Equipment Interior Trim & Paneling - Ascender, Envoy & Trailblazer

1. Position the trim panel to the vehicle.
2. Position the seat belt over the top of the trim panel, ensuring that the buckle is not behind the trim panel.
3. Index the locating tabs on the trim panel to the holes in the body.
4. Seat the clips that retain the trim panel to the body.

**NOTE:** Refer to **Fastener Notice** .

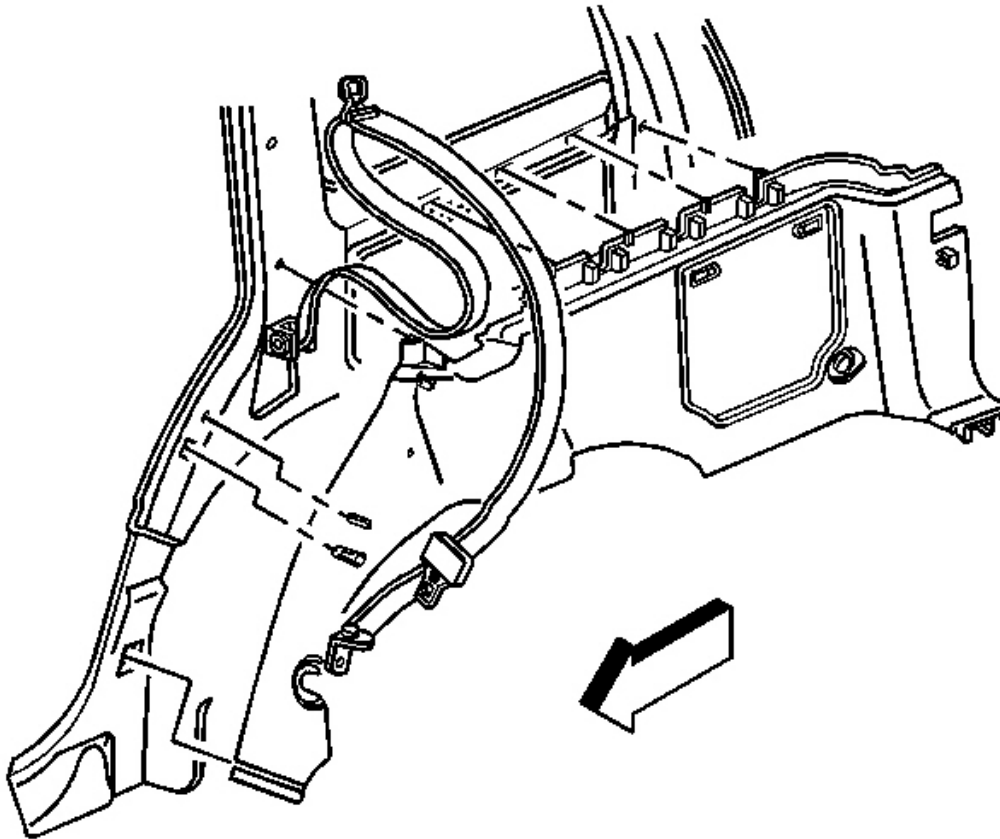
5. Install the seat belt lower anchor.

**Tighten:** Tighten the anchor bolt to 70 N.m (52 lb ft).

6. Install the left rear door sill panel. Refer to **Rear Side Door Sill Plate Replacement**.
7. Install the liftgate sill plate. Refer to **Liftgate Door Sill Plate Replacement**.
8. Install the left body side upper trim panel. Refer to **Rear Quarter Upper Trim Panel Replacement (TrailBlazer, Envoy)**.

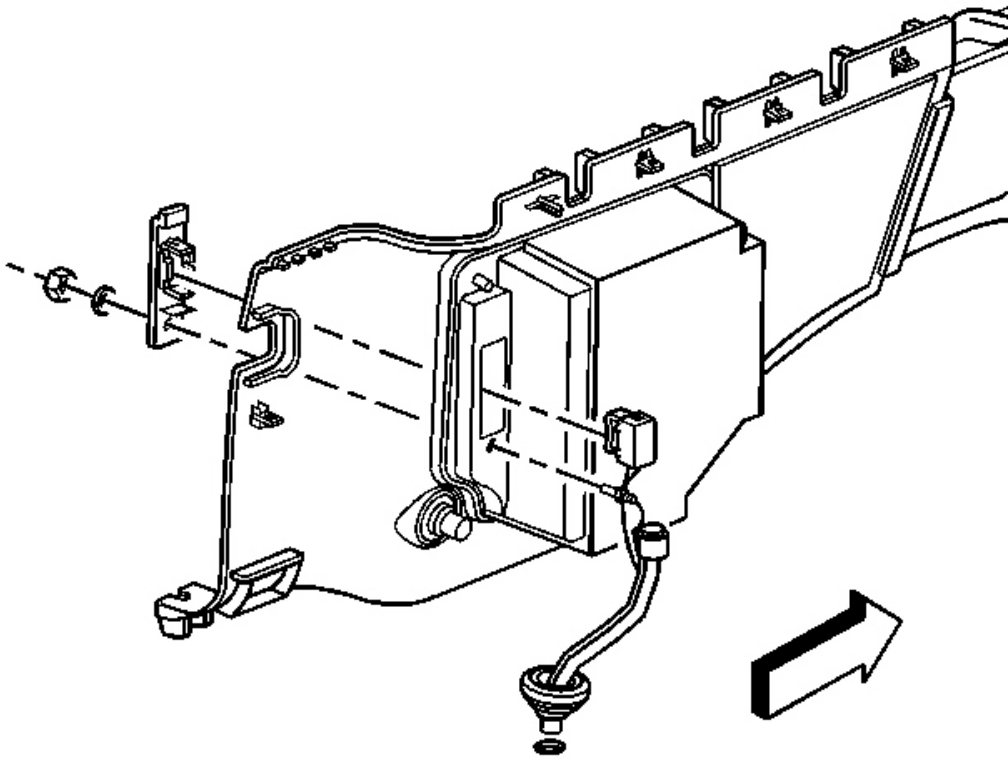
### REAR QUARTER TRIM PANEL REPLACEMENT - RIGHT SIDE

#### Removal Procedure



**Fig. 39: View Of Lower Seat Belt & Rear Quarter - Right (Short Wheelbase)**  
Courtesy of GENERAL MOTORS CORP.

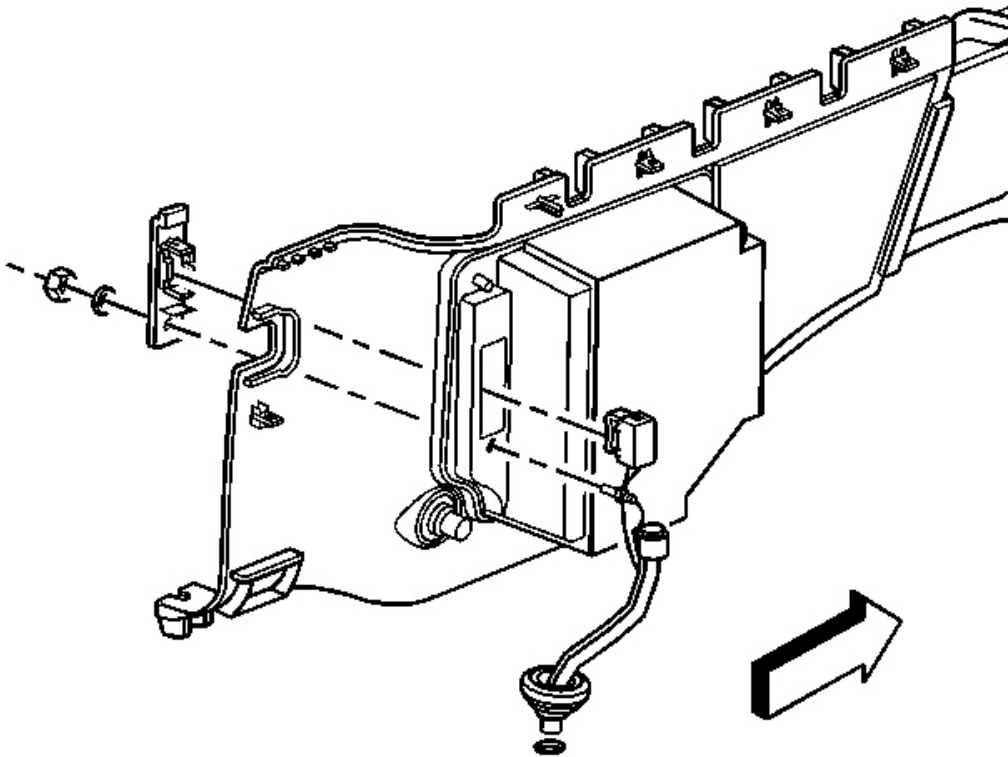
1. Remove the cargo shade/cover.
2. Remove the inflator access panel.
3. Remove the right rear quarter upper trim panel. Refer to **Rear Quarter Upper Trim Panel Replacement (TrailBlazer, Envoy)**.
4. Remove the lift gate sill plate. Refer to **Liftgate Door Sill Plate Replacement**.
5. Remove the right rear door sill panel. Refer to **Rear Side Door Sill Plate Replacement**.
6. Remove the lower seat belt anchor bolt.
7. Release the retaining clips that retain the trim panel to the body.



**Fig. 40: Identifying Trim Panel - Rear Quarter - Right**  
Courtesy of GENERAL MOTORS CORP.

8. Partially remove the trim panel in order to remove the inflator switch from the inflator bezel.
9. Remove the auxiliary air outlet washer and retaining nut.
10. Feed the auxiliary air outlet through the inflator bezel.
11. Remove the inflator bezel from the trim panel.
12. Disconnect the 12-volt power supply electrical connector.
13. Remove the trim panel from the vehicle.

**Installation Procedure**



**Fig. 41: Identifying Trim Panel - Rear Quarter - Right**  
Courtesy of GENERAL MOTORS CORP.

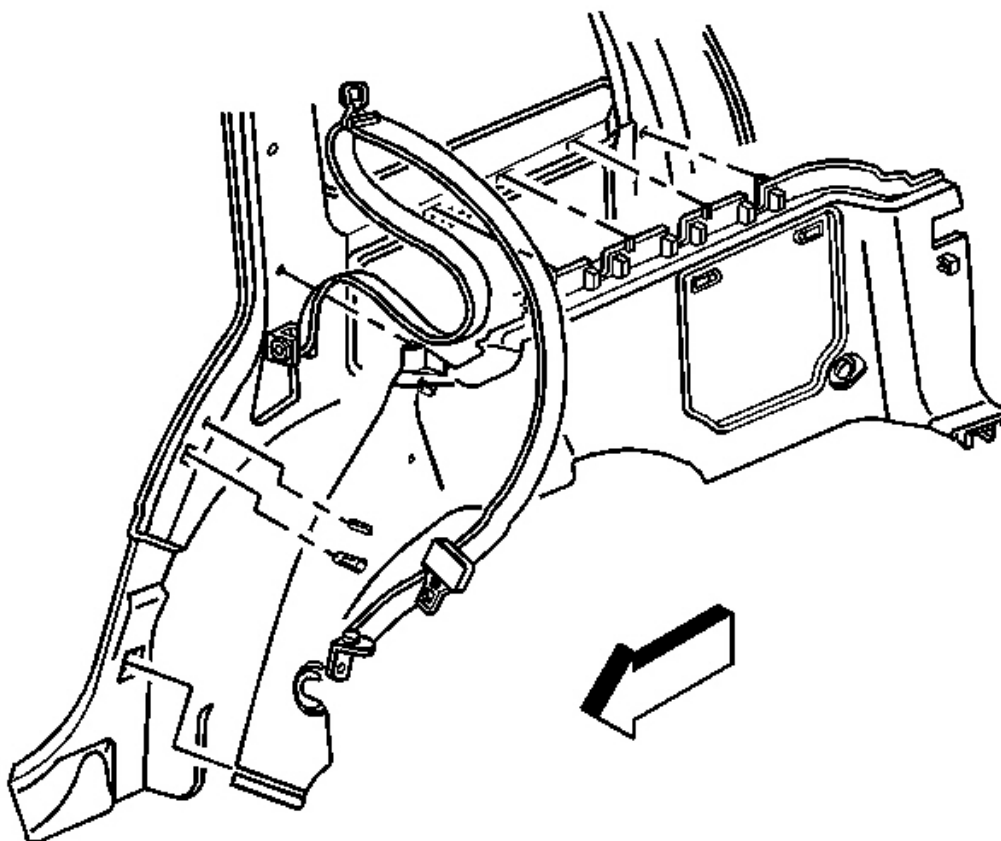
1. Position the trim panel to the vehicle.
2. Connect the 12-volt power supply electrical connector.
3. Install the inflator bezel to the trim panel.
4. Feed the auxiliary air outlet through the hole in the inflator bezel.

**NOTE:** Refer to Fastener Notice .

5. Install the auxiliary air outlet washer and retaining nut.

**Tighten:** Tighten the nut to 2 N.m (18 lb in).

6. Install the inflator switch to the inflator bezel.



**Fig. 42: View Of Lower Seat Belt & Rear Quarter - Right (Short Wheelbase)**  
Courtesy of GENERAL MOTORS CORP.

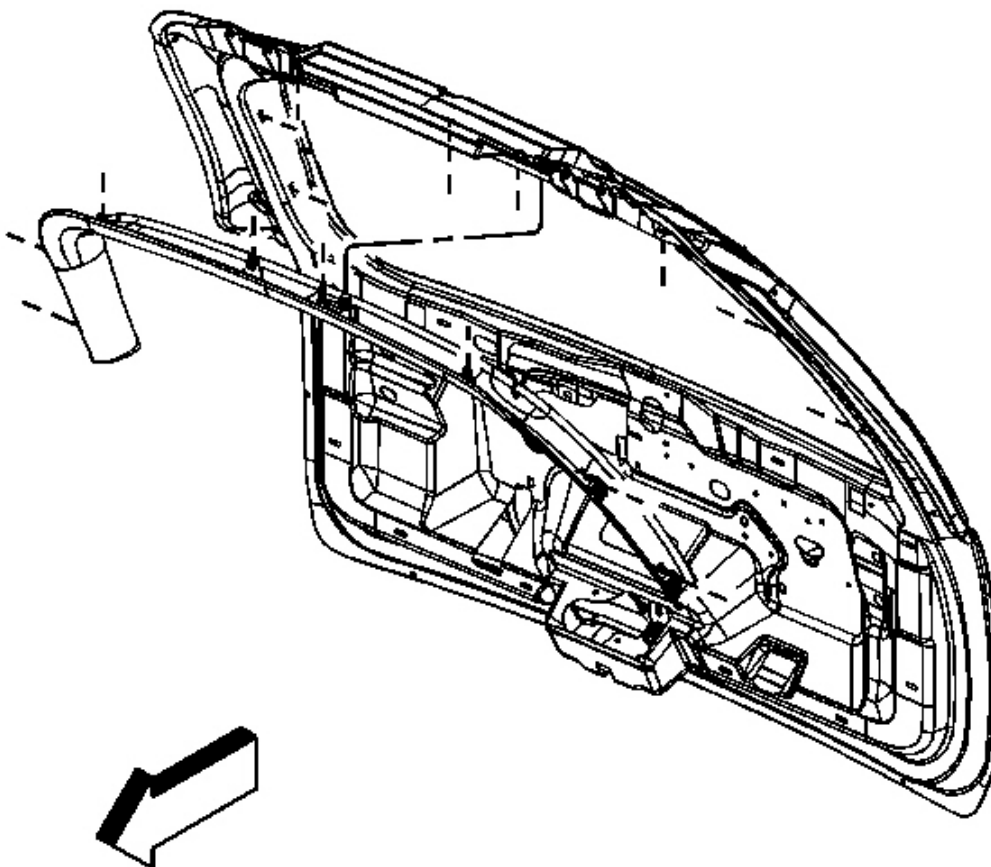
7. Position the seat belt over the top of the trim panel, ensuring that the buckle is not behind the trim panel.
8. Align the locating tabs on the trim panel to the holes in the body.
9. Seat the clips that retain the trim panel to the body.
10. Install the seat belt lower anchor.

**Tighten:** Tighten the anchor bolt to 70 N.m (52 lb ft).

11. Install the right rear door sill panel. Refer to **Rear Side Door Sill Plate Replacement**.
12. Install the lift gate sill plate. Refer to **Liftgate Door Sill Plate Replacement**.
13. Install the trim panel-rear quarter upper. Refer to **Rear Quarter Upper Trim Panel Replacement (TrailBlazer, Envoy)**.

## LIFTGATE GARNISH MOLDING REPLACEMENT

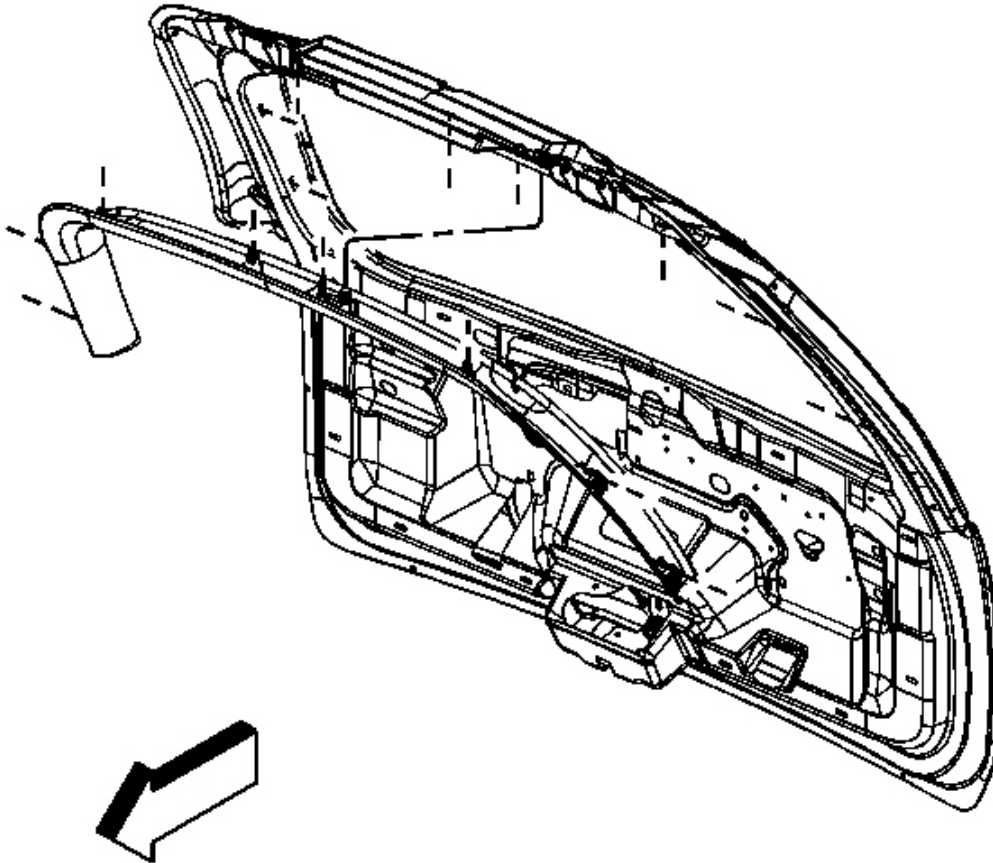
### Removal Procedure



**Fig. 43: View Of Garnish Molding & Liftgate**  
Courtesy of GENERAL MOTORS CORP.

1. Use a flat-bladed tool in order to carefully release the garnish molding retainers.
2. Remove the garnish molding from the liftgate.

### Installation Procedure



**Fig. 44: View Of Garnish Molding & Liftgate**  
Courtesy of GENERAL MOTORS CORP.

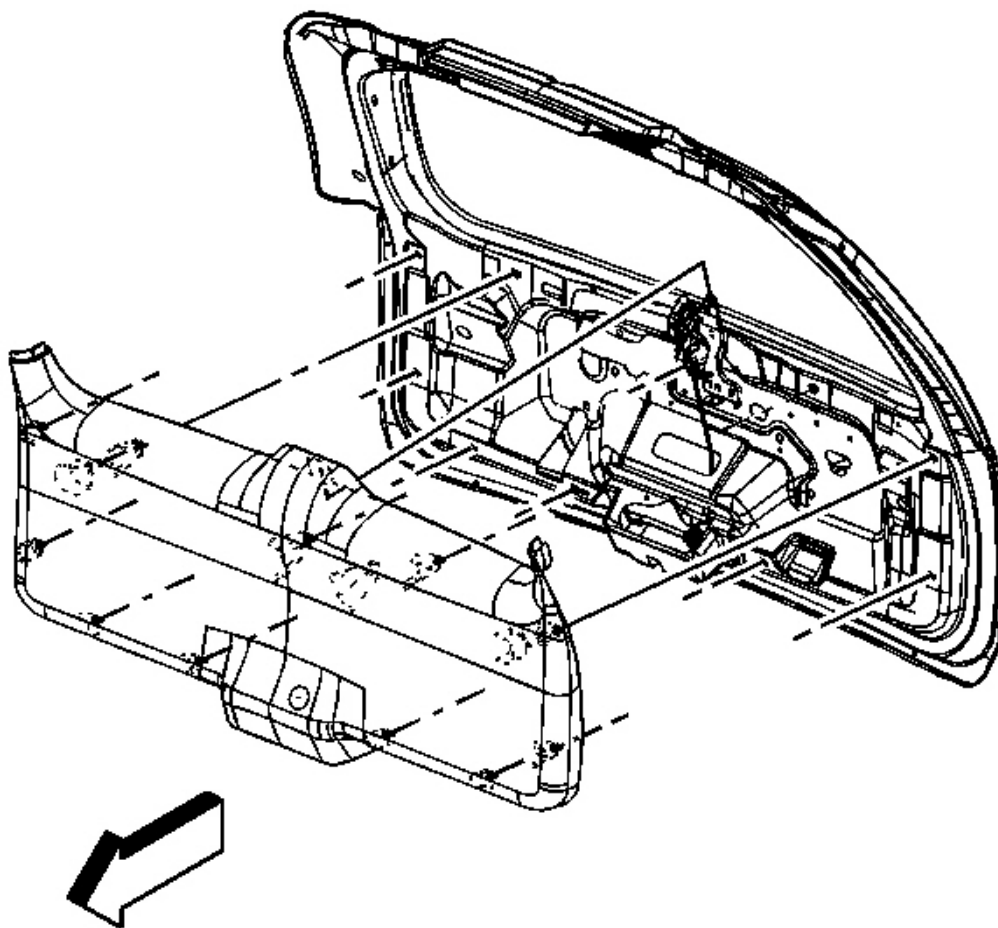
1. Install the garnish molding to the liftgate.
2. Ensure that the top 4 garnish molding retainers are fully seated first.
3. Install the 2 garnish molding retainers on each side.

## **LIFTGATE TRIM PANEL REPLACEMENT**

### **Removal Procedure**

1. Remove the upper liftgate garnish molding. Refer to **Liftgate Garnish Molding Replacement**.
2. Open the liftgate window.



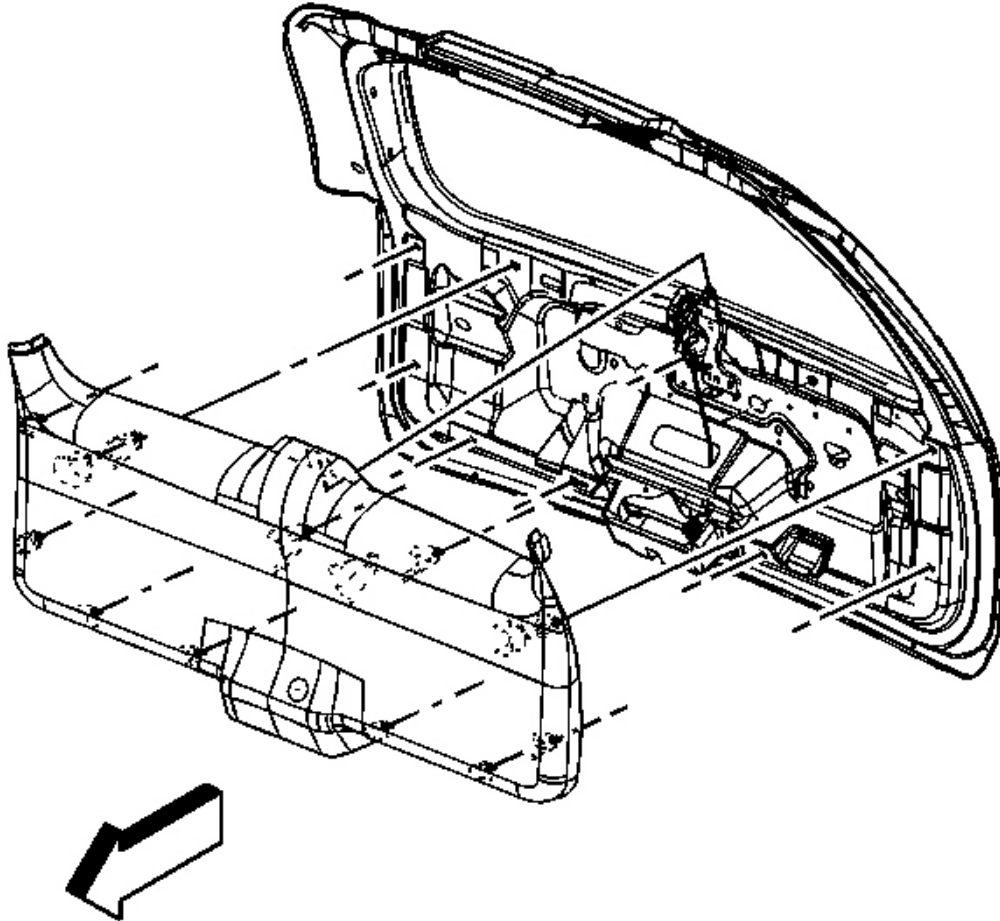


**Fig. 45: View Of Liftgate Trim Panel**  
Courtesy of GENERAL MOTORS CORP.

3. Remove the push-pin retainer from the upper trim panel.
4. Close the liftgate window.
5. Open the liftgate.
6. Use a flat-bladed tool in order to carefully release the trim panel retainers.
7. Remove the trim panel from the liftgate.

#### Installation Procedure

1. Install the trim panel to the liftgate.

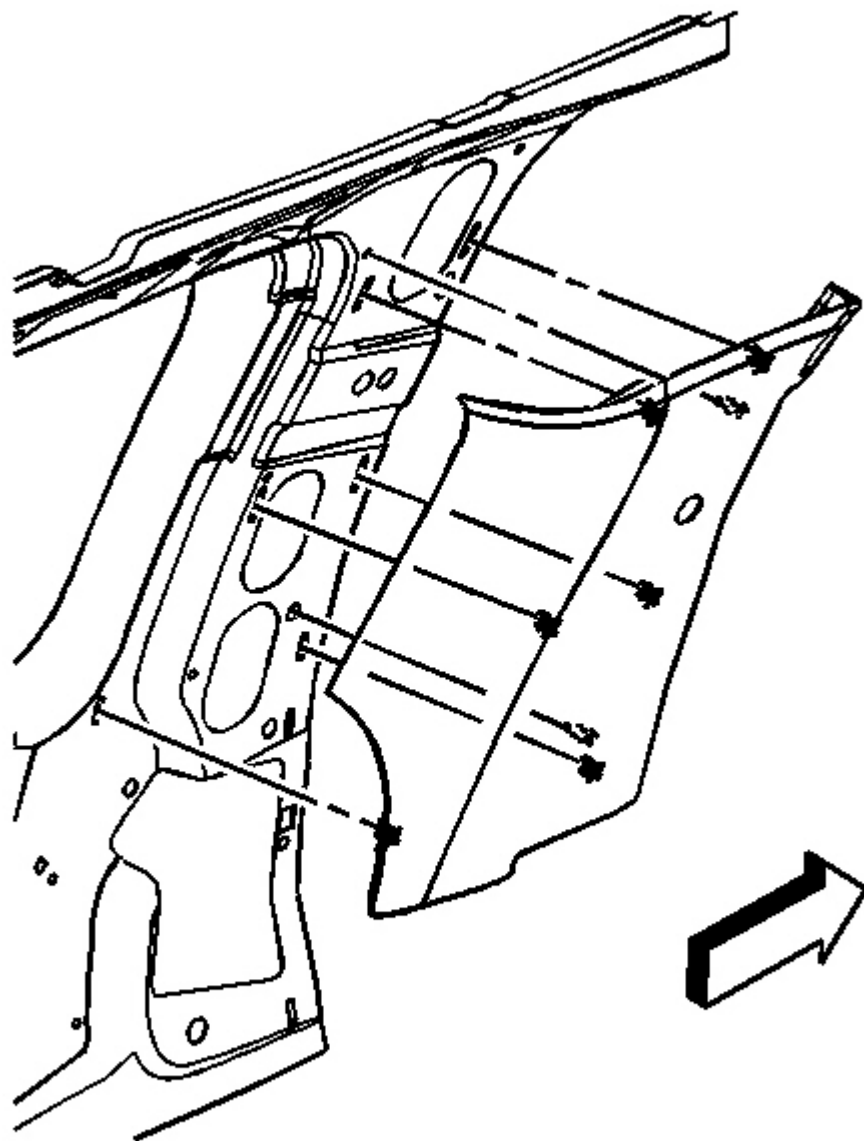


**Fig. 46: View Of Liftgate Trim Panel**  
Courtesy of GENERAL MOTORS CORP.

2. Ensure that the trim panel retainers are fully seated.
3. Close the liftgate.
4. Open the liftgate window.
5. Install the push-pin retainer in the upper trim panel.
6. Close the liftgate window.
7. Install the upper liftgate garnish molding. Refer to [Liftgate Garnish Molding Replacement](#).

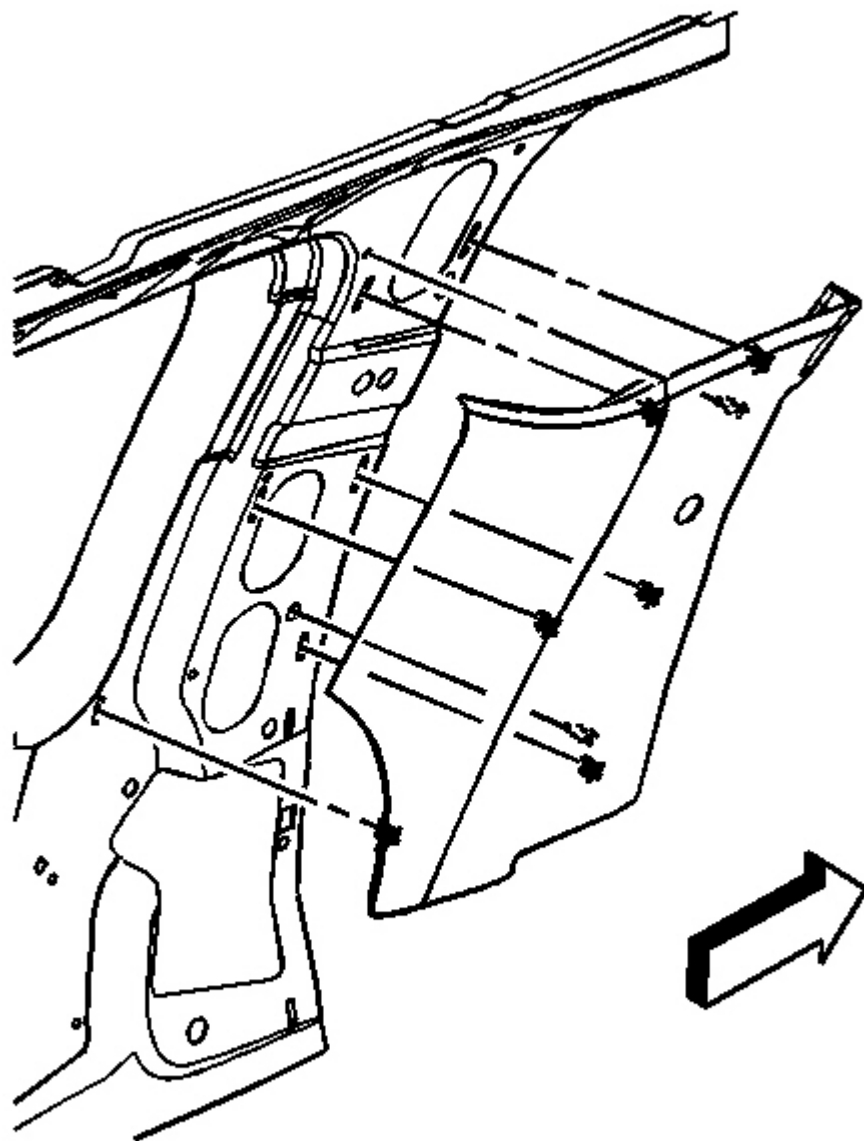
## **BODY SIDE REAR WINDOW GARNISH MOLDING REPLACEMENT (TRAILBLAZER, ENVOY )**

### **Removal Procedure**



**Fig. 47: View Of Seat Belt Upper Anchor Bolts (Front Long Wheelbase)**  
Courtesy of GENERAL MOTORS CORP.

1. Remove the bolt that retains the seat belt upper anchor to the body.
2. Remove the garnish molding from the vehicle.



**Fig. 48: View Of Seat Belt Upper Anchor Bolts (Front Long Wheelbase)**  
Courtesy of GENERAL MOTORS CORP.

1. Install the garnish molding to the vehicle.
2. Install the seat belt retractor to the body.

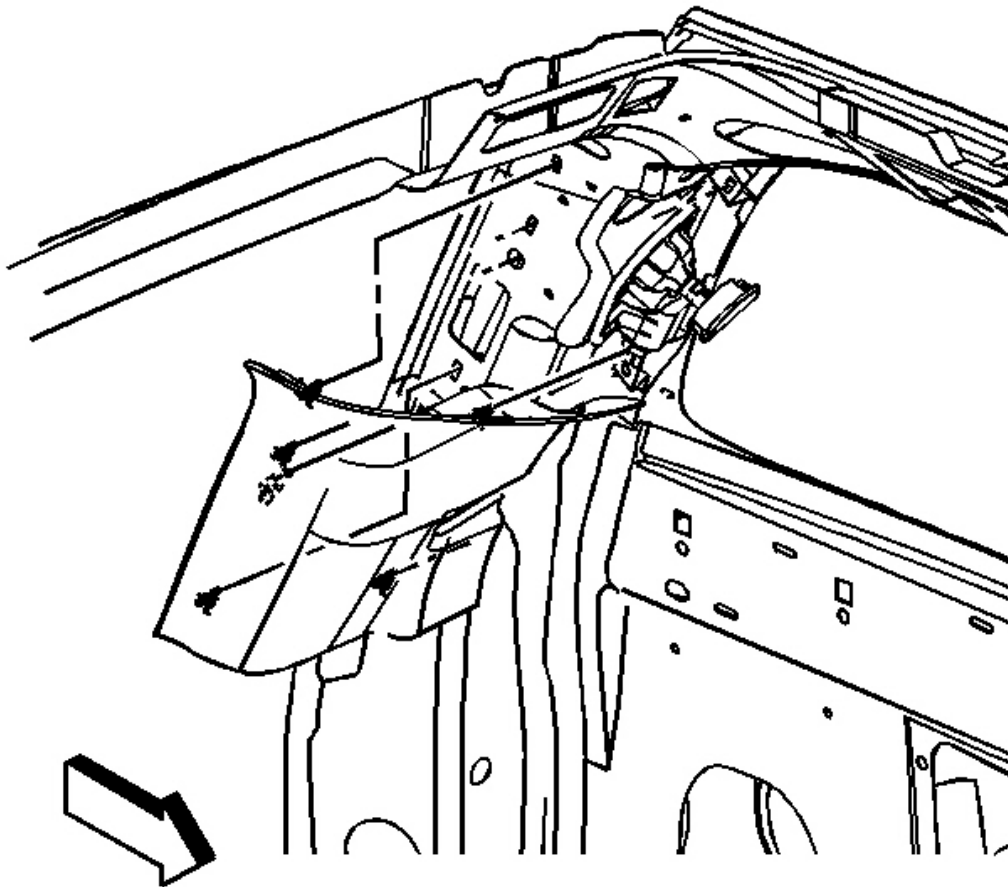
**NOTE:** Refer to Fastener Notice .

3. Install the bolt that retains the seat belt anchor to the body.

**Tighten:** Tighten the anchor bolt to 70 N.m (52 lb ft).

## BODY SIDE WINDOW REAR GARNISH MOLDING REPLACEMENT (TRAILBLAZER, ENVOY )

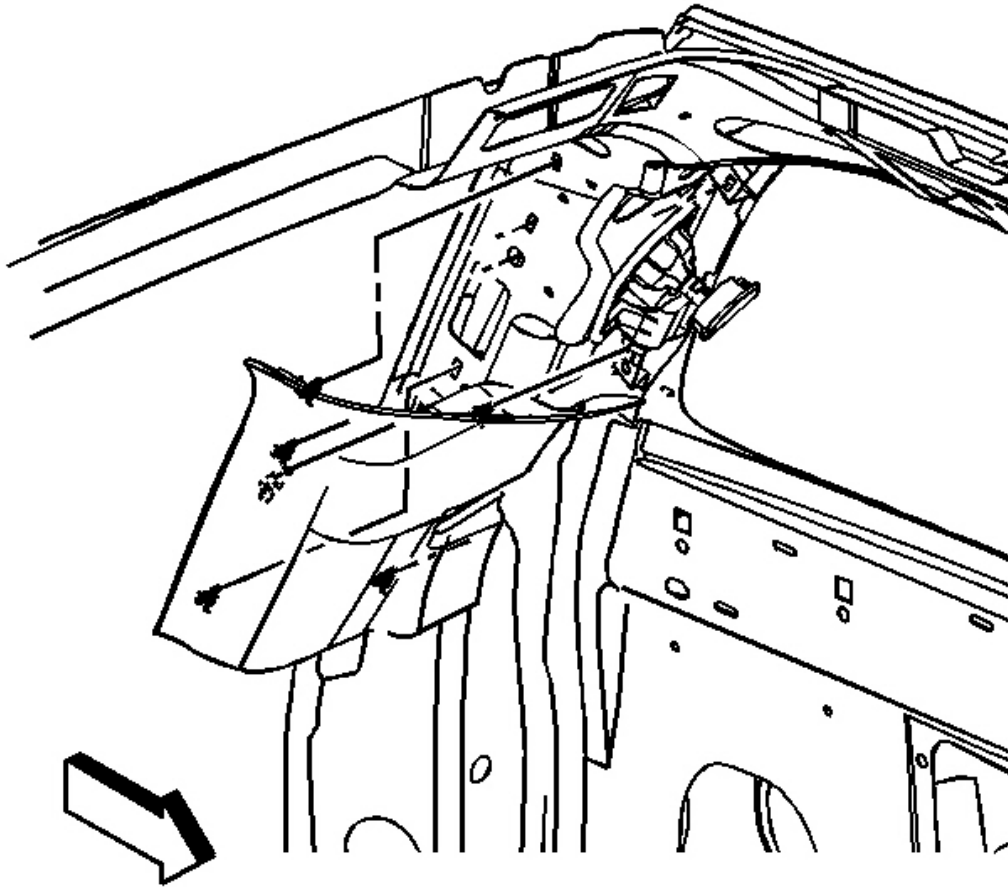
### Removal Procedure



**Fig. 49: View Of Seat Belt Upper Anchor Bolt (Rear Long Wheelbase)**  
Courtesy of GENERAL MOTORS CORP.

1. Remove the bolt that retains the seat belt upper anchor to the body.
2. Remove the garnish molding from the vehicle.

**Installation Procedure**



**Fig. 50: View Of Seat Belt Upper Anchor Bolt (Rear Long Wheelbase)**  
Courtesy of GENERAL MOTORS CORP.

1. Install the garnish molding to the vehicle.
2. Install the seat belt retractor to the body.

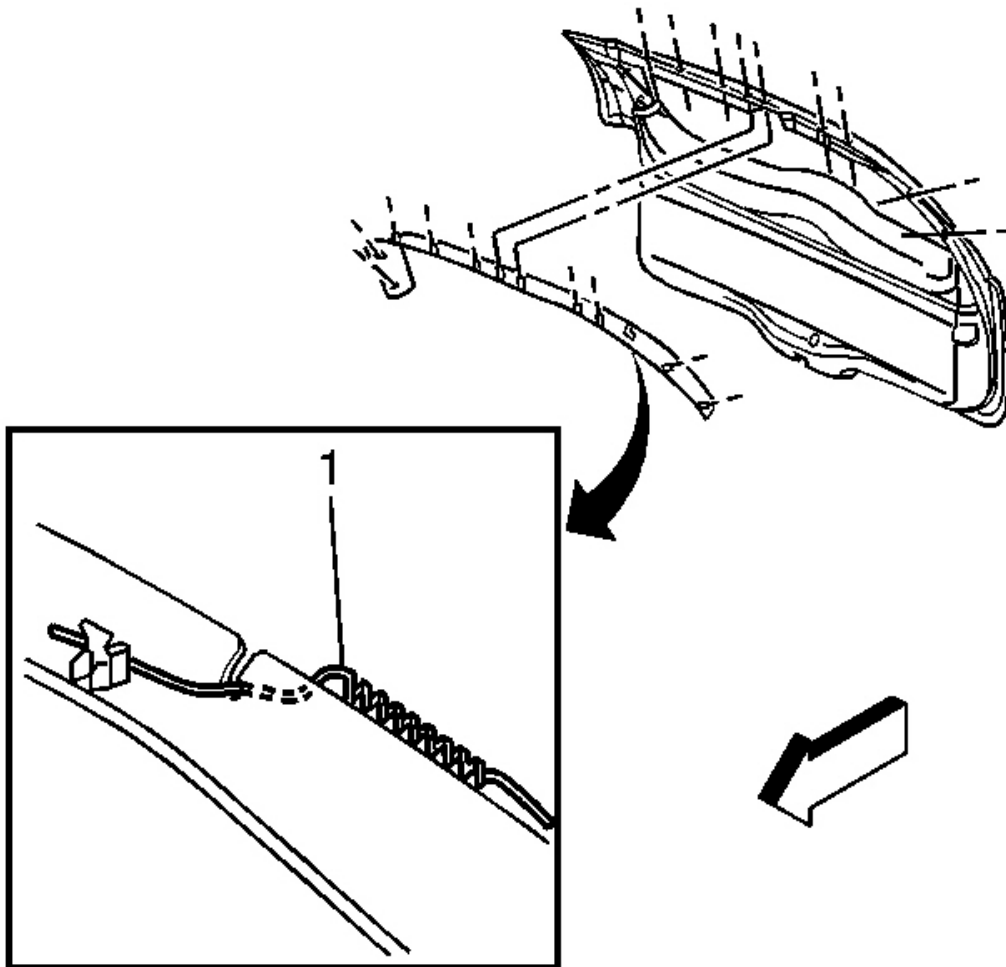
**NOTE:** Refer to Fastener Notice .

3. Install the bolt that retains the seat belt anchor to the body.

**Tighten:** Tighten the anchor bolt to 70 N.m (52 lb ft).

**Removal Procedure**

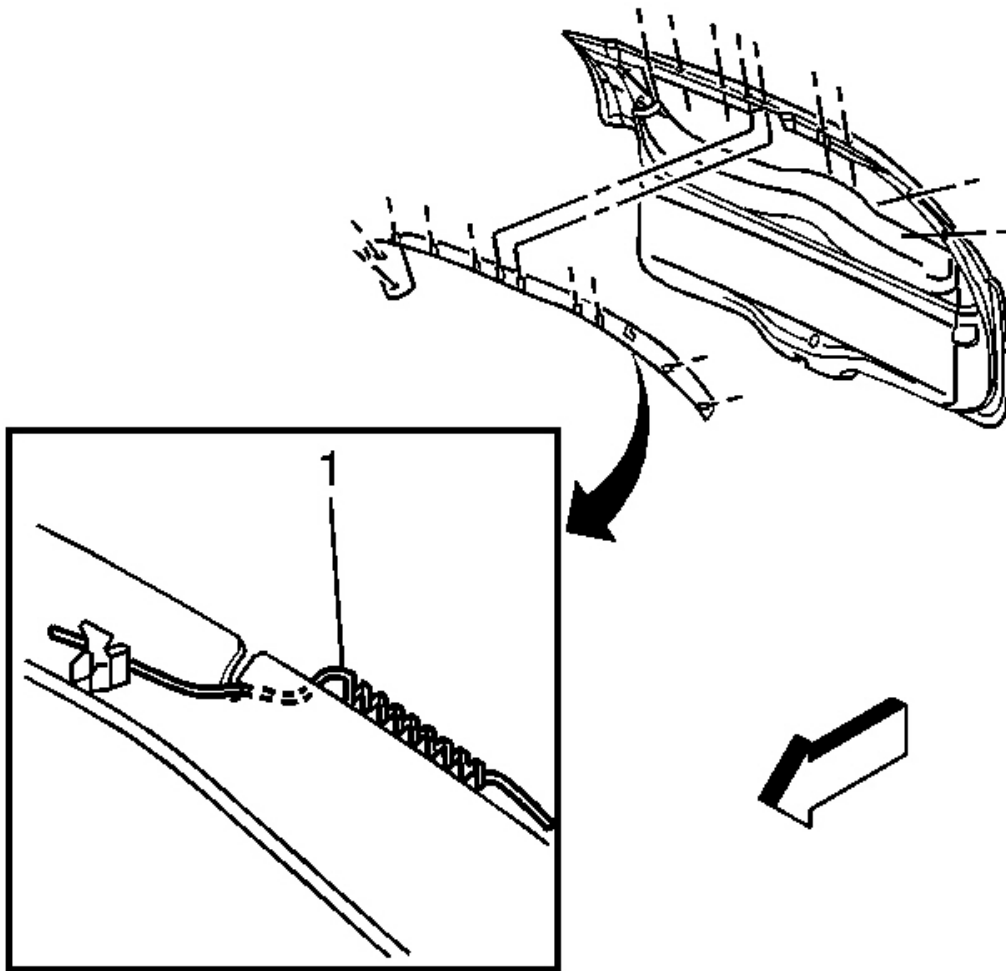
1. Open the liftgate.



**Fig. 51: Locating Garnish Molding Wire Harness**  
Courtesy of GENERAL MOTORS CORP.

2. Release the clips that retain the garnish molding to the liftgate.
3. Remove the wire harness (1) from the slot located on the garnish molding.
4. Remove the garnish molding from the liftgate.

**Installation Procedure**



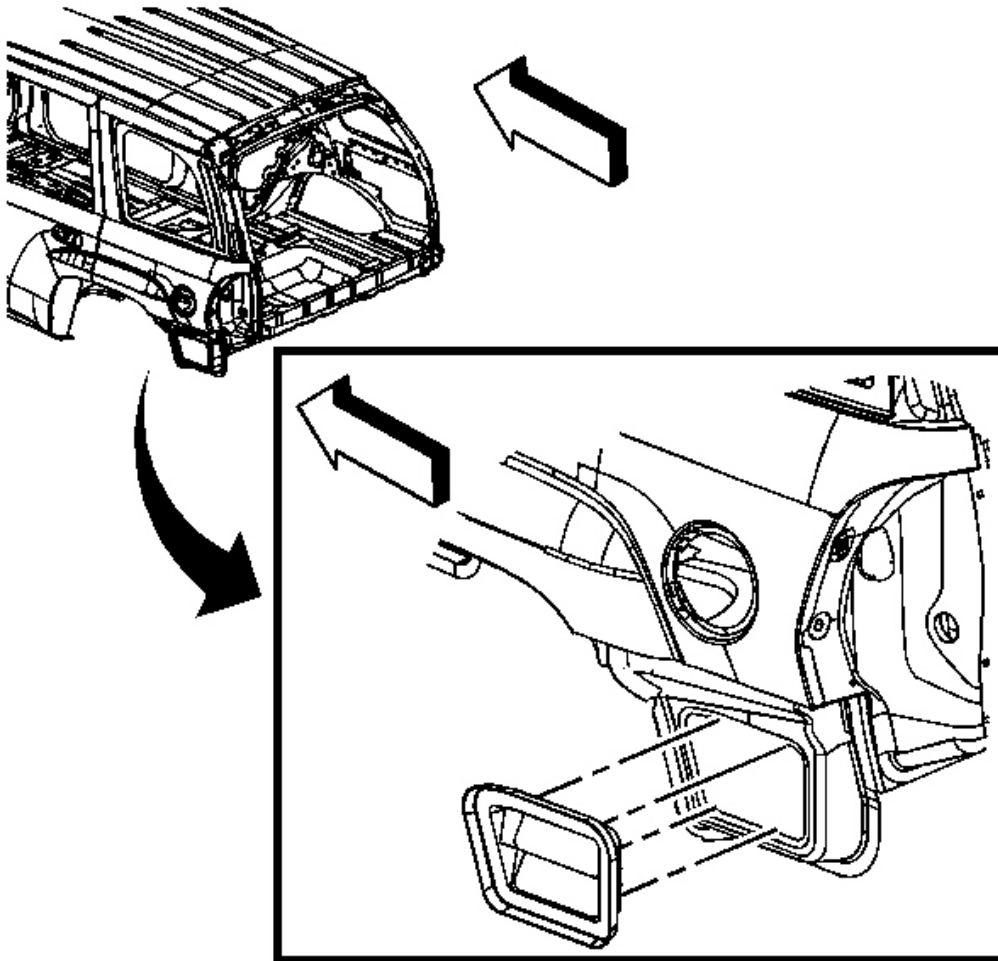
**Fig. 52: Locating Garnish Molding Wire Harness**  
Courtesy of GENERAL MOTORS CORP.

1. Position the garnish molding to the liftgate.
2. Install wire harness (1) into the slot located on the garnish molding.
3. Index the locating tabs to the corresponding holes in the liftgate.
4. Index the retaining clips to the liftgate.
5. Push the garnish molding into the liftgate in order to fully seat the retaining clips.
6. Close the liftgate.

## **PRESSURE RELIEF VALVE REPLACEMENT**



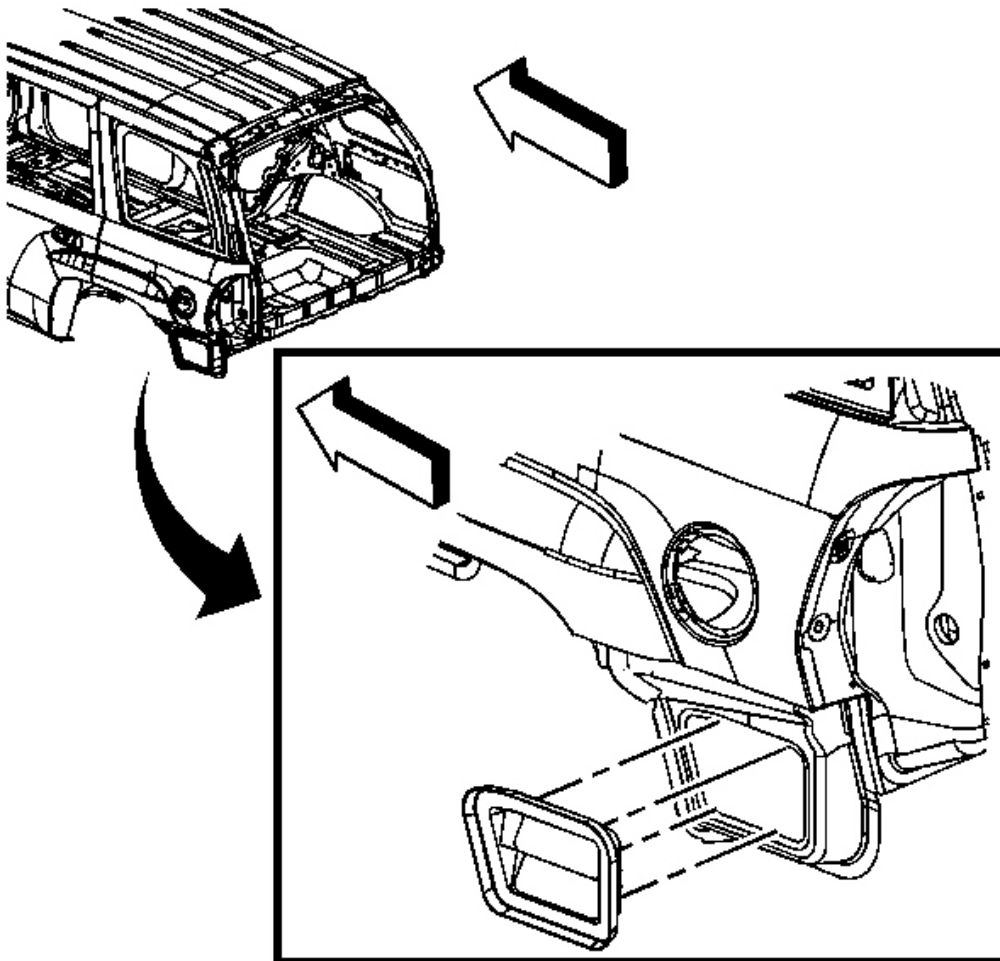
**Removal Procedure**



**Fig. 53: Locating Pressure Relief Valve**  
Courtesy of GENERAL MOTORS CORP.

1. Remove the rear bumper fascia. Refer to **Rear Bumper Fascia Replacement** .
2. Using a small flat-bladed tool, apply pressure at 2 upper locations and 2 lower locations to release the retainers on the pressure relief valve.
3. Remove the pressure relief valve from the lower quarter panel.

**Installation Procedure**



**Fig. 54: Locating Pressure Relief Valve**  
Courtesy of GENERAL MOTORS CORP.

1. Install the pressure relief valve to the lower quarter panel.
2. Press the pressure relief valve into the quarter lower panel until the retainers lock into place at the upper and lower locations.
3. Install the rear bumper fascia. Refer to **Rear Bumper Fascia Replacement** .