

GENERAL INFORMATION

Service Reminder Indicators - Isuzu

OXYGEN SENSOR WARNING LIGHT

NOTE: Most vehicles are equipped with a Malfunction Indicator Light (MIL) or check engine light. If light comes on and remains on while driving, the vehicle requires some type of repair. See appropriate service and repair information. After repairing fault(s) and clearing fault code(s), the MIL or check engine light should go out. Some models may use a dual-function indicator light, which is also used to indicate emission component service is due. After performing required service, reset indicator light.

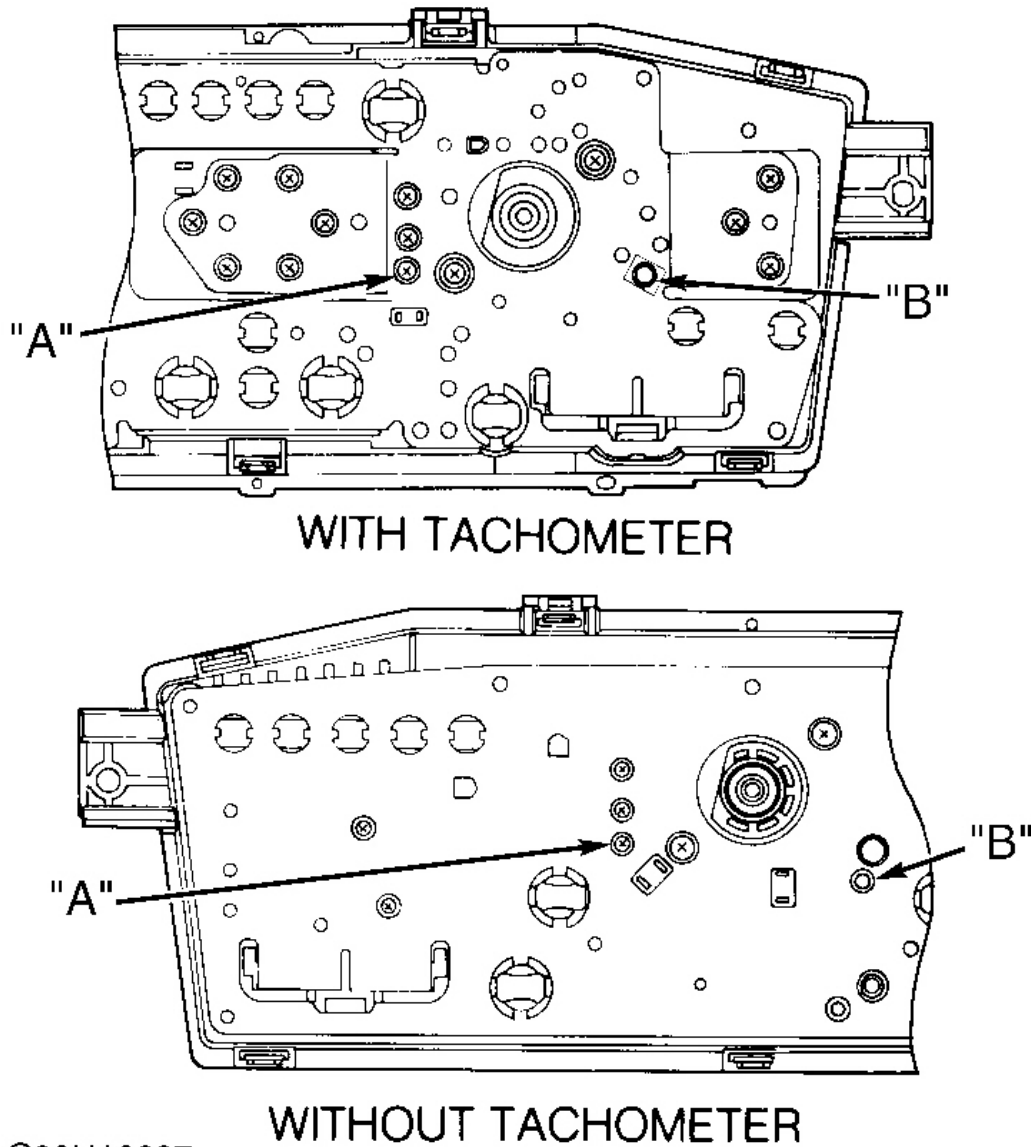
AMIGO, PICKUP, RODEO & TROOPER

1. O2S indicator light on dash will illuminate at 90,000 miles on all models, and then every subsequent 90,000 miles on Amigo, Pickup, Rodeo and 1992-94 Trooper. After servicing, turn off or reset warning light.
2. To turn indicator light off on 1988-91 Trooper, slide reset switch on rear of speedometer assembly. See **Fig. 3**. To reset light on Amigo, Pickup, Rodeo and 1992-94 Trooper models, remove instrument cluster. Remove masking tape from hole "B". See **Fig. 1** or **Fig. 2**. Remove screw from hole "A" and insert into hole "B".

NOTE: Reset procedure for models with screw on back of instrument panel is for first 90,000 mile reset. At every subsequent 90,000 mile reset, move screw back to previous hole.

2008 Isuzu Ascender LS

GENERAL INFORMATION Service Reminder Indicators - Isuzu

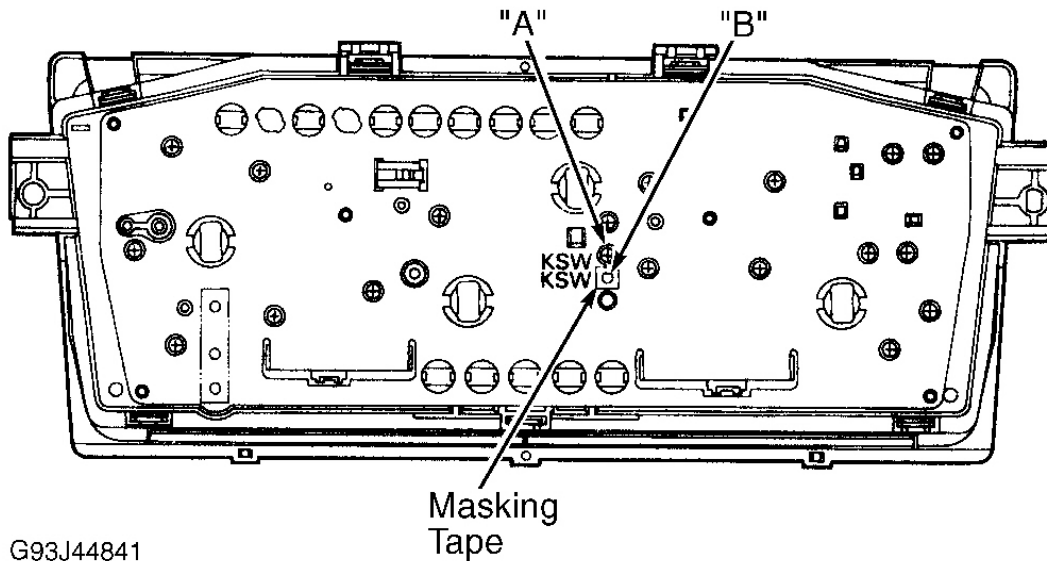


G90H16607

Fig. 1: Identifying Oxygen Sensor Warning Light Reset Holes (Isuzu Amigo, Pickup & 1991 Rodeo)
Courtesy of ISUZU MOTOR CO.

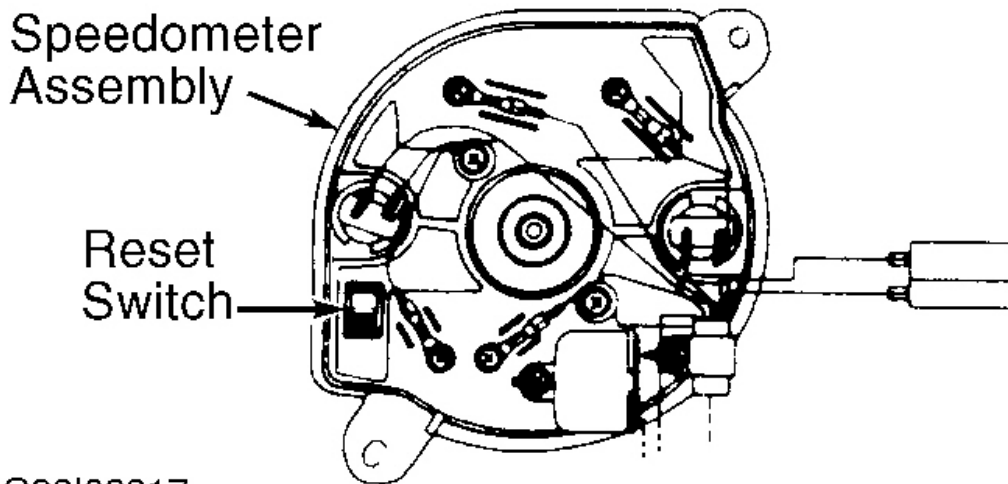
2008 Isuzu Ascender LS

GENERAL INFORMATION Service Reminder Indicators - Isuzu



G93J44841

Fig. 2: Identifying Oxygen Sensor Warning Light Reset Holes (1992-94 Rodeo & Trooper)
Courtesy of ISUZU MOTOR CO.



G92I03917

Fig. 3: Identifying Oxygen Sensor Warning Light Reset Switch (1988-91 Trooper)
Courtesy of ISUZU MOTOR CO.

MAINTENANCE REQUIRED REMINDER LIGHT

1996-97 OASIS

1. At each 7500 mile service interval, the MAINTENANCE REQUIRED light will change from Green to Yellow. If service is not performed (and light is not reset), the MAINTENANCE REQUIRED light will change from Yellow to Red.
2. When service has been completed, reset MAINTENANCE REQUIRED reminder light. To reset reminder light, turn ignition off. Insert ignition key in slot provided to the right of tachometer (or beside the indicator).

1998-99 OASIS

1. For the first 6000 miles after completion of scheduled maintenance and indicator light reset, the MAINTENANCE REQUIRED reminder light will illuminate when ignition is turned on, then go out after 2 seconds. Between 6000 and 7500 miles, the MAINTENANCE REQUIRED reminder light will flash for 10 seconds, then go out. After exceeding 7500 miles without having scheduled maintenance performed, light will remain on until it is reset.
2. When service has been completed, reset MAINTENANCE REQUIRED reminder light. To reset light, turn ignition off. Press and hold SELECT/RESET button located on right side of instrument cluster, below speedometer. Turn ignition on. Hold button for 10 seconds, until indicator resets.

CHANGE ENGINE OIL INDICATOR

NOTE: Change oil message will usually occur between 3000-7500 miles since the last oil change. Under severe conditions, the indicator may come on before 3000 miles. Vehicle should not be driven more than 7,500 miles or 12 months without an oil and oil filter change.

2003-08 ASCENDER

1. Turn ignition switch to RUN position, with engine off.
2. Fully press and release accelerator pedal slowly 3 times within 5 seconds. Turn ignition switch to LOCK/OFF position. If CHANGE OIL SOON indicator comes back after starting engine, repeat reset procedure.

2007 I-280 & I-350

1. Turn ignition to ON, with engine off.
2. Press and release the stem in lower center of instrument cluster until OIL LIFE message is displayed.
3. Once the alternating OIL LIFE and REST messages appear, press and hold stem until several beeps sound. This confirms that oil system has been reset.
4. Turn ignition off. If CHANGE OIL message comes back on when starting engine, repeat reset procedure.

2007-08 I-290 & I-370

2008 Isuzu Ascender LS

GENERAL INFORMATION Service Reminder Indicators - Isuzu

1. Turn ignition to ON, with engine off.
2. Press and release the stem in lower center of instrument cluster until OIL LIFE message is displayed.
3. Once the alternating OIL LIFE and REST messages appear, press and hold stem until several beeps sound. This confirms that oil system has been reset.
4. Turn ignition off. If CHANGE OIL message comes back on when starting engine, repeat reset procedure.

TIRE PRESSURE MONITOR SYSTEM

2006-08 ASCENDER

NOTE: When the wheels have been rotated, or a tire pressure sensor or EGM/LGM has been replaced, retrain tire pressure sensor. See TIRE PRESSURE SENSOR RELEARN in appropriate manufacturer service information.

The TPM system will cancel the learn mode if more than 2 minutes have passed and no sensors have been learned, or if the system has been in learn mode for more than 5 minutes. If the learn mode is canceled before any sensor has been learned, the EGM/LGM will remember all previously stored sensor IDs and their locations. As soon as the first sensor ID code is learned, all other IDs are erased from the EGM/LGM's memory.

NOTE: Before proceeding with the steps below, ensure that no other sensor learn procedure is being performed simultaneously, or that tire pressures are not being adjusted on a TPM equipped vehicle within close proximity.

NOTE: In the following procedure, a TPM Sensor Activation Tool (J-46079) may be used in place of increasing/decreasing pressures to enable sensor. To use, place activator antenna against the tire sidewall close to the wheel rim at the valve stem location, then press and release the ACTIVATE button.

NOTE: If TPM Sensor Activation Tool (J-46079) is used, and vehicle is having trouble entering relearn mode, check batteries in activation tool. Low batteries may allow some functions to work, but not allow vehicle to perform learn function. When the internal battery is fresh (fully charged), the indicator is "full" or all dark. When the battery is depleted, the indicator shows "empty" or all light.

1. Turn ignition switch to ON position, with engine off. Apply parking brake.

NOTE: If learn mode cannot be enabled, TPM system is not enabled in EGM/LGM. See appropriate manufacturer service information.

2. Turn headlight switch from OFF to parking lamps 4 times within 4 seconds. A double horn chirp will sound and the low tire pressure indicator will begin to flash to indicate the learn mode has been enabled.

WARNING: Overinflating tires may cause personal injury or damage to the tires and wheels. When increasing tire pressure, do not exceed the

2008 Isuzu Ascender LS

GENERAL INFORMATION Service Reminder Indicators - Isuzu

maximum inflation pressure as noted on the tire sidewall.

3. Starting with left front tire, increase or decrease the pressure for 8-10 seconds, or until a horn chirp sounds. Horn chirp may occur before the 8-10 second pressure increase/decrease time period has been reached, or up to 30 seconds after the 8-10 second pressure increase/decrease time period has been reached.
4. After horn chirp has sounded, proceed as in step 3 for the next 3 sensors in the following order: right front, right rear and left rear.
5. After left rear sensor has been learned, turn ignition switch to OFF position to exit the learn mode. Adjust all tire pressures to specification.

2007-08 I-290 & I-370

NOTE: When the wheels have been rotated, or a tire pressure sensor or BCM has been replaced, retrain tire pressure sensor.

The TPM system will cancel the learn mode if more than 2 minutes have passed and no sensors have been learned, or if the system has been in learn mode for more than 5 minutes. If the learn mode is canceled before any sensor has been learned, the BCM will remember all previously stored sensor IDs and their locations. As soon as the first sensor ID code is learned, all other IDs are erased from the BCM's memory.

NOTE: Before proceeding with the steps below, ensure that no other sensor learn procedure is being performed simultaneously, or that tire pressures are not being adjusted on a TPM equipped vehicle within close proximity.

NOTE: In the following procedure, a TPM Sensor Activation Tool (J-46079) may be used in place of increasing/decreasing pressures to enable sensor. To use, place activator antenna against the tire sidewall close to the wheel rim at the valve stem location, then press and release the ACTIVATE button.

NOTE: If TPM Sensor Activation Tool (J-46079) is used, and vehicle is having trouble entering relearn mode, check batteries in activation tool. Low batteries may allow some functions to work, but not allow vehicle to perform learn function. When the internal battery is fresh (fully charged), the indicator is "full" or all dark. When the battery is depleted, the indicator shows "empty" or all light.

1. Turn ignition switch to ON position, with engine off. Apply parking brake.
2. Turn headlight switch from OFF to parking lamps 4 times within 4 seconds. A double horn chirp will sound and the low tire pressure indicator will begin to flash to indicate the learn mode has been enabled.

WARNING: Overinflating tires may cause personal injury or damage to the tires and wheels. When increasing tire pressure, do not exceed the maximum inflation pressure as noted on the tire sidewall.

2008 Isuzu Ascender LS

GENERAL INFORMATION Service Reminder Indicators - Isuzu

3. Starting with left front tire, increase or decrease the pressure for 8-10 seconds, or until a horn chirp sounds. Horn chirp may occur before the 8-10 second pressure increase/decrease time period has been reached, or up to 30 seconds after the 8-10 second pressure increase/decrease time period has been reached.
4. After horn chirp has sounded, proceed as in step 3 for the next 3 sensors in the following order: right front, right rear and left rear.
5. After left rear sensor has been learned, turn ignition switch to OFF position to exit the learn mode. Adjust all tire pressures to specification.