

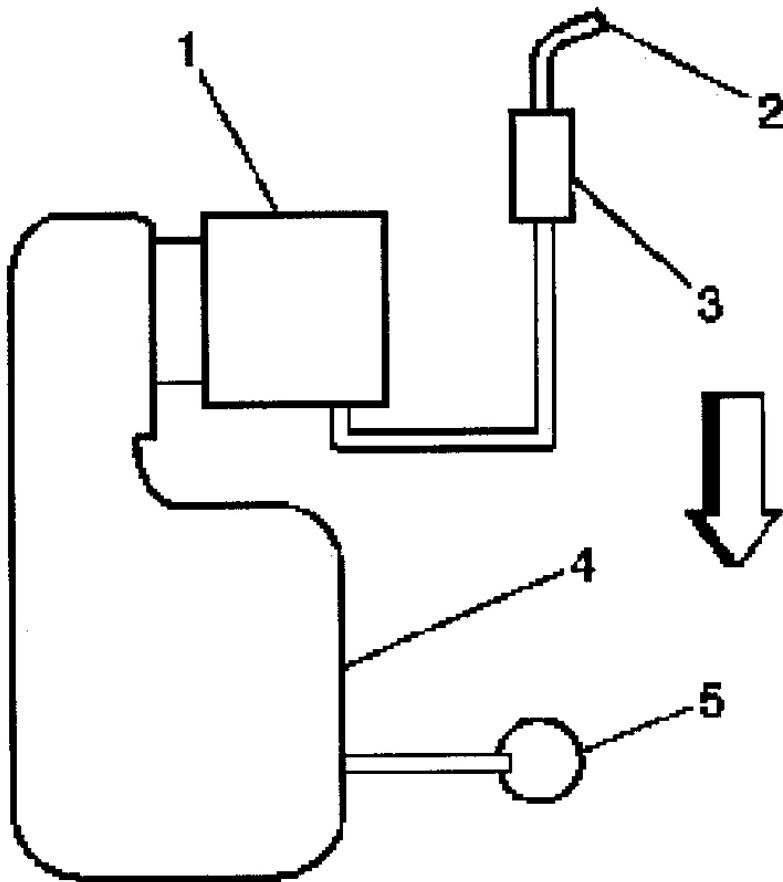
## **2003 ENGINE PERFORMANCE**

### **Vacuum Diagrams**

## **INTRODUCTION**

This article contains example underhood views or schematics of vacuum hose routing. Use these vacuum diagrams as a guide during visual inspection.

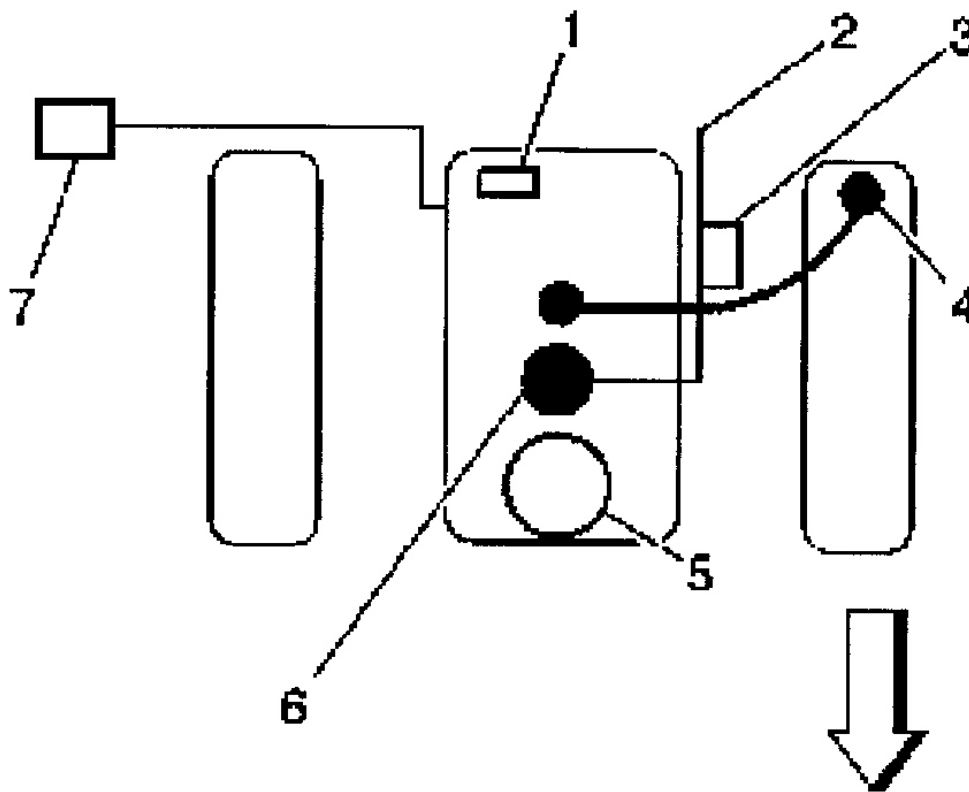
**NOTE:**        **Specific vacuum diagrams are not available for Axiom, Rodeo & Rodeo Sport. Use underhood emission application label to identify correct emission system applications. This will assist in identifying improperly routed vacuum hoses which may cause driveability and/or computer-indicated malfunctions.**



- (1) Throttle Body
- (2) To EVAP canister
- (3) EVAP canister purge valve
- (4) Preplenum resonator
- (5) Fuel pressure regulator

G00255925

**Fig. 1: Emission Hose Routing Diagram (Ascender 4.2L)**  
Courtesy of ISUZU MOTOR CO.



- (1) Manifold Absolute Pressure (MAP) Sensor
- (2) EVAP Canister Purge Hose
- (3) EVAP Service Port
- (4) Positive Crankcase Ventilation (PCV) Valve
- (5) Throttle Body
- (6) EVAP Canister Purge Valve
- (7) AIR Module, if equipped

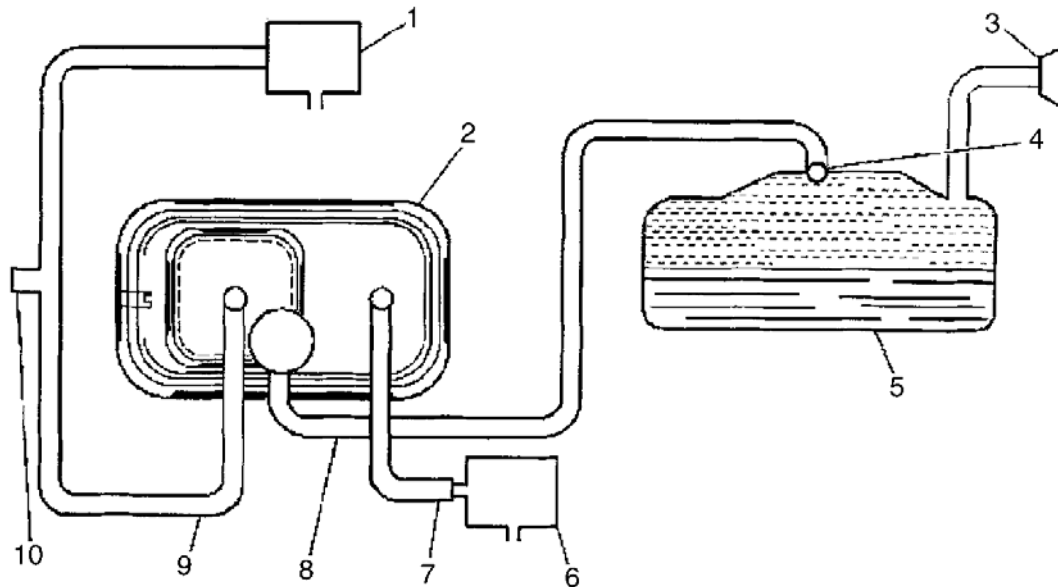
G00255926

**Fig. 2: Emission Hose Routing Diagram (Ascender 5.3L)**

## 2003 Isuzu Ascender

### 2003 ENGINE PERFORMANCE Vacuum Diagrams

Courtesy of ISUZU MOTOR CO.



- |  |                              |
|--|------------------------------|
| (1) EVAP Canister Purge Valve                      | (6) EVAP Canister Vent Valve |
| (2) EVAP Canister                                  | (7) Vent Hose/Pipe           |
| (3) Fuel Fill Neck/Fill Cap                        | (8) EVAP Vapor Pipe          |
| (4) Rollover Valve/Fuel Tank Pressure (FTP) Sensor | (9) EVAP Purge Pipe          |
| (5) Fuel Tank                                      | (10) EVAP Service Port       |

G00255927

**Fig. 3: Evaporative Emissions (EVAP) Hose Routing Diagram (Ascender 4.2L & 5.3L)**  
Courtesy of ISUZU MOTOR CO.