

2003 Isuzu Ascender

2003 ISUZU Ascender

2003 ISUZU

Ascender

BUZZERS, RELAYS & TIMERS

BUZZERS, RELAYS & TIMERS LOCATION

Component	Component Location
A/C Relay 44	In underhood fuse block.
Fan Relay 45	In underhood fuse block.
Fog LP Relay 39	In underhood fuse block.
F/PMP Relay 41	In underhood fuse block.
HDLP-HI Relay 43	In underhood fuse block.
HDM Relay 46	In underhood fuse block.
Horn Relay 40	In underhood fuse block.
IGN 1 Relay 58	In underhood fuse block.
Lock Relay 18	On rear fuse block.
Park LP Relay 30	On rear fuse block.
RAP Relay 22	On rear fuse block.
Rear Wash Relay 38	In underhood fuse block.
Starter Relay 47	In underhood fuse block.
Unlock Relay 24	On rear fuse block.
W/S Wash Relay 42	In underhood fuse block.

CIRCUIT PROTECTION DEVICES

CIRCUIT PROTECTION DEVICES LOCATION

Component	Component Location
Rear Fuse Block	Below left rear seat. See Fig. 7 .
Underhood Fuse Block	On left side of engine compartment.

CONTROL UNITS

CONTROL UNITS LOCATION

Component	Component Location
Auxiliary Blower Motor Control Processor	In rear HVAC module, behind right rear interior panel.
Blower Motor Control Module	Below right side of dash.
Body Control Module (BCM)	Beneath left rear seat, on rear fuse block. See Fig. 7 .
Driver's Door Module	On lower part of driver's door switch panel.
Electronic Brake Control Module	On inner left frame rail, adjacent to transmission.

2003 Isuzu Ascender

2003 ISUZU Ascender

Front Passenger's Door Module	On lower part of passenger's door switch panel.
HVAC Control Module	In dash center trim panel, beneath radio.
HVAC Control Module (Auxiliary)	At rear of lower console.
Inflatable Restraint Sensing & Diagnostic Module	Beneath lower console.
Inflatable Restraint Side Impact Module (Left Front)	In left front door.
Inflatable Restraint Side Impact Module (Right Front)	In right front door.
Inflatable Restraint Steering Wheel Module	In center hub of steering wheel.
Liftgate Module	Inside liftgate.
Memory Seat Module (Driver's/Passenger's)	Mounted on underside of respective seat.
Powertrain Control Module (PCM) (4.2L)	On left front of engine. See Fig. 3 .
Powertrain Control Module (PCM) (5.3L)	On left front of engine compartment.
Sun Roof Module	Above headliner, at rear of sun roof.
Throttle Actuator Control Module	On left rear of engine compartment.
Transfer Case Shift Control Module	Behind left lower dash. See Fig. 6 .
Turn Signal/Hazard Flasher Module	Behind left side of dash.
Vehicle Communication Interface Module	Upper right rear seat.

MOTORS

MOTORS LOCATION

Component	Component Location
Air Temperature Actuator (Auxiliary)	On rear HVAC module, behind right rear interior body panel.
Air Temperature Actuator (Left)	Behind left center of dash. See Fig. 5 .
Air Temperature Actuator (Right)	Behind right center of dash.
Blower Motor	Below right side of dash.
Blower Motor (Auxiliary)	Behind interior right rear trim panel.
Defrost Actuator	Behind upper left center of dash. See Fig. 5 .
Front Axle Actuator	Lower right front of engine, on oil pan.
Fuel Pump & Sender Assembly	Inside fuel tank.
Mode Actuator	Behind upper left center of dash. See Fig. 5 .
Recirculation Actuator	Above blower motor, on right side of dash carrier.
Sun Roof Motor	Above headliner, at rear of sun roof.
Throttle Actuator Control (TAC) Motor (4.2L)	On throttle body. See Fig. 1 .
Throttle Actuator Control (TAC) Motor (5.3L)	On throttle body.
Window Washer Fluid Pump (Rear)	In engine compartment, attached to fluid reservoir.
Window Wiper Motor (Front)	Under cowl cover.

2003 Isuzu Ascender

2003 ISUZU Ascender

Window Wiper Motor (Rear)	Inside liftgate.
Windshield Washer Fluid Pump (Front)	In engine compartment, attached to fluid reservoir.

SENDING UNITS & SENSORS**SENDING UNITS & SENSORS LOCATION**

Component	Component Location
A/C Refrigerant Pressure Sensor	On bottom right side of engine.
Accelerator Pedal Position Sensor	On accelerator bracket.
Air Temperature Sensor Assembly (Inside)	In left "B" pillar.
Air Temperature Sensor (Lower Left)	In lower left air duct assembly.
Air Temperature Sensor (Lower Right)	In lower right air duct assembly.
Air Temperature Sensor (Upper Left)	In upper air duct.
Air Temperature Sensor (Upper Right)	In upper air duct.
Ambient Light Sensor	In center of upper dash trim panel.
Ambient Light/Sunload Sensor Assembly	In center of upper dash trim panel.
Camshaft Position (CMP) Sensor (4.2L)	On right front of cylinder head. See Fig. 2 .
Camshaft Position (CMP) Sensor (5.3L)	On top rear of engine, near transmission.
Crankshaft Position (CKP) Sensor (4.2L)	On left rear of engine, below starter. See Fig. 4 .
Crankshaft Position (CKP) Sensor (5.3L)	On right rear of engine, near starter.
Engine Coolant Temperature (ECT) Sensor	On left front of engine, near generator. See Fig. 3 .
Fuel Tank Pressure Sensor	At top left rear of fuel tank.
Heated Oxygen Sensor (HO2S) 1 (4.2L)	Right side of engine, on exhaust manifold.
Heated Oxygen Sensor (HO2S) 2 (4.2L)	In exhaust pipe, adjacent to transmission.
Heated Oxygen Sensor (HO2S) Bank 1 Sensor 1 (5.3L)	On left bank exhaust pipe, ahead of catalytic converter.
Heated Oxygen Sensor (HO2S) Bank 1 Sensor 2 (5.3L)	On left bank exhaust pipe, behind catalytic converter.
Heated Oxygen Sensor (HO2S) Bank 2 Sensor 1 (5.3L)	On right bank exhaust pipe, ahead of catalytic converter.
Heated Oxygen Sensor (HO2S) Bank 2 Sensor 2 (5.3L)	On right bank exhaust pipe, behind catalytic converter.
Inflatable Restraint Side Impact Sensor (Left)	In left front door.
Inflatable Restraint Side Impact Sensor (Right)	In right front door.
Intake Air Temperature (IAT) Sensor	In air intake duct, on top right of engine. See Fig. 1 .
Knock Sensor 1 (KS) (Front) (4.2L)	On lower left front of engine block. See Fig. 4 .
Knock Sensor 2 (KS) (Rear) (4.2L)	On lower left rear of engine block. See Fig. 4 .
Knock Sensor 1 (Left) (5.3L)	On top rear of engine.
Knock Sensor 2 (Right) (5.3L)	On top rear of engine.
Manifold Absolute Pressure (MAP) Sensor (4.2L)	On upper left side of engine. See Fig. 1 .
Manifold Absolute Pressure (MAP) Sensor (5.3L)	On top of engine.

2003 Isuzu Ascender

2003 ISUZU Ascender

Mass Airflow Sensor/Intake Air Temperature (5.3L)	In intake air duct.
Memory Seat Module (Driver's/Passenger's)	Mounted on underside of respective seat.
Oil Pressure Sensor	On top rear of engine, near transmission.
Outside Moisture Sensor	Attached to windshield, near inside rearview mirror.
Passlock Sensor	In steering column.
Position Sensor	Under driver's seat.
Propshaft Speed Sensor (Front Transfer Case)	On left rear of transfer case.
Propshaft Speed Sensor (Rear Transfer Case)	On right rear of transfer case.
Throttle Actuator Control Sensor	Attached to throttle shaft.
Vehicle Speed Sensor (2WD)	On right rear of transmission.
Vehicle Speed Sensor (4WD)	On left rear of transfer case.
Wheel Speed Sensor (Left Front)	On left front wheelhousing.
Wheel Speed Sensor (Right Front)	On right front wheelhousing.

SOLENOIDS & SOLENOID VALVES

SOLENOIDS & SOLENOID VALVES LOCATION

Component	Component Location
Automatic Transmission Shift Lock Actuator	In lower console.
Camshaft Actuator Solenoid Assembly	On right front of cylinder head. See Fig. 2 .
Defrost Actuator	On upper dash carrier.
Evaporative Emission (EVAP) Canister Purge Solenoid	On left side of engine block. See Fig. 4 .
Evaporative Emission (EVAP) Canister Vent Solenoid	Rear of fuel tank.
Front Axle Actuator	Lower right front of engine, on oil pan.
Mode Actuator	Behind dash, left of dash center support.
Mode Actuator (Auxiliary)	In lower console.
Pressure Control Solenoid Valve	In transmission.
Torque Converter Clutch Pulse Width Modulated Solenoid Valve	In transmission.
Torque Converter Clutch Solenoid Valve	In transmission.
1-2 Shift Solenoid Valve	In transmission.
2-3 Shift Solenoid Valve	In transmission.
3-2 Shift Solenoid Valve	In transmission.

SWITCHES

SWITCHES LOCATION

Component	Component Location
A/C Low Pressure Switch	At right rear of underhood compartment.
Automatic Transmission Fluid Pressure Manual Valve	In transmission.

2003 Isuzu Ascender

2003 ISUZU Ascender

Position Switch	
Brake Fluid Level Switch	In brake master cylinder fluid reservoir.
Engine Oil Pressure Switch	On right side of engine.
Fan Temperature Switch	In upper right spoke of steering wheel.
Ignition Key Alarm Switch	In steering column.
Liftglass Ajar Switch	Inside top of liftgate.
Park Brake Switch	On park brake assembly.
Park/Neutral Position Switch	On left side of transmission.
Seat Belt Buckle Switch	In seat buckle assembly.
Steering Wheel Control Assembly	In steering wheel hub.
Stoplamp Switch	On brake pedal support.
Windshield Washer Fluid Level Switch	In engine compartment, mounted on fluid reservoir.

MISCELLANEOUS

MISCELLANEOUS LOCATION

Component	Component Location
Audio Amplifier	In rear compartment, behind left side panel.
Blower Motor Resistor Assembly	On bottom of blower assembly.
Data Link Connector	Below dash, above accelerator pedal.
Horn Assembly	In left front of engine compartment.
Inflatable Restraint Steering Wheel Module Coil	In center hub of steering wheel.
Transfer Case Encoder	On left rear of transfer case.
Voice Recorder	In upper console.

CONNECTORS

CONNECTORS LOCATION

Component	Component Location
C100 (White, 10 Pin)	At left front of engine.
C101 (Black, 38 Pin)	At left side of engine compartment.
C104 (Black, 8 Pin)	At top of engine.
C105 (Black, 8 Pin)	At top of engine.
C107 (Black, 38 Pin)	At rear of engine compartment.
C108 (Light Gray, 8 Pin)	On top right side of engine.
C109 (Light Gray, 8 Pin)	On top left side of engine.
C115 (Black, 2 Pin)	On top of engine.
C118 (Black, 6 Pin)	On top left side of radiator fan shroud.
C201 (Black, 18 Pin)	At base of steering column.
C203 (Yellow, 4 Pin)	On lower right side of dash.

2003 Isuzu Ascender

2003 ISUZU Ascender

C304 (Black, 16 Pin)	On rear floor area, under carpet.
C305 (Black, 16 Pin)	Inside upper console.
C307 (Gray, 18 Pin)	Beneath rear of lower console.
C308 (Black, 6 Pin)	Above left rear door.
C309 (Black, 10 Pin)	Under rear lower console.
C311 (Black, 10 Pin)	Lower front of driver's seat.
C314 (Black, 10 Pin)	Lower front of passenger's seat.
C401 (Black, 12 Pin)	Behind right rear body side panel.
C500 (Black, 12 Pin)	Midpoint of leading edge of left front door.
C600 (Black, 12 Pin)	Midpoint of leading edge of right front door.
C700 (White, 17 Pin)	Midpoint of leading edge of left rear door.
C800 (White, 17 Pin)	Midpoint of leading edge of right rear door.
C900 (Black, 6 Pin)	Top of liftgate.
C901 (Gray, 2 Pin)	Inside liftgate.

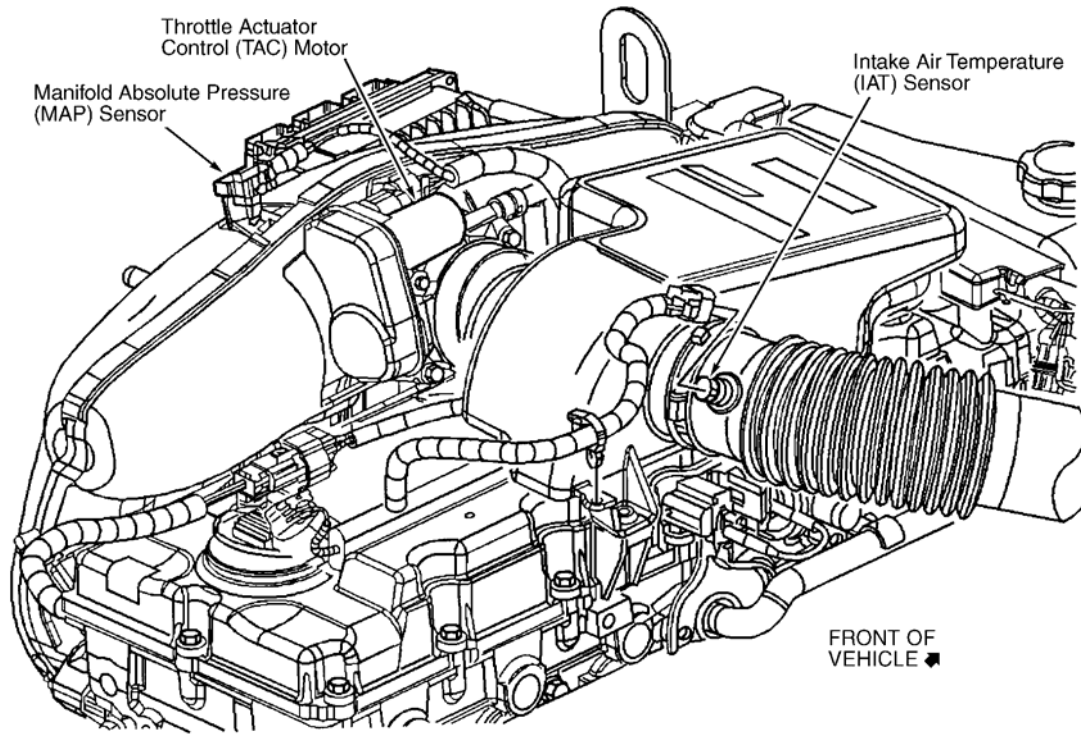
GROUNDS

GROUNDS LOCATION

Component	Component Location
G101	At left side of engine compartment.
G102	At left side of engine compartment.
G103	At right rear of engine compartment.
G104	At left rear of hood.
G105	At left side of engine compartment.
G106	On left front wheelwell.
G107	On lower left side of engine.
G108	On lower left side of engine.
G109	On lower left side of engine.
G110	On lower left side of engine.
G201	Near right front of lower console.
G302	On lower left "B" pillar.
G303	On lower right "B" pillar.
G304	Outside of left frame rail, near electronic brake control module.
G305	On outside of left frame rail, near fuel tank.
G306	On body panel, left of rear door.
G401	On lower left "D" pillar.
G402	On lower right "D" pillar.
G403	On left side of rear frame crossmember.

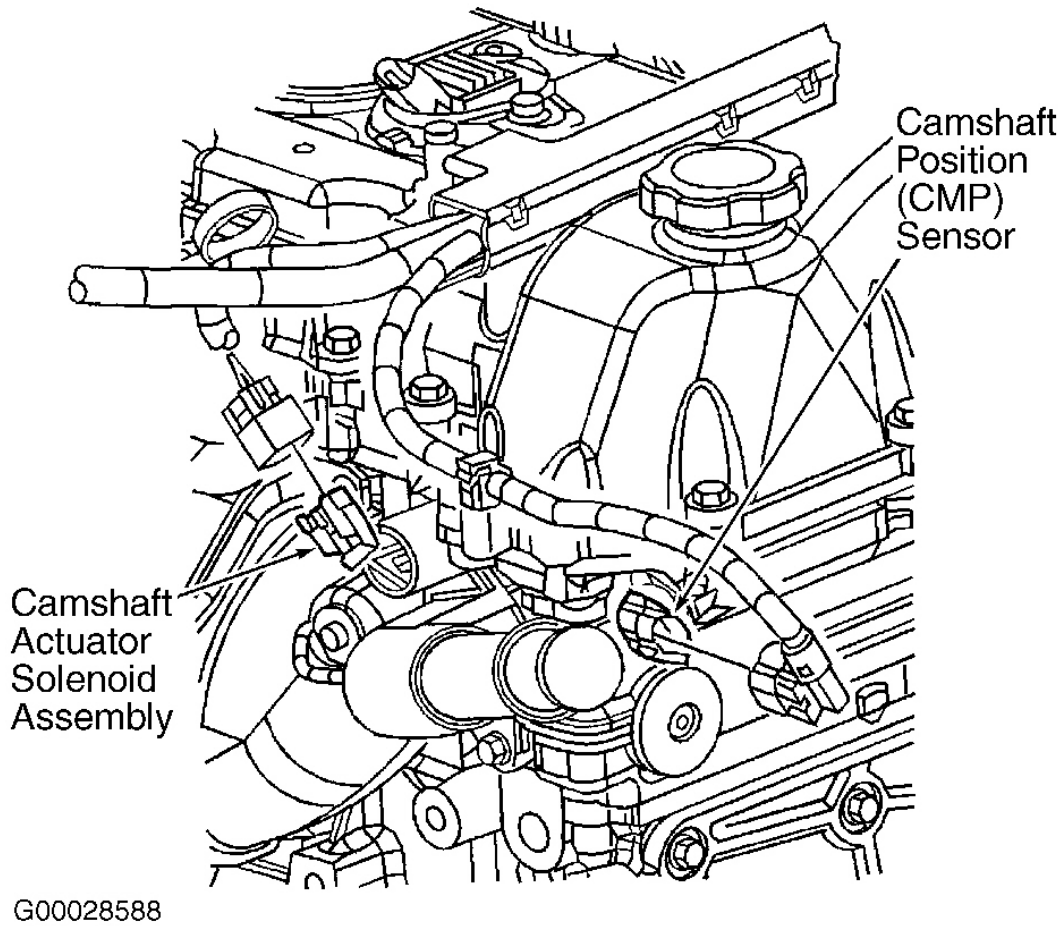
COMPONENT LOCATION GRAPHICS

NOTE: Figures may show multiple component locations. Refer to appropriate table for proper figure references.



G00028587

Fig. 1: Top Of Engine (4.2L)
Courtesy of GENERAL MOTORS CORP.



G00028588

Fig. 2: Right Front Of Engine (4.2L)
Courtesy of GENERAL MOTORS CORP.

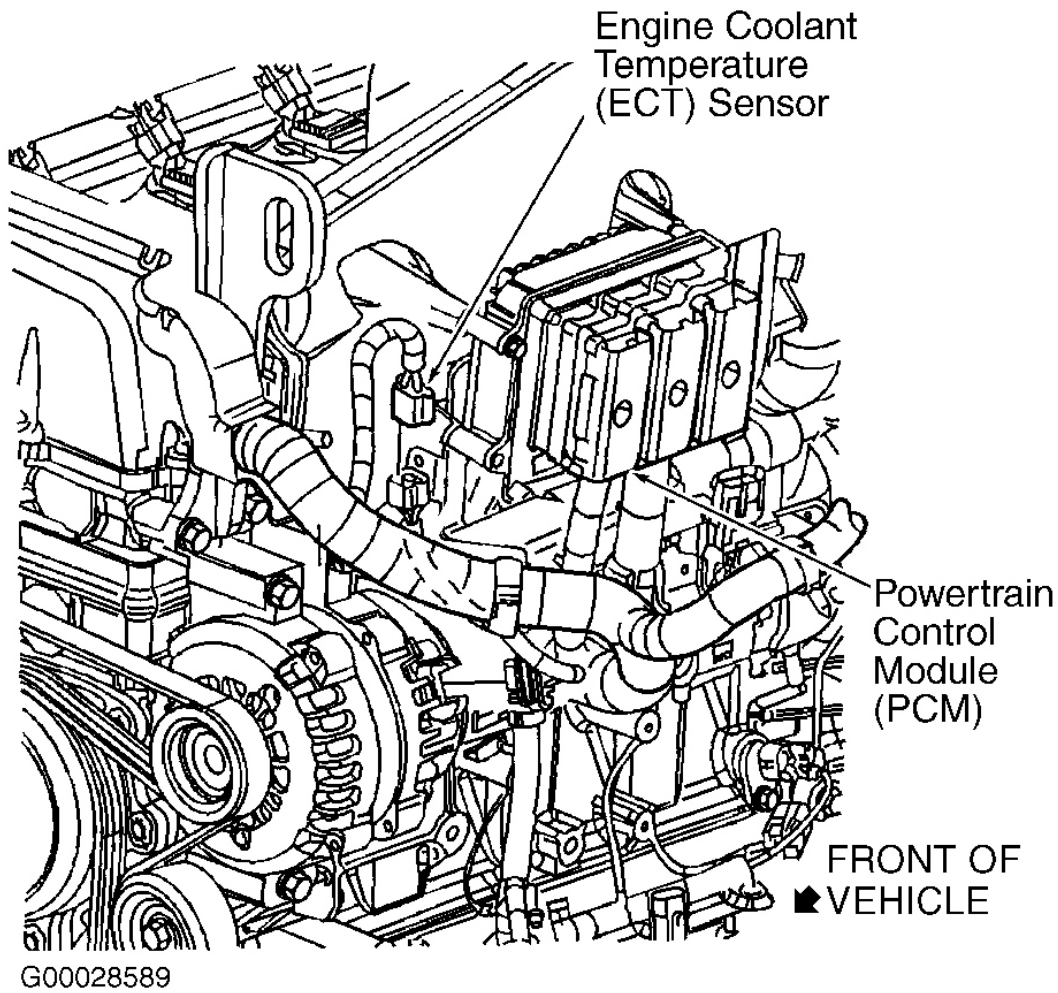


Fig. 3: Left Side Of Engine (4.2L)
Courtesy of GENERAL MOTORS CORP.

2003 Isuzu Ascender

2003 ISUZU Ascender

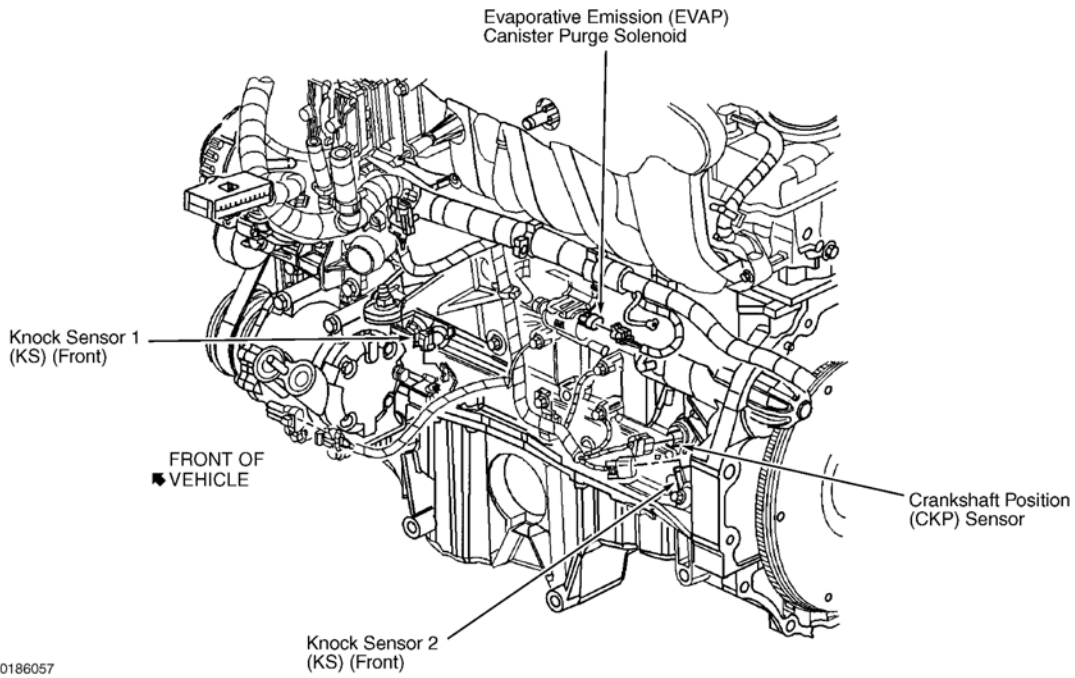
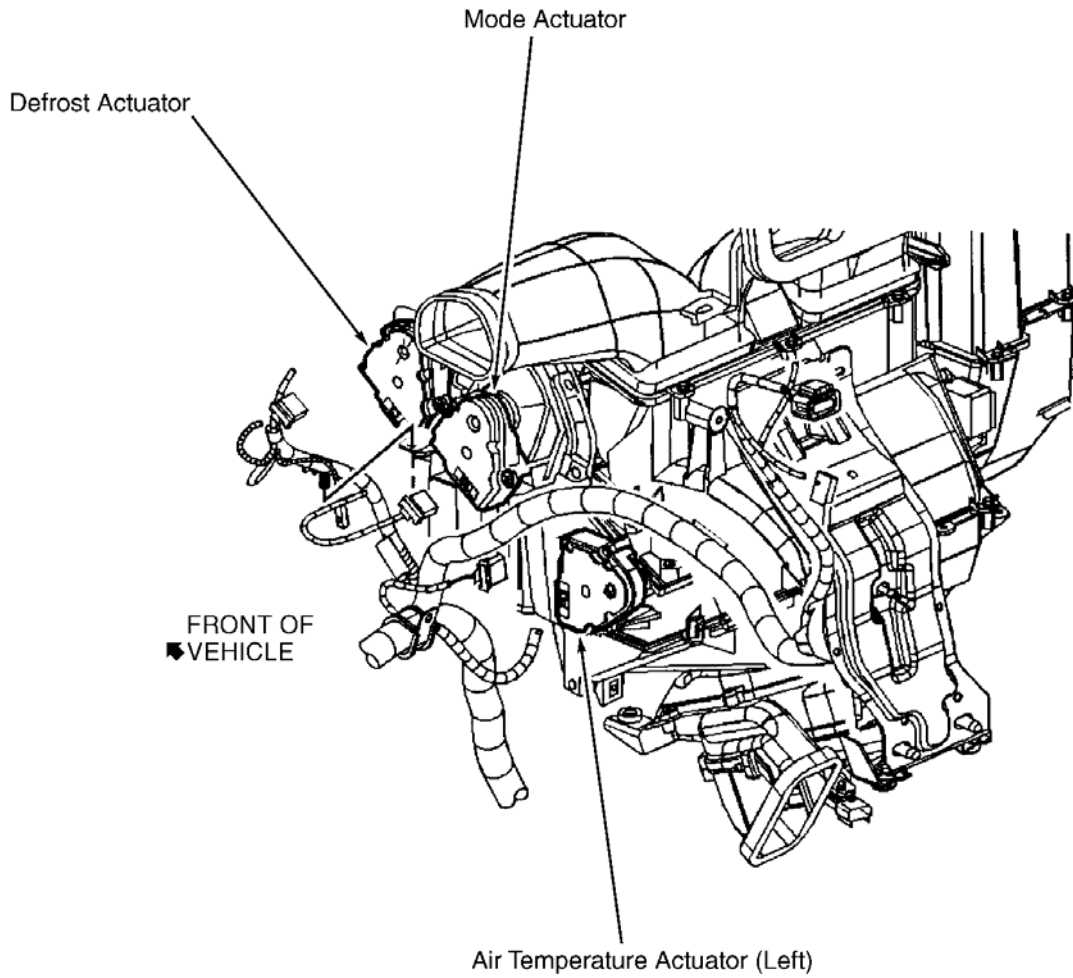


Fig. 4: Left Side Of Engine (4.2L)
Courtesy of GENERAL MOTORS CORP.

2003 Isuzu Ascender

2003 ISUZU Ascender

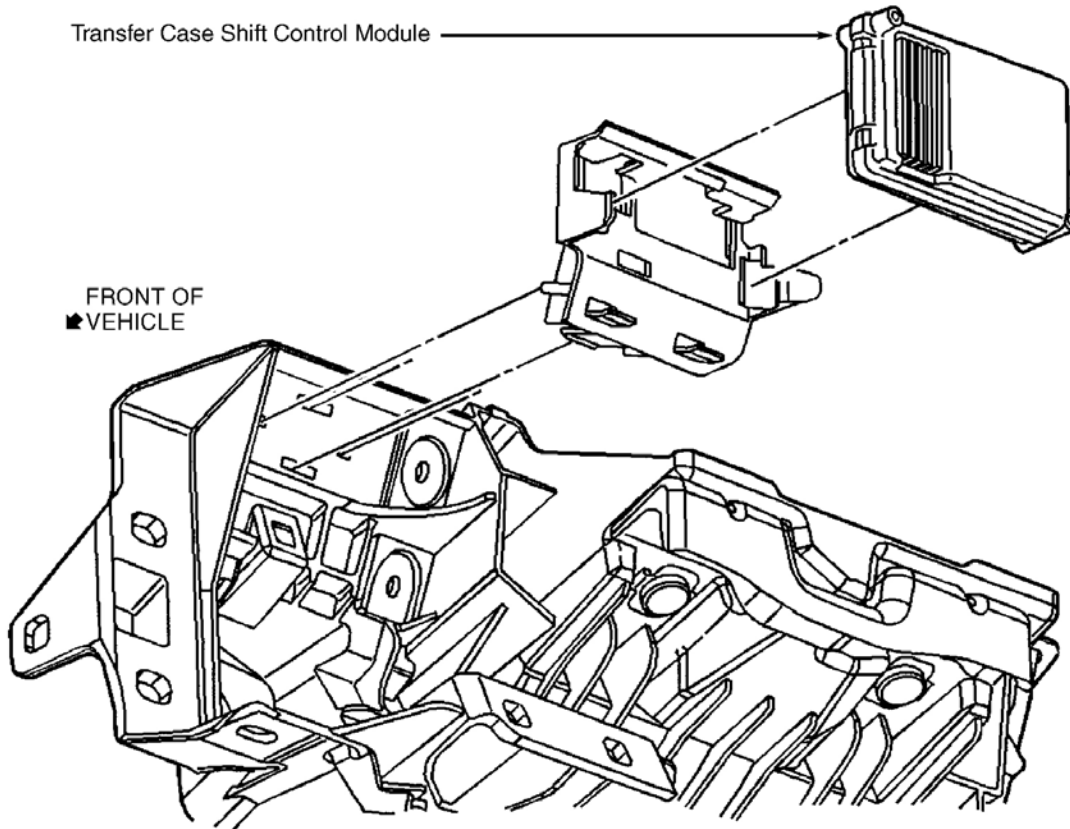


G00028591

Fig. 5: Behind Center Of Dash
Courtesy of GENERAL MOTORS CORP.

2003 Isuzu Ascender

2003 ISUZU Ascender

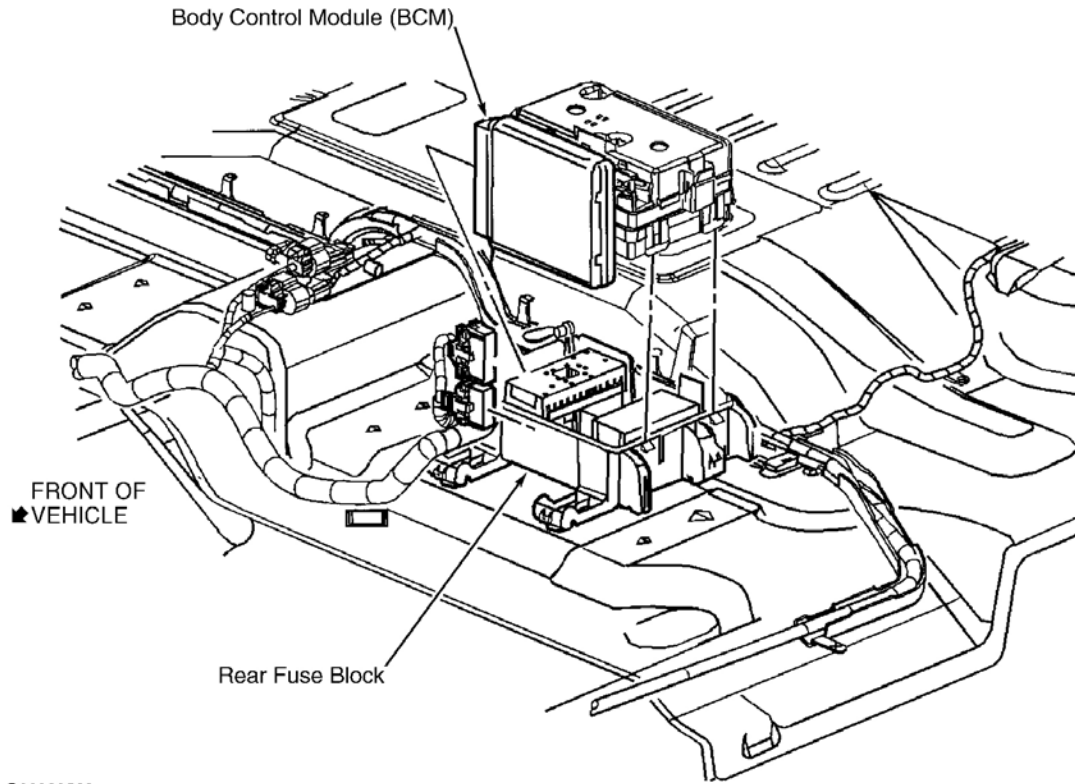


G00028592

Fig. 6: Left End Of Dash
Courtesy of GENERAL MOTORS CORP.

2003 Isuzu Ascender

2003 ISUZU Ascender



G00028593

Fig. 7: Below Left Rear Seat
Courtesy of GENERAL MOTORS CORP.