

## 2003 Isuzu Ascender

2003-04 ELECTRICAL Fuses & Circuit Breakers - Ascender

### 2003-04 ELECTRICAL

#### Fuses & Circuit Breakers - Ascender

## IDENTIFICATION

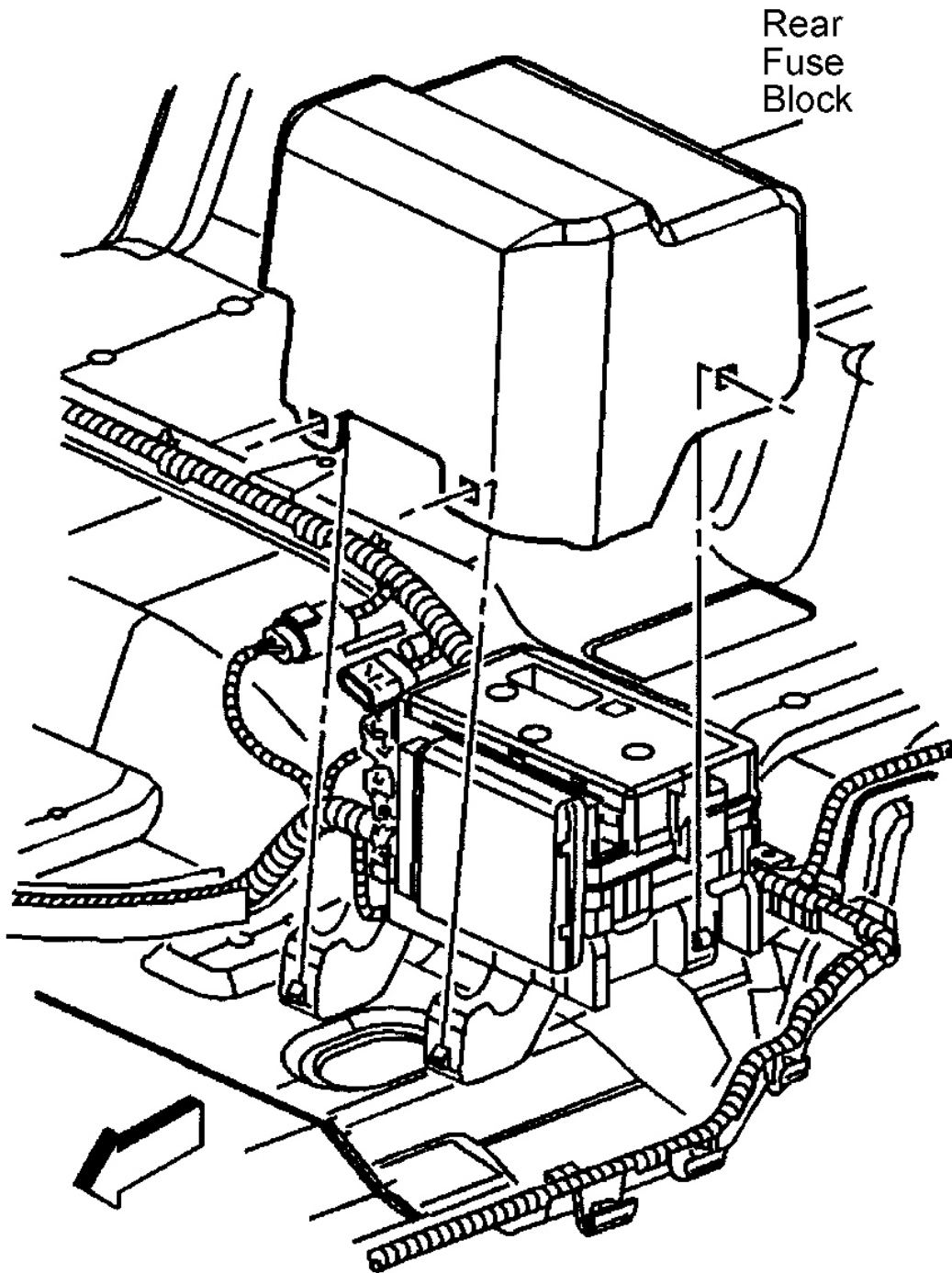
**CAUTION:** When battery is disconnected, vehicle computer and memory systems may lose memory data. Driveability problems may exist until computer systems have completed a relearn cycle. See appropriate **COMPUTER RELEARN PROCEDURES** articles in **GENERAL INFORMATION** before disconnecting battery.

### REAR FUSE BLOCK

**NOTE:** The rear fuse block is located under rear seat on the driver side of the vehicle. See Fig. 1 .

2003 Isuzu Ascender

2003-04 ELECTRICAL Fuses & Circuit Breakers - Ascender

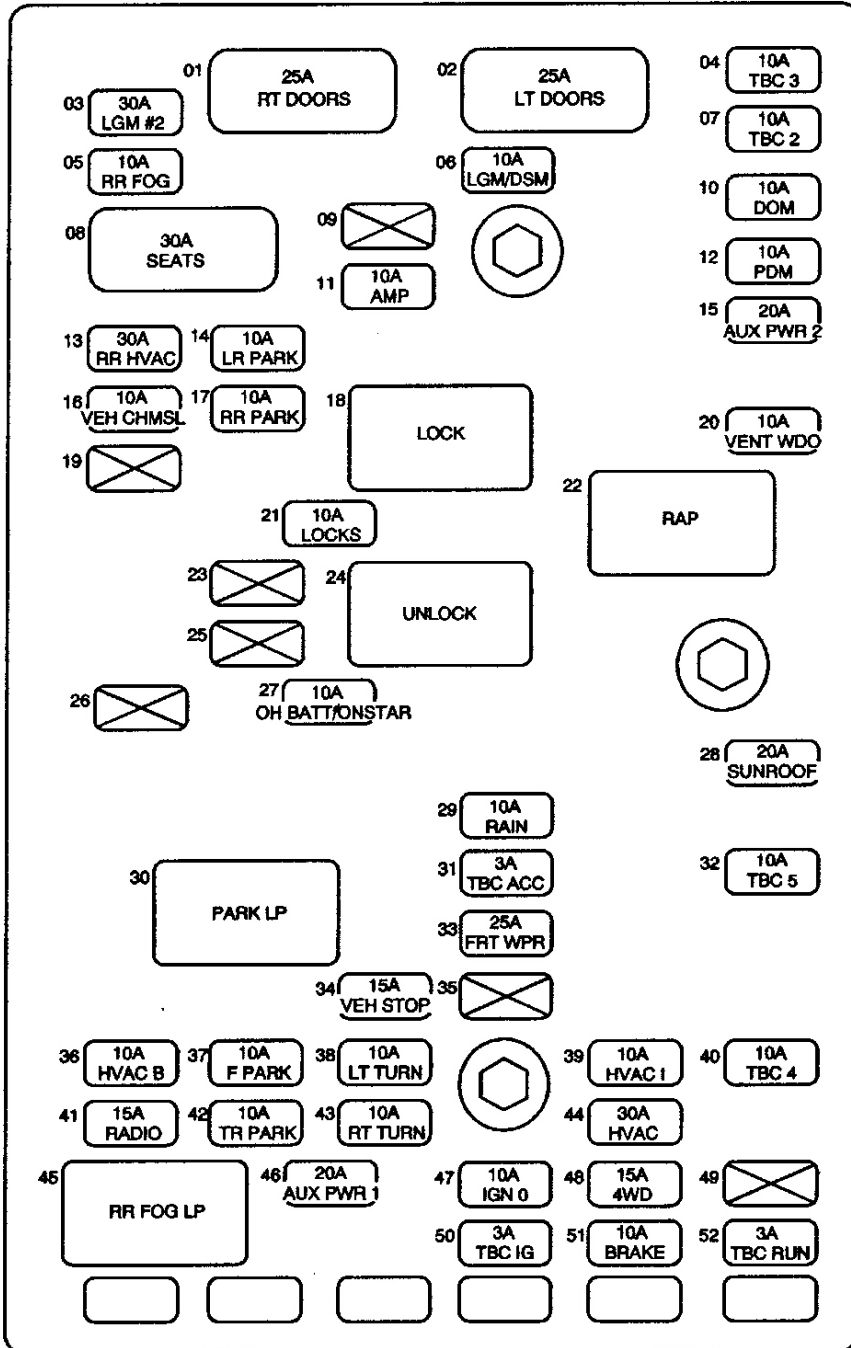


G00351332

**Fig. 1: Locating Rear Fuse Block**  
Courtesy of GENERAL MOTORS CORP.

# 2003 Isuzu Ascender

## 2003-04 ELECTRICAL Fuses & Circuit Breakers - Ascender



G00351336

**Fig. 2: Identifying Rear Fuse Block Components**  
 Courtesy of GENERAL MOTORS CORP.

## 2003 Isuzu Ascender

### 2003-04 ELECTRICAL Fuses & Circuit Breakers - Ascender

Fuse	Rating	Description
RT DOORS Circuit Breaker	25A	Front Passenger Door Module (FPDM), Right Rear Window Switch
LT DOORS Circuit Breaker	25A	Driver Door Module (DDM), Left Rear Window Switch
LGM #2 Fuse	30A	Liftgate Module
TBC 3 Fuse	10A	Body Control Module (BCM)
RR FOG Fuse	10A	Rear Fog Lamp
LGM/DSM Fuse	10A	Memory Seat Module-Driver, Memory Seat Module-Front Passenger, and (export only with BAE) Cobra Intrusion Sensor and Inclination Sensor
TBC 2 Fuse	10A	Body Control Module (BCM)
SEATS Circuit Breaker	30A	Memory Seat Module-Driver, Memory Seat Module-Front Passenger
DDM Fuse	10A	Driver Door Module (DDM)
AMP Fuse 20A	--	Audio Amplifier
PDM Fuse	10A	Front Passenger Door Module (FPDM)
RR HVAC Fuse	30A	Blower Motor-Auxiliary, Blower Motor Control Processor-Auxiliary
LR PARK Fuse	10A	License Lamps and Left Tail Lamp
AUX PWR 2 Fuse	20A	Auxiliary Power Outlet-Rear
VEH CHMSL Fuse	10A	Center High-Mounted Stop Lamp (CHMSL)
RR PARK Fuse	10A	Right Tail Lamp Assembly
LOCK Relay	--	Rear Door Lock Actuators
VENT WDO Fuse	20A	RAP (Retained Accessory Power) Relay
LOCKS Fuse	10A	LOCK Relay and UNLOCK Relay
RAP Relay	--	Quarter-glass switches and actuators, Sunroof Module
UNLOCK Relay	--	Rear Door Lock Actuators
OH BATT/ONSTAR Fuse	10A	Garage Door Opener, Voice Recorder, Digital Video Disc (DVD) Player
SUNROOF	20A	Sunroof Module

G00351337

**Fig. 3: Rear Fuse Block Legend (1 Of 2)**  
 Courtesy of GENERAL MOTORS CORP.

## 2003 Isuzu Ascender

### 2003-04 ELECTRICAL Fuses & Circuit Breakers - Ascender

Fuse	Rating	Description
RAIN Fuse	10A	Outside Moisture Sensor, Digital Video Disc (DVD) Player
PARK LP Relay	--	LR PARK, RR PARK, F PARK, and TR PARK Fuses
TBC ACC Fuse	3A	Body Control Module (BCM)
TBC 5 Fuse	10A	Body Control Module (BCM)
FRT WPR Fuse	25A	Windshield Wiper Motor
VEH STOP Fuse	15A	Tail Lamps, Powertrain Control Module (PCM), Throttle Actuator Control (TAC) Module
HVAC B Fuse	10A	HVAC Control Module, HVAC Control Module-Auxiliary
F PARK Fuse	10A	Turn Signal/Multifunction Switch, Marker Lamps, Front Park and Turn Signal Lamps
LT TURN Fuse	10A	Instrument Panel Cluster, Driver Door Module (DDM), Tail Lamp Assembly-Left, Marker Lamp-Left, Park/Turn Signal Lamp-LF
HVAC I Fuse	10A	HVAC Control Module, Turn Signal/Multifunction Switch, Air Temperature Actuator-Right, Defrost Actuator, Recirculation Actuator, Mode Actuator, Console Mode Actuator, Air Temperature Actuator-Left, Traction Control Switch, and (Olds only) Electronic Brake Control Module (EBCM)
TBC 4	10A	Body Control Module (BCM)
RADIO	15A	Radio
TR PARK	10A	Trailer Connector
RT TURN	10A	Instrument Panel Cluster, Front Passenger Door Module (FPDM), Tail Lamp Assembly-Right, Marker Lamp-Right, Park/Turn Signal Lamp-RF
HVAC	30A	HVAC Control Module
RR FOG LP Relay	--	RR FOG LP Fuse
AUX PWR 1 Fuse	20A	Auxiliary Power Outlet-Front, Auxiliary Power Outlet-Console
IGN 0 Fuse	10A	Automatic Transmission, A/T Shift Lock Actuator, Powertrain Control Module (PCM), and (export only with BAE) Theft Deterrent Control Module
4WD Fuse	15A	Transfer Case Shift Control Switch, Automatic Level Control (ALC) Compressor, Front Axle Actuator
TBC IG Fuse	3A	Body Control Module (BCM)
BRAKE Fuse	10A	Electronic Brake Control Module (EBCM)
TBC RUN Fuse	3A	Body Control Module (BCM)

G00351338

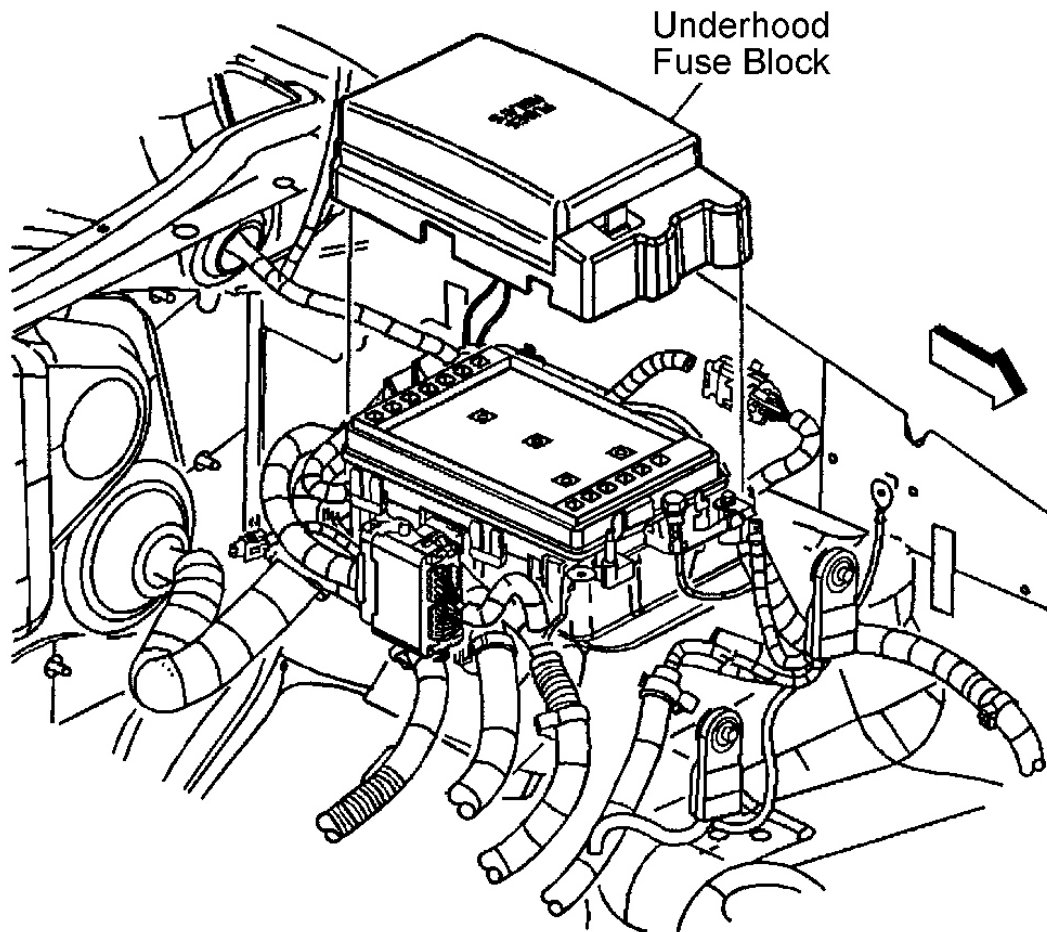
**Fig. 4: Rear Fuse Block Legend (2 Of 2)**  
 Courtesy of GENERAL MOTORS CORP.

### UNDER-HOOD FUSE/RELAY BOX

## 2003 Isuzu Ascender

2003-04 ELECTRICAL Fuses & Circuit Breakers - Ascender

**NOTE:** Under-hood fuse/relay box is located under the hood in the engine compartment on the driver's side of the vehicle. See Fig. 5.

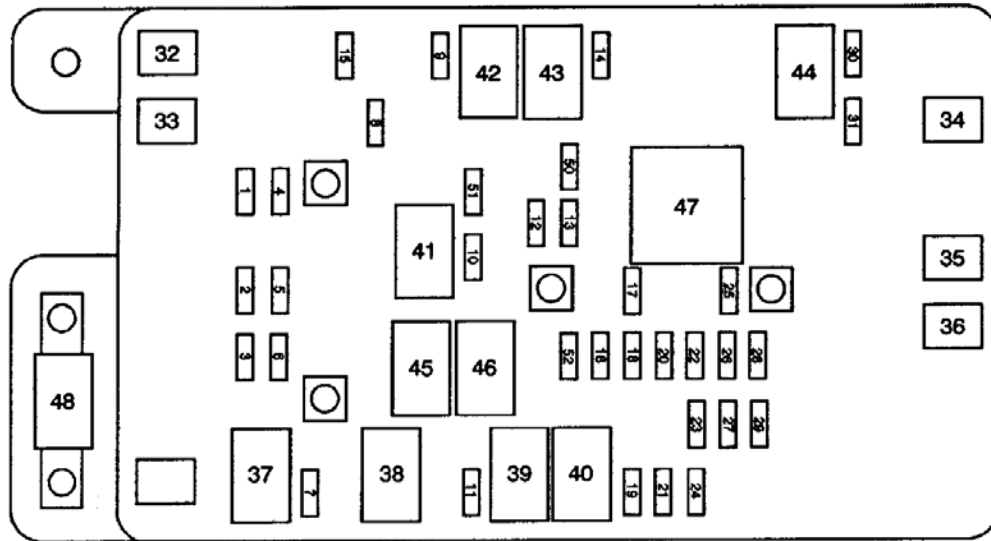


G00351328

**Fig. 5: Locating Underhood Fuse Block**  
Courtesy of GENERAL MOTORS CORP.

## 2003 Isuzu Ascender

### 2003-04 ELECTRICAL Fuses & Circuit Breakers - Ascender



#### MINIFUSES

- 1 - ECAS (30A)
- 2 - HI HDLP-RT (10A)
- 3 - LOW HDLP-RT (10A)
- 4 - TRLR B/U (10A)
- 5 - HI HDLP-LT (10A)
- 6 - LOW HDLP-LT (10A)
- 7 - WASH (20A)
- 8 - ATC (25A)
- 9 - W/S WASH (15A)
- 10 - PCM B (20A)
- 11 - FOG LP (10A)
- 12 - ST/LP (25A)
- 13 - CIGAR (20A)
- 14 - COILS (10A)
- 15 - RIDE (10A)
- 18 - TBC IGN 1 (10A)
- 17 - CRANK (10A)
- 18 - PSIR (10A)

- 19 - ELEK BRK (30A)
- 20 - FAN (10A)
- 21 - HORN (15A)
- 22 - IGN E (10A)
- 23 - ETC (10A)
- 24 - IPC/DIC (10A)
- 25 - BTSI (10A)
- 26 - ENG 1 (10A)
- 27 - BACK UP (15A)
- 28 - PCM 1 (15A)
- 29 - O2 (10A)
- 30 - A/C (10A)
- 31 - TBC 1 (10A)
- 50 - TRLR TRN (10A)
- 51 - TRLL TRN (10A)
- 52 - FLASH (25A)

#### J-CASE FUSES

- 32 - TRAILER (30A)
- 33 - ABS (60A)
- 34 - IGN A (40A)
- 35 - BLOWER (40A)
- 36 - IGN B (40A)

#### MICRO RELAYS

- 37 - HDLP WASH
- 38 - REAR WASH
- 39 - FOG LP
- 40 - HORN
- 41 - F/PMP
- 42 - W/S WASH
- 43 - HDLP-HI
- 44 - A/C

#### SOLID STATE RELAYS

- 45 - FAN
- 46 - HDM

#### MINI RELAYS

- 47 - STARTER

#### MISCELLANEOUS

- 48 - I/P BATT (125A)

G00351329

**Fig. 6: Identifying Underhood Fuse Block Components**  
 Courtesy of GENERAL MOTORS CORP.

## 2003 Isuzu Ascender

### 2003-04 ELECTRICAL Fuses & Circuit Breakers - Ascender

Fuse	Rating	Description
ECAS Fuse	30A	Automatic Level Control Compressor
HI HDLP-RT Fuse	10A	Right high-beam headlamp
LOW HDLP-RT Fuse	10A	Right low-beam headlamp (daytime running lamp)
TRLR B/U Fuse	10A	Trailer Connector
HI HDLP-LT Fuse	10A	Left high-beam headlamp
LOW HDLP-LT Fuse	10A	Left low-beam headlamp (daytime running lamp)
WASH Fuse	20A	HDLP WASH Relay
ATC Fuse	25A	Transfer Case Shift Control Module, Transfer Case Encoder Motor
W/S WASH Fuse	15A	W/S WASH Relay
PCM B Fuse	20A	F/PMP Relay, Powertrain Control Module (PCM)
FOG LAMP Fuse	15A	FOG LP Relay
ST/LP Fuse	25A	Stoplamp Switch
CIGAR Fuse	20A	Data Link Connector (DLC), Cigar Lighter
COILS Fuse	10A	HDLP-HI Relay, Hi beam headlamps
RIDE Fuse	--	Not Used
TBC IGN 1 Fuse	10A	Body Control Module (BCM)
CRANK Fuse	10A	Powertrain Control Module
SIR Fuse	10A	Inflatable Restraint Sensing and Diagnostic Module (SDM)
ELEK BRK Fuse	30A	Trailer Brake Wiring
FAN Fuse	10A	FAN Relay (Fan Driver Module)
HORN Fuse	15A	HORN Relay
IGN E Fuse	10A	IGN 1 Relay, A/C Relay, Park/Neutral Position (PNP) Switch, Headlamp Leveling Actuators, Inverting Driver Module, Stop Lamp Switch, Traction Control Switch, Headlamp Leveling Switch, Instrument Panel Cluster, Turn Signal/Multifunction Switch, Inside Rearview Mirror

G00351330

**Fig. 7: Underhood Fuse Block Legend (1 Of 2)**  
 Courtesy of GENERAL MOTORS CORP.



## 2003 Isuzu Ascender

### 2003-04 ELECTRICAL Fuses & Circuit Breakers - Ascender

Fuse	Rating	Description
ETC Fuse	10A	Powertrain Control Module (PCM)
IPC/DIC Fuse	10A	Instrument Panel Cluster (IPC)
BTSI Fuse	10A	Stop lamp switch, A/T Shift Lock Actuator
ENG I Fuse	10A	EVAP Canister Purge Solenoid, EVAP Canister Vent Solenoid
BACK UP Fuse	15A	Park/Neutral Position (PNP) Switch
PCM I	15A	Powertrain Control Module (PCM), Fuel Injectors, Ignition Coils
O2 Fuse	10A	Heated Oxygen Sensors
A/C Fuse	10A	A/C Relay
TBC I Fuse	10A	Body Control Module (BCM), and (BAE only) Theft Deterrent Alarm and Theft Deterrent Module
TRLR RT TURN Fuse	10A	Trailer Connector
TRLR LT TURN Fuse	10A	Trailer Connector
FLASH Fuse	25A	Turn Signal/Hazard Flasher Module
TRAILER	30A	Trailer Connector
ABS Fuse	60A	Electronic Brake Control Module (EBCM)
IGN A Fuse	40A	Starter Relay, Ignition Switch
BLOWER Fuse	40A	Blower Motor Resistor Assembly (HVAC Manual), Blower Motor Control Processor (HVAC Auto)
IGN B Fuse	40A	Ignition Switch
HDLP WASH Relay	--	Headlamp Washer Pump
REAR WASH Relay	--	Rear Window Washer Fluid Pump
FOG LP Relay	--	Front Fog Lamps
HORN Relay	--	Horns
F/PMP Relay	--	Fuel Pump
W/S WASH Relay	--	Windshield Washer Fluid Pump
HDLP-HI Relay	--	Body Control Module (BCM)
A/C Relay	--	Headlamp - High Beam - Left
FAN Relay	--	Engine Cooling Fan
HDM Relay	--	Headlamp Driver Module; low beam headlamps (daytime running lamps)
STARTER Relay	--	Starter Solenoid
I/P BATT Fuse	125A	Fuse Block-Rear

G00351331

**Fig. 8: Underhood Fuse Block Legend (2 Of 2)**  
**Courtesy of GENERAL MOTORS CORP.**